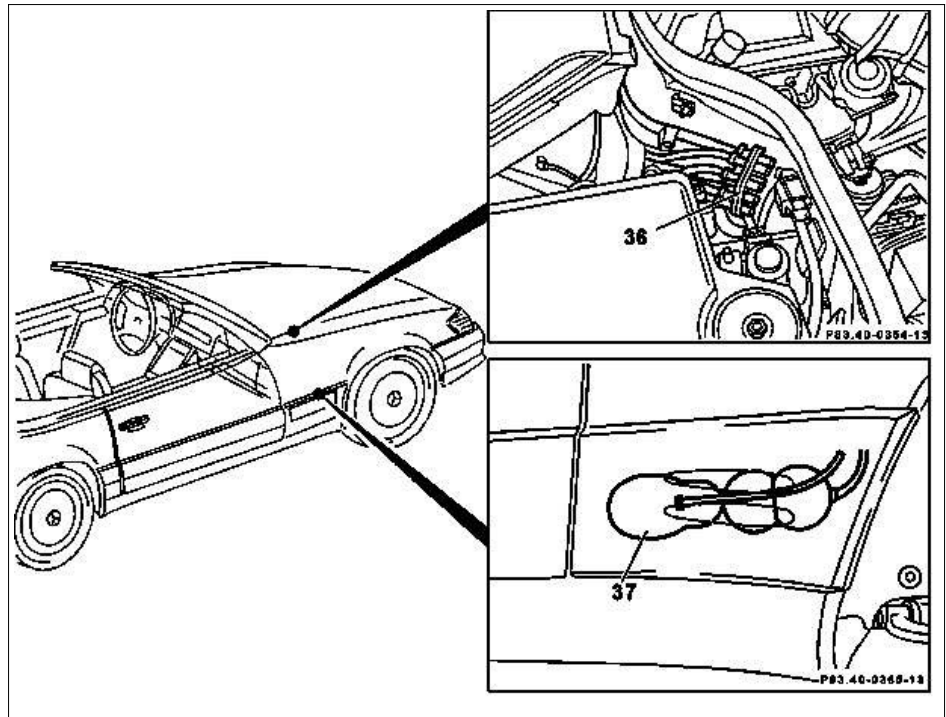


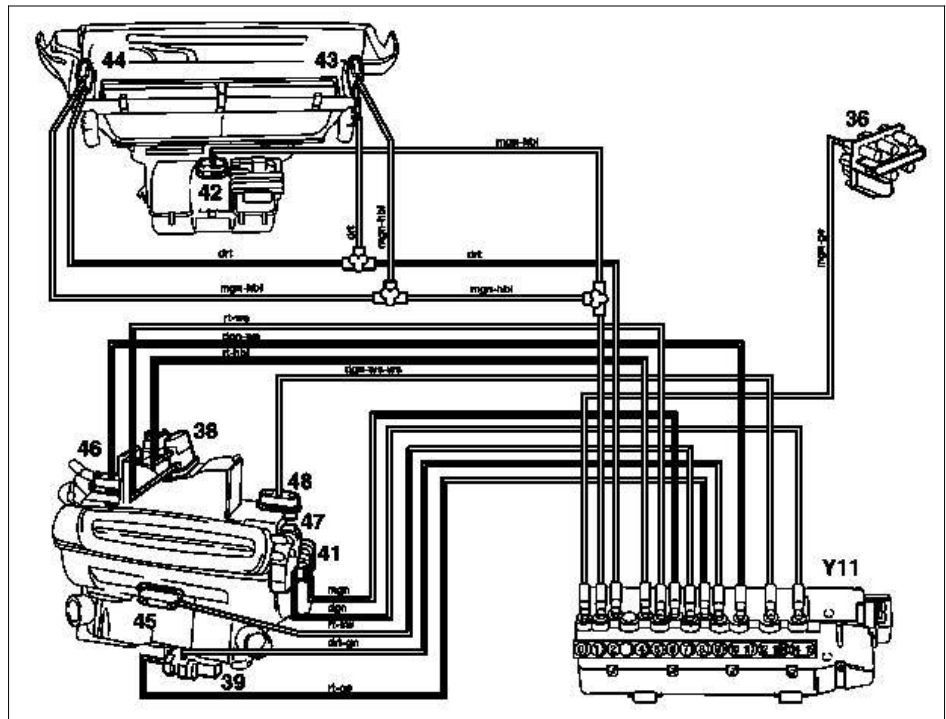
- 36 Vacuum valve block
37 Vacuum reservoir



P83.40-0366-06

- 36 Vacuum distribution block
38 Defroster nozzle flap vacuum element
39 Footwell flap vacuum element
41 Center nozzle diverter flap vacuum element
42 Recirculated air flap vacuum element
43 Left main air flap vacuum element
44 Right main air flap vacuum element
45 Center nozzle blend flap vacuum element
46 Left side air outlet vacuum element (open/close)
47 Center nozzle vacuum element (open/close)
48 Right side air outlet vacuum element (open/close)
Y11 Switchover valve block

hbl	light blue	rt	red
drt	dark red	ws	white
ge	yellow	dgn	dark green
mgn	medium green	gt	gray
gr	gray	sw	black



P83.40-0353-06