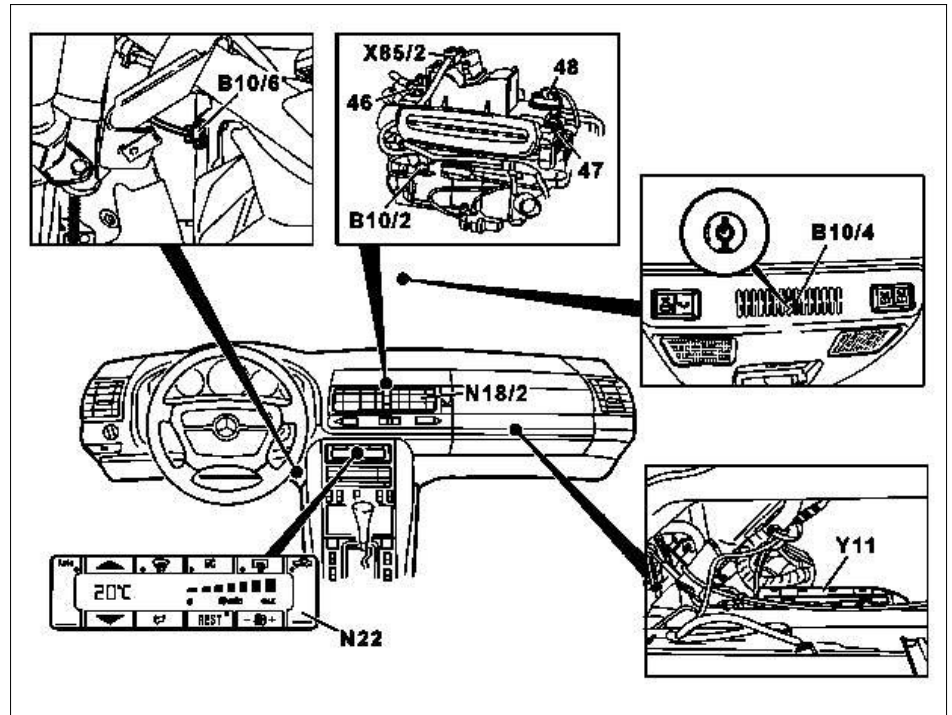


Location of components in passenger compartment

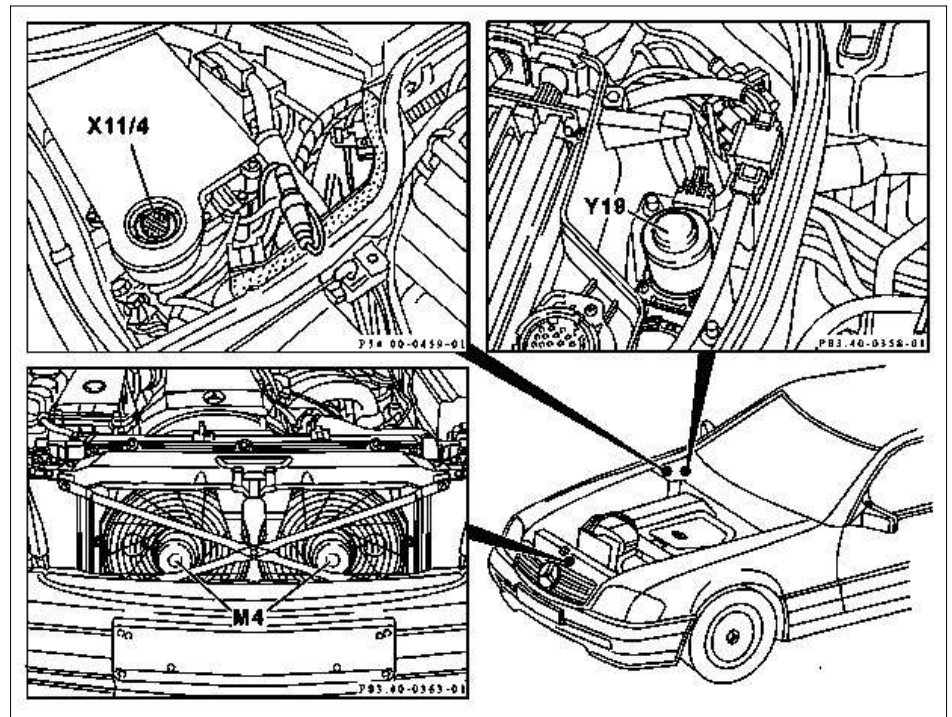
- B10/2 Heater core temperature sensor
 B10/4 In-car temperature sensor (with aspirator blower)
 B10/6 Evaporator temperature sensor
 N18/2 Center and side air outlet flap control module
 N22 A/C pushbutton control module (automatic A/C)
 Y11 Switchover valve block



P83.40-0360-06

Location of components in engine compartment

- M4 Auxiliary fan
 X11/4 Data link connector
 Y19 Automatic A/C mono valve



P83.40-0361-06