

MODEL 170, 202, 208, 210 with ENGINE 111

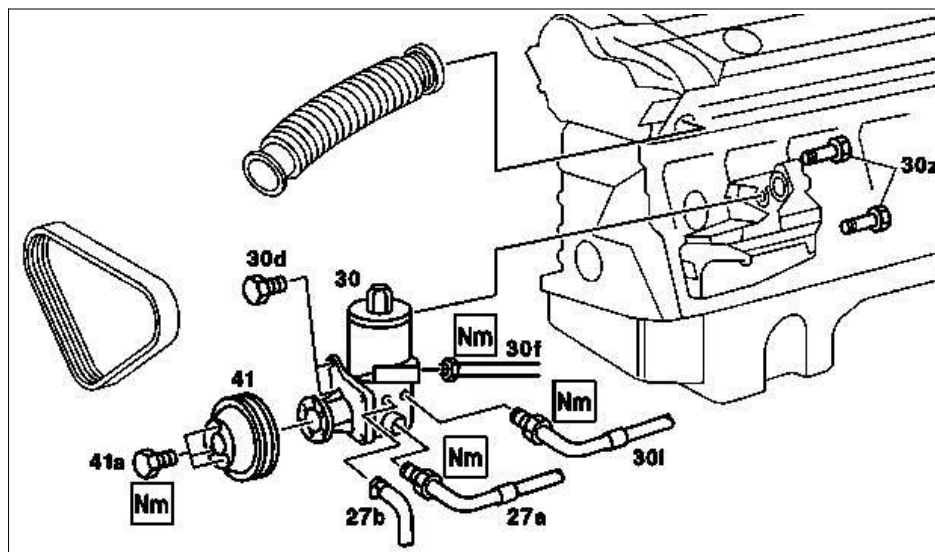
MODEL 129, 140 with ENGINE 104, 119, 120

MODEL 202, 210 with ENGINE 604, 605

MODEL 140, 210 with ENGINE 606

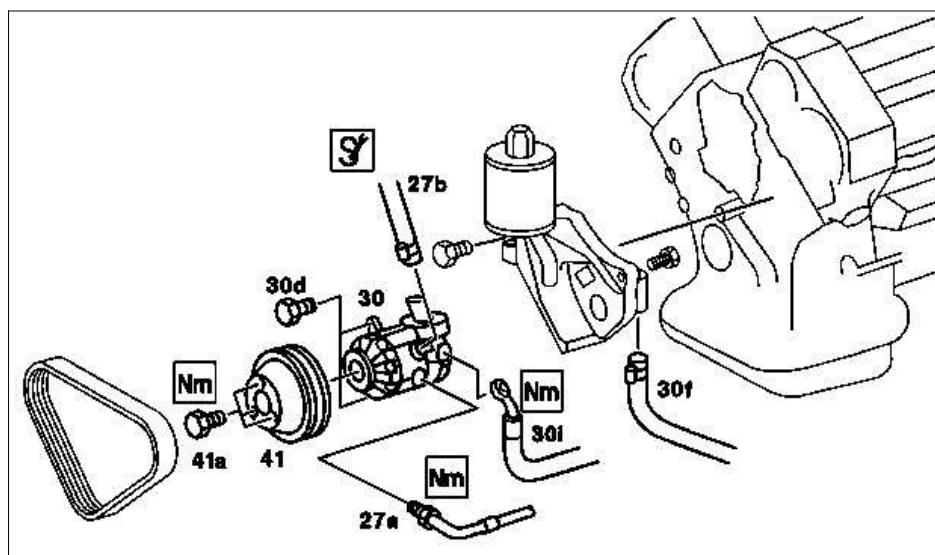
MODEL 210 with ENGINE 602

4-, 5-, and 6-cylinder engines

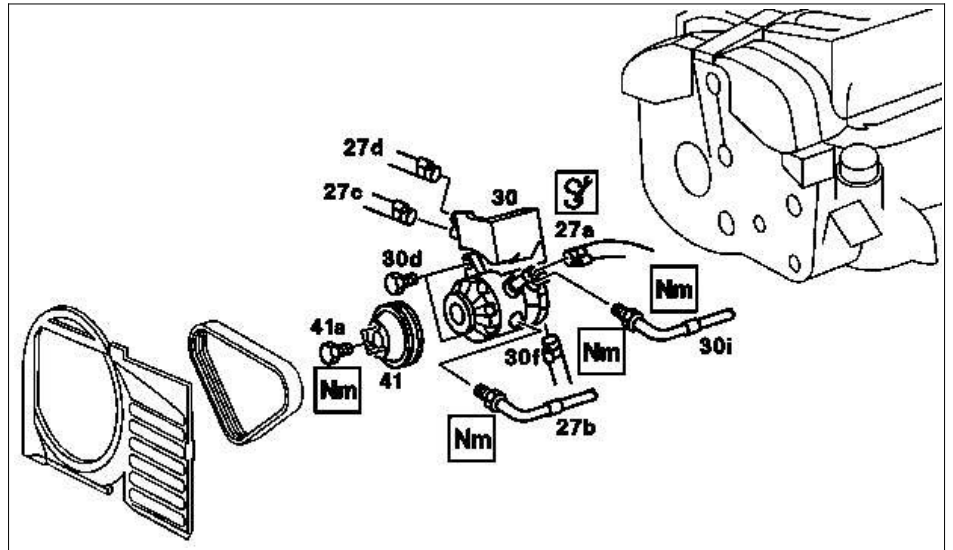


P40.30-0296-05

8-cylinder engines



P40.30-0297-05



P40.30-0298-05

☒ ☒	Remove/install		
1.1	Extract oil from supply reservoir	☒ Model 129140, 170, 202, 208 with and without level control, Model 210 without level control	*210589007100
2.1	Detach feed line from reservoir	☒ Model 210 with level control	*000589403700
3	Depending on the engine variant, remove detachable parts (e.g. air intake hose, fan cowl, distributor, etc.) to expose the power steering pump		
4	Remove poly-V belt	M103 M104 M111 M119 M120 M601, 603 M604, 605,606	ra13001033420x ra13001041200x AR13.22-P-1202A <b>ra13001193420x</b> AR13.22-P-1202AO AR13.22-P-1202HW AR13.22-P-1202HA
5.1	On ZF-power steering pumps, detach belt pulley (41)	i On LUK-power steering pumps the belt pulley is shrunk-on ☒ Nm	*603589004000 *BA46.30-P-1001-01A
6	Unscrew high pressure expansion hose (30i) and return line (30f)	i Seal line connections with blind plugs Nm High-pressure stretch hose Nm Return line on model 129, 140, 202, 208	*BA46.30-P-1003-01A *BA46.30-P-1002-01A
7.1	Detach high-pressure hose (27a) and intake duct (27b) on tandem pump	Vehicles with level control Seal line connections with blind plugs ☒ Seal intake line with clamp Nm High-pressure hose	*000589403700 *BA46.30-P-1004-01A
8.1	Detach oil lines (27b, 30f) to oil cooler pipe	Model 170	
8.2	Detach oil lines (27c, 27d)	Model 140 with 12-cylinder	
9	Detach power steering pump (30)	Nm i On models 129 and 140 with 8-cylinder engine, remove power steering pump with beam carrier, then detach power steering pump or reservoir from beam carrier	*BA46.30-P-1005-01A
10	Install in the reverse order		
11	Fill power steering pump and bleed	Models 129, 140, 170, 202, 208 Model 210	<b>AR46.30-P-0010A</b> AR46.30-P-0010B

**Nm** Power steering pump

Number	Designation		Model 129.058/ 060/061/063/ 066/067/076	Model 140	
BA46.30-P-1001-01A	Bolt on belt pulley	Nm	30	30	
BA46.30-P-1002-01A	Return line to power steering pump	Nm	40	40	
BA46.30-P-1003-01A	High-pressure expansion hose to power steering pump	M14 × 1.5	Nm	-	-
		M16 × 1.5	Nm	45	50
BA46.30-P-1004-01A	High-pressure hose, tandem pump	Nm	25	25	
BA46.30-P-1005-01A	Screw, power steering pump to cylinder liner collar seat or crankcase	Nm	25	25	

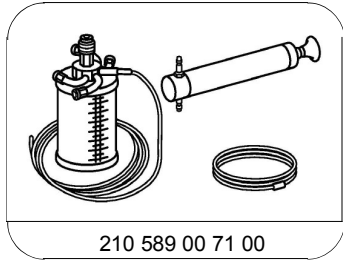
#### Power steering pump

Number	Designation		Model 170	Model 202.018/020/022/ 023/024/025/028/078/ 080/082/083/085/120/ 121/122/125/128/180/ 182/188	
BA46.30-P-1001-01A	Bolt on belt pulley	Nm	-	30	
BA46.30-P-1002-01A	Return line to power steering pump	Nm	-	40	
BA46.30-P-1003-01A	High-pressure expansion hose to power steering pump	M14 × 1.5	Nm	-	30
		M16 × 1.5	Nm	45	50
BA46.30-P-1004-01A	High-pressure hose, tandem pump	Nm	25	25	
BA46.30-P-1005-01A	Screw, power steering pump to cylinder liner collar seat or crankcase	Nm	25	25	

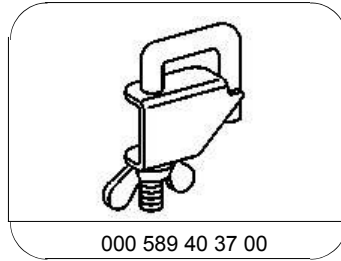
#### Power steering pump

Number	Designation		Model Series 208.335/ 345/ 345/347/ 445/447	Model 210.003/004/010/ 015/017/020/025/035/ 037/045/053/055/072/ 210/215/217/225/235/ 237/245/272/610/617
BA46.30-P-1001-01A	Bolt on belt pulley	Nm	-	30
BA46.30-P-1002-01A	Return line to power steering pump	Nm	40	-

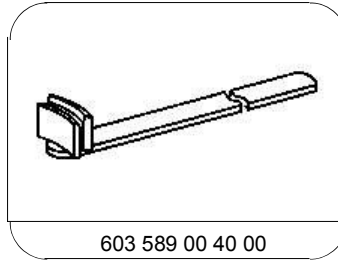
BA46.30-P-1003-01A	High-pressure expansion hose to power steering pump	M14 × 1.5	Nm	30	-
		M16 × 1.5	Nm	40	45
BA46.30-P-1004-01A	High-pressure hose, tandem pump		Nm	25	25
BA46.30-P-1005-01A	Screw, power steering pump to cylinder liner collar seat or crankcase		Nm	25	25



Hand pump



Clamping device



Counterholder