

MODEL 170, 202, 208 with ENGINE 111
 MODEL 129, 140 with ENGINE 104, 119, 120
 MODEL 202 with ENGINE 604, 605, 611
 MODEL 140 with ENGINE 606

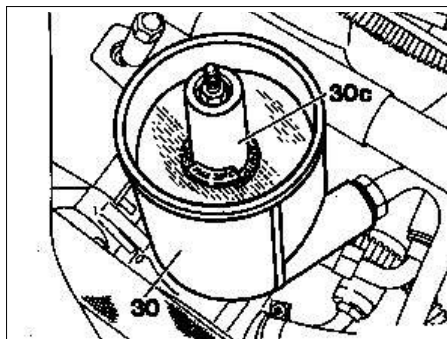
left side

30 Expansion reservoir

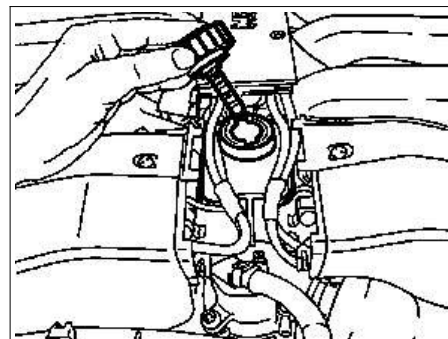
30c Plastic sleeve

Right-hand side

Shown on ENGINE 120




P46.00-0200-01





P46.00-0201-01

Modification notes

23.4.06	Document adapted to the revised procedure		
---------	---	--	--

	Fill		
	Risk of injury to skin or eyes caused by hydraulic fluid spraying out under high pressure. Risk of poisoning caused by swallowing hydraulic fluid	Depressurize the hydraulic system completely before starting any work on the system. Wear protective clothing and safety glasses.	AS00.00-Z-0013-01A
	Risk of injury caused by fingers being pinched or crushed when removing, installing or aligning hoods, doors, trunk lids, liftgates or sliding roof	Keep body parts and limbs well clear of moving parts.	AS00.00-Z-0011-01A
	Risk of death caused by vehicle slipping or toppling off of the lifting platform.	Align vehicle between columns of vehicle lift and position four support plates at vehicle lift support points specified by vehicle manufacturer.	AS00.00-Z-0010-01A
1	Hoist vehicle with lifting platform until wheels are free		
2	Fill expansion reservoir (30) with MB steering gear oil	<p>⚠ Do not start the engine! If the engine is started there is a risk of air entering the hydraulic steering system, which is then extremely difficult to remove.</p> <p>i Fill the expansion reservoir (30) of the power steering to approx. 10 mm below the upper edge of the reservoir with MB steering gear oil.</p> <p>i Refill with MB-steering gear oil continuously until the oil level remains constant.</p> <p></p>	*BF46.20-P-1001-01A
	Bleeding		
3	Turn steering wheel from steering stop to steering stop	<p>⚠ Do not start the engine! If the engine is started there is a risk of air entering the hydraulic steering system, which is then extremely difficult to remove.</p> <p>i Turn steering wheel slowly from steering stop to steering stop until bubbles are no longer visible in the expansion reservoir (30).</p> <p>i Repeat turning the steering from stop to stop several times (up to 30 times). During this process, MB steering gear oil must be poured into the expansion reservoir (30) by a second person.</p>	
	Risk of accident caused by vehicle starting off by itself when engine is running. Risk of injury caused by contusions and burns during starting procedure or when working near the engine as it is running	Secure vehicle to prevent it from moving by itself. Wear closed and snug-fitting work clothes. Do not touch hot or rotating parts.	AS00.00-Z-0005-01A

4	Start engine without moving the steering	<p>i Allow engine to run for approx. 1 min at idle speed.</p> <p>i During this process, a second person must observe the oil level in the expansion reservoir (30) and add MB steering gear oil if necessary.</p>	
5	Turn steering wheel from steering stop to steering stop	<p>i When the engine is running turn the steering wheel slowly several times from steering stop to steering stop, meanwhile adding MB steering gear oil in expansion reservoir (30).</p> <p>i Repeat the procedure until the oil level in the expansion reservoir (30) remains constant and bubbles are no longer visible.</p>	
	Checking		
6	<p>Check oil level in the expansion reservoir (30) and fill up to the maximum fill level</p> <p>Power steering - checking and correcting oil level</p>	<p>i The oil level in the expansion reservoir (30) must always be filled up to the maximum.</p> <p>Model 129, 140, 208, 202 up to 31.8.95</p> <p>Model 170, 202 as of 1.9.95</p>	<p>AP46.00-P-4611BA</p> <p>AP46.00-P-4611BB</p>
7	Check steering system when engine is running for signs of leaks and proper function	i In the event of leakage, find and eliminate cause.	
8	Lower vehicle		

 **Steering gear**

Number	Designation		Model 129	Model 140	Model 170	
BF46.20-P-1001-01A	Power steering	Filling capacity	Liters	≈ 1,0	≈ 1,4	≈ 1,0
		MB steering gear oil	Sheet	BB00.40-P-0236-03 A	BB00.40-P-0236-03 A	BB00.40-P-0236-03 A

 **Steering gear**

Number	Designation		Model 202	Model 208	
BF46.20-P-1001-01A	Power steering	Filling capacity	Liters	≈ 1,0	≈ 1,0
		MB steering gear oil	Sheet	BB00.40-P-0236-03 A	BB00.40-P-0236-03 A