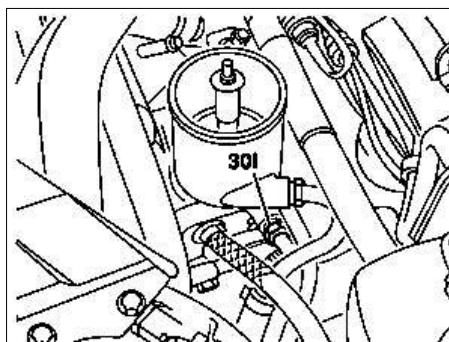
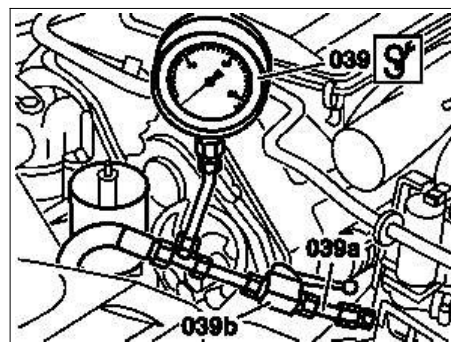


MODEL 129.058 /060 /061 /063 /066 /067 /076, 140, 170.435 /444 /445 /447 /449, 202.01 /020 /022 /023 /024 /025 /028 /07 /080 /082 /083 /085 /12 /18, 208.33 /34 /43 /44, 210.003 /004 /010 /015 /017 /025 /03 /045 /05 /072 /210 /215 /217 /225 /235 /245 /272 /610 /617

MODEL 202.133 /134 /193 /194 with CODE (480) Rear axle level control system



P46.30-2057-01



P46.30-0216-01

	Removing		
1.1	Extract fluid out of the power steering pump's fluid reservoir	Model 129, 140, 202, 208 with and without level control, Model 210 without level control or ADS	*210589007100
2.1	Detach feed line from reservoir	Model 210 with level control or ADS	*000589403700
3	Unscrew high pressure expansion hose (30i) on power steering pump	On vehicles with tandem pump, the testing unit must not be connected to the radial piston pump	
4	Connect testing unit (039) between power steering pump and high-pressure expansion hose (30i)	Testing unit Connection fitting Connection fitting Connection fitting, on power steering pumps with O-ring seal on pressure hose	*124589062100 *124589196300 *140589176300 *210589096300
5.1	Remove clamp from feed line from reservoir	Model 210 with level control or ADS	*000589403700
6	Fill supply reservoir	Model 129, 140, 208, model 202 up to 31.8.95 Model 170, 210, model 202 as of 1.9.95	AP46.00-P-4611BA AP46.00-P-4611BB
7	Risk of accident caused by vehicle starting off by itself when engine is running. Risk of injury caused by contusions and burns during starting procedure or when working near the engine as it is running Engine ON	Secure vehicle to prevent it from moving by itself. Wear closed and snug-fitting work clothes. Do not touch hot or rotating parts.	AS00.00-Z-0005-01A
8	Increase engine speed to approx. 1000 rpm		
	Checking		
9	Close tap (70b) and check maximum operating pressure	Perform test only for a short time, so that oil temperature does not increase beyond its permitted level Model 129, 140, 170, 202, 208, 210	*BE46.30-P-1001-01A
10	Engine OFF		
11.1	Extract fluid out of the power steering pump's fluid reservoir	Model 129, 140, 202, 208 with and without level control, Model 210 without level control or ADS	*210589007100
12.1	Detach feed line from reservoir	Model 210 with level control or ADS	*000589403700
13	Disconnect testing unit (039)		
14	Screw high pressure expansion hose (30i) onto the power steering pump	Nm	*BA46.30-P-1003-01A
15.1	Remove clamp from feed line from reservoir	Model 210 with level control or ADS	*000589403700
16	Fill power steering pump and bleed	Models 129, 140, 170, 202, 208 Model 210	AR46.30-P-0010A AR46.30-P-0010B
17	Inspect power-steering pump for leaks	Visual inspection	

Power steering pump test specifications

Number	Designation	Model 129.058/ 060/061/ 063/066	Model 129.067	Model 129.076	Model 140.028/ 032/033
BE46.30-P-1001-01A	Pressure in power steering pump bar	105-115	110-120	119-131	100-110

Power steering pump test specifications

Number	Designation	Model 140.04/05/ 06/07/13	Model 170.435/444/ 445/447/449	Model 202.018/ 020/022/ 120 up to 08/95	Model 202.018/020/ 022 as of 09/95, model 202.023/024/ 025/07/080/082/0 83/085
BE46.30-P-1001-01A	Pressure in power steering pump bar	119-131	92-100	90-100	90-100

Power steering pump test specifications

Number	Designation	Model 202.028/ 121/122/125 as of 09/95, 202.18/128	Model 202.028/ 125 up to 08/95	Model 202.121/ 122/180/ 182	Model 202.133/ 134/193/ 194
BE46.30-P-1001-01A	Pressure in power steering pump bar	105-115	105-115	90-100	107-115

Power steering pump test specifications

Number	Designation	Model 208.335/34 /435/445/447	Models 210.003/ 004/010/ 015/017/ 025/05/ 210/215/ 217/225/ 61	Model 210.035/037/23/ 045/245/248	Model 210.072 / 272
BE46.30-P-1001-01A	Pressure in power steering pump bar	90-100	107-115	92-100	110-120

 **Power steering pump**

Number	Designation			Model 129.058/ 060/061/063/ 066/067/076	Model 140
BA46.30-P-1003-01A	High-pressure expansion hose to power steering pump	M14 × 1.5	Nm	-	-
		M16 × 1.5	Nm	45	50

Nm Power steering pump

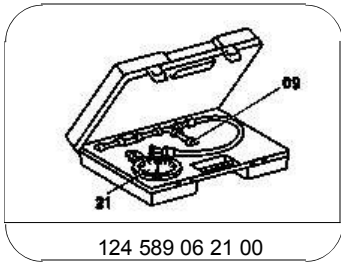
Number	Designation			Model 170	Model 202.018/020/022/ 023/024/025/028/078/ 080/082/083/085/120/ 121/122/125/128/180/ 182/188
BA46.30-P-1003-01A	High-pressure expansion hose to power steering pump	M14 × 1.5	Nm	-	30
		M16 × 1.5	Nm	45	50

Nm Power steering pump

Number	Designation			Models 202.133/134/ 193/194 with level control	Model Series 208.335/ 345/ 345/347/ 445/447
BA46.30-P-1003-01A	High-pressure expansion hose to power steering pump	M14 × 1.5	Nm	-	30
		M16 × 1.5	Nm	45	40

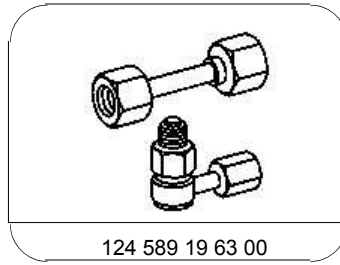
Nm Power steering pump

Number	Designation			Model 210.003/004/010/ 015/017/020/025/035/ 037/045/053/055/072/ 210/215/217/225/235/ 237/245/272/610/617
BA46.30-P-1003-01A	High-pressure expansion hose to power steering pump	M14 × 1.5	Nm	-
		M16 × 1.5	Nm	45



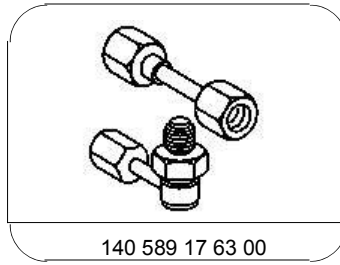
124 589 06 21 00

Tester



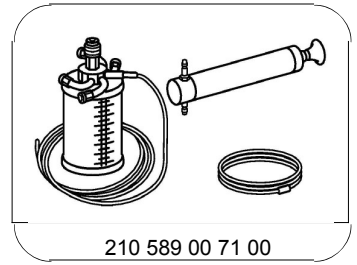
124 589 19 63 00

Connection fitting



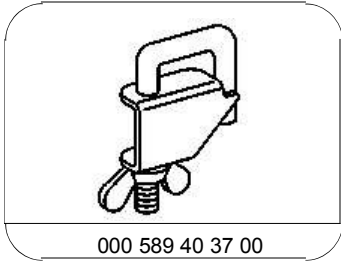
140 589 17 63 00

Connection fitting



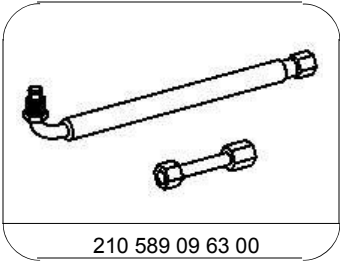
210 589 00 71 00

Hand pump



000 589 40 37 00

Clamping device



210 589 09 63 00

Connection fitting