

**MODEL 124, 140,  
202 up to 31.8.95**

**MODEL 208 with ENGINE 111**

**MODEL 129 with ENGINE 104, 119, 120**

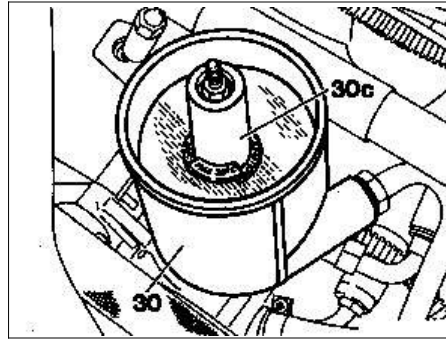
**Left side**

30 Reservoir

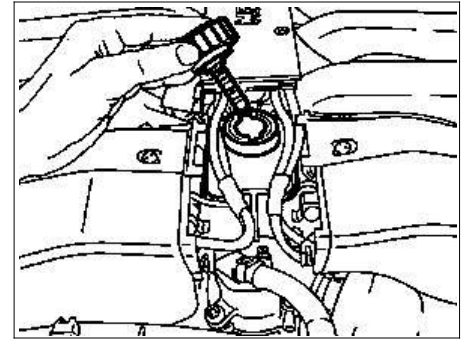
30c Plastic sleeve

**Right side**

*Illustrated on engine 120*



P46.00-0200-01



P46.00-0201-01

1	Check oil level, correct, if necessary	<p><b>i</b> Do not overfill reservoir, observe mark</p> <p><b>i</b> Oil level at oil temperature of approx. 20 °C: between min. and max. mark</p> <p><b>Engine 120:</b> an oil dipstick with "min" and "max" marks is located on the cap of the compensation reservoir; the associated temperatures are also specified here.</p> <p><b>MB steering gear oil</b></p>	*BF46.20-P-1001-01A
2	If fluid level is too low, determine cause and correct	Power steering pump (check tandem pump, high and low pressure lines and steering gear for leakage)	

**MB Steering gear**

Number	Designation		Model 124	Model 129	Model 140	
BF46.20-P-1001-01A	Power steering	Capacity	Liters	≈ 1.0	≈ 1.0	≈ 1.4
		MB steering gear oil	Sheet	BB00.40-P-0236-03 A	BB00.40-P-0236-03 A	BB00.40-P-0236-03 A

**MB Steering gear**

Number	Designation		Model 202	Model 208	
BF46.20-P-1001-01A	Power steering	Capacity	Liters	≈ 1.0	≈ 1.0
		MB steering gear oil	Sheet	BB00.40-P-0236-03 A	BB00.40-P-0236-03 A