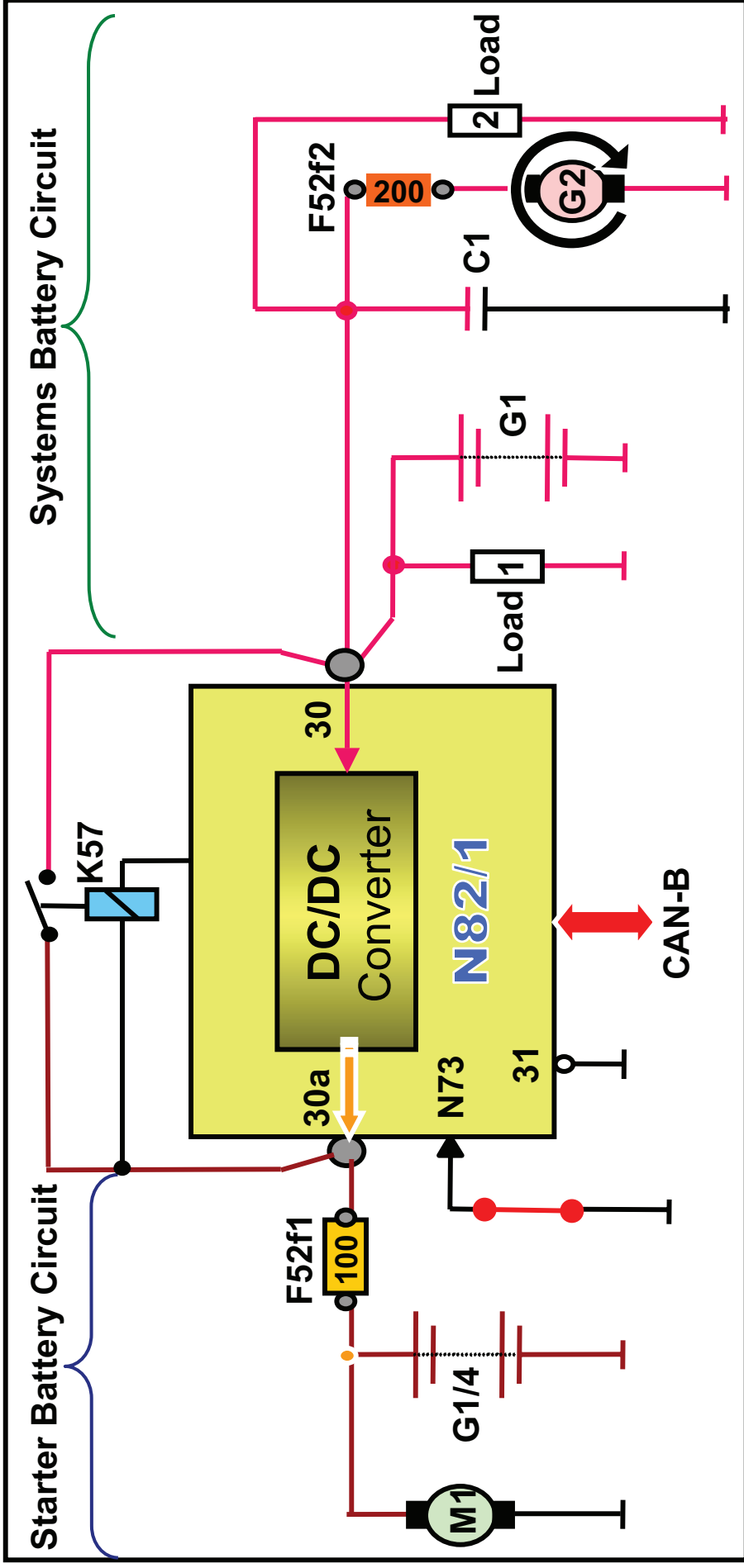


# Normal Operation (Charging)



- Engine running, alternator charges the systems battery directly
- Starter battery charged via the DC / DC converter (15A max), based on:
  - Starter battery voltage
  - Starter battery temperature calculated by N82/1 using:
    - Ambient temperature (B14)
    - Engine coolant temperature (B11/4)