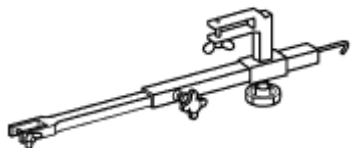


AR77.50-P-3000-01R	Move Vario roof into intermediate position and secure	Model 230	
--------------------	---	-----------	--



230 589 04 63 00

Support

1 Switch on ignition and actuate Vario roof switch until Vario roof has reached intermediate position.

i The illustration shows the Vario roof in the intermediate position (C-pillars are positioned at an angle of approx. 90°). The trunk lid is in the assembly position.



P77.50-2077-01

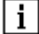

2 Secure Vario roof intermediate position. For this purpose **S** install support (1) on left mount for front catch (2) and left catch section on Vario roof front section (3).

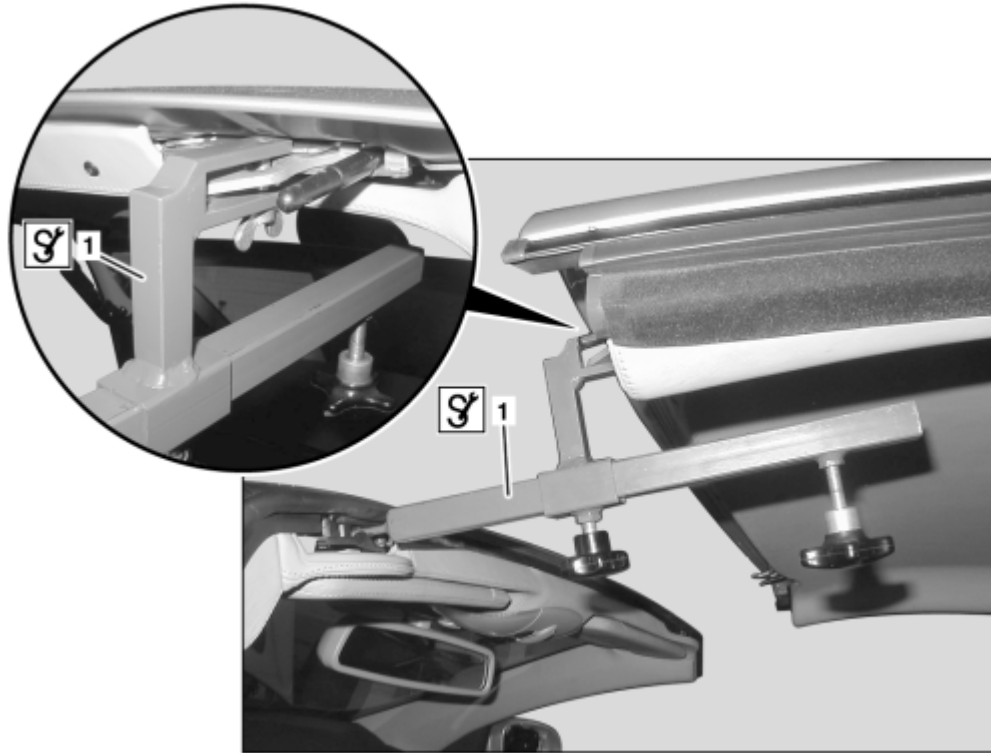
i **S** The support (1) can be shortened and extended to secure the intermediate position of the Vario roof.

3 Switch off ignition.



P77.50-2076-06

 Illustration shows detailed installation of  support (1).



P77.50-2198-06