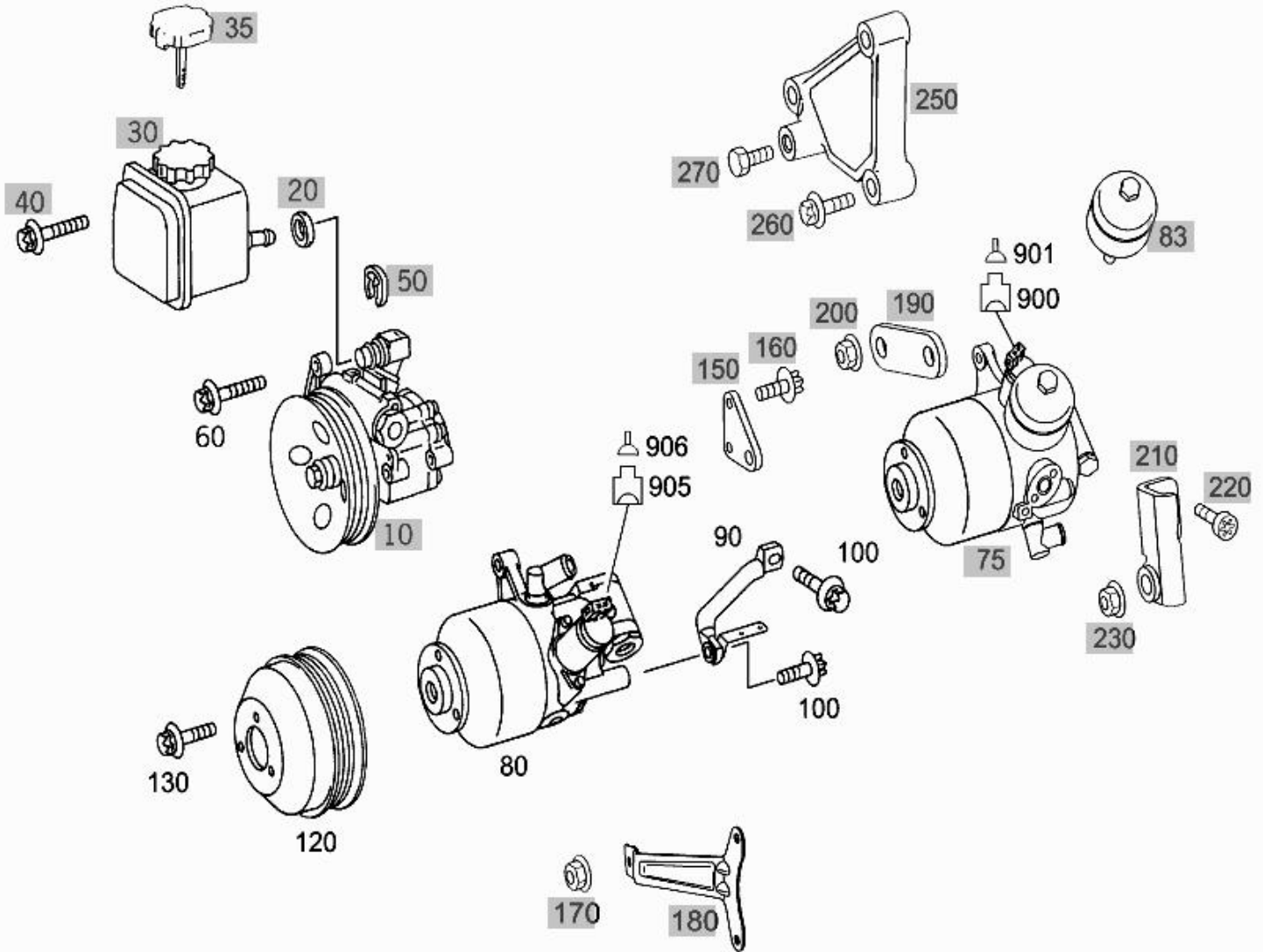



|                   |                     |                    |                           |
|-------------------|---------------------|--------------------|---------------------------|
| Mode              | MD mode             | Mod. des. overview | SL ROADSTER               |
| FIN/MD            | WDB 2304751F030799  | Catalog            | 65P                       |
| VIN               | WDBSK75F03F030799   | Major assembly     |                           |
| Sales designation | SL 500              | Major assembly MD  |                           |
| Assortment class  | Car                 | Group              | 46 - STEERING             |
| Market            | North America       | Subgroup           | 070 - POWER STEERING PUMP |
| Picture number    | B46070000008.080724 |                    |                           |



- Parts list -

|                   |                    |                    |                           |
|-------------------|--------------------|--------------------|---------------------------|
| Mode              | MD mode            | Mod. des. overview | SL ROADSTER               |
| FIN/MD            | WDB 2304751F030799 | Catalog            | 65P                       |
| VIN               | WDBSK75F03F030799  | Major assembly     |                           |
| Sales designation | SL 500             | Major assembly MD  |                           |
| Assortment class  | Car                | Group              | 46 - STEERING             |
| Market            | North America      | Subgroup           | 070 - POWER STEERING PUMP |

| Item no. | Part number     | Designation/description  | Quantity | Version |
|----------|-----------------|--|----------|---------|
| 60       | N 000000 001141 | HEXALOBULAR BOLT<br>AT TIMING CASE M8X34   | 002      |         |
| 80       | A 003 466 27 01 | HYDRAULIC PUMP<br>Replaced by: A 003 466 50 01   | 001      |         |
| 80       | A 003 466 50 01 | HYDRAULIC PUMP   | 001      |         |
| 90       | A 112 236 03 95 | STIFFENING<br>TO TANDEM PUMP AND ENGINE SUPPORT  | 001      |         |
| 100      | N 910143 008002 | HEXALOBULAR BOLT<br>TO TANDEM PUMP AND ENGINE SUPPORT<br>M8X25   | 002      |         |
| 120      | A 000 466 18 15 | PULLEY<br>TO TANDEM PUMP   | 001      |         |
| 130      | N 000000 000436 | HEXAGON HEAD BOLT<br>PULLEY TO HYDRAULIC PUMP M8X12  | 003      |         |
| 900      | A 049 545 99 28 | PLUG<br>INDUCTION THROTTLE VALVE ABS SUSP.<br>Y86/1<br>Code: 487   | 001      |         |
| 901      | A 019 545 15 26 | CONTACT BUSHING<br>INDUCTION THROTTLE VALVE ABS SUSP.<br>0.22-0.5 MM2 MLK1.2;Y86/1<br>Code: 487  | NB       |         |
| 901      | A 000 545 84 80 | GASKET<br>INDUCTION THROTTLE VALVE ABS SUSP.<br>y86/1<br>Code: 487   | NB       |         |
| 905      | A 140 545 44 28 | PIN BUSHING HOUSING<br>HYDRAULIC PUMP 2-PIN  | 001      |         |
| 906      | A 000 540 27 05 | REP.SET CONTACT<br>1.00 MM2 JPT<br> [019] CONNECTORS MUST ALSO BE ORDERED IN ACC. WITH THE TOTAL... | NB       |         |