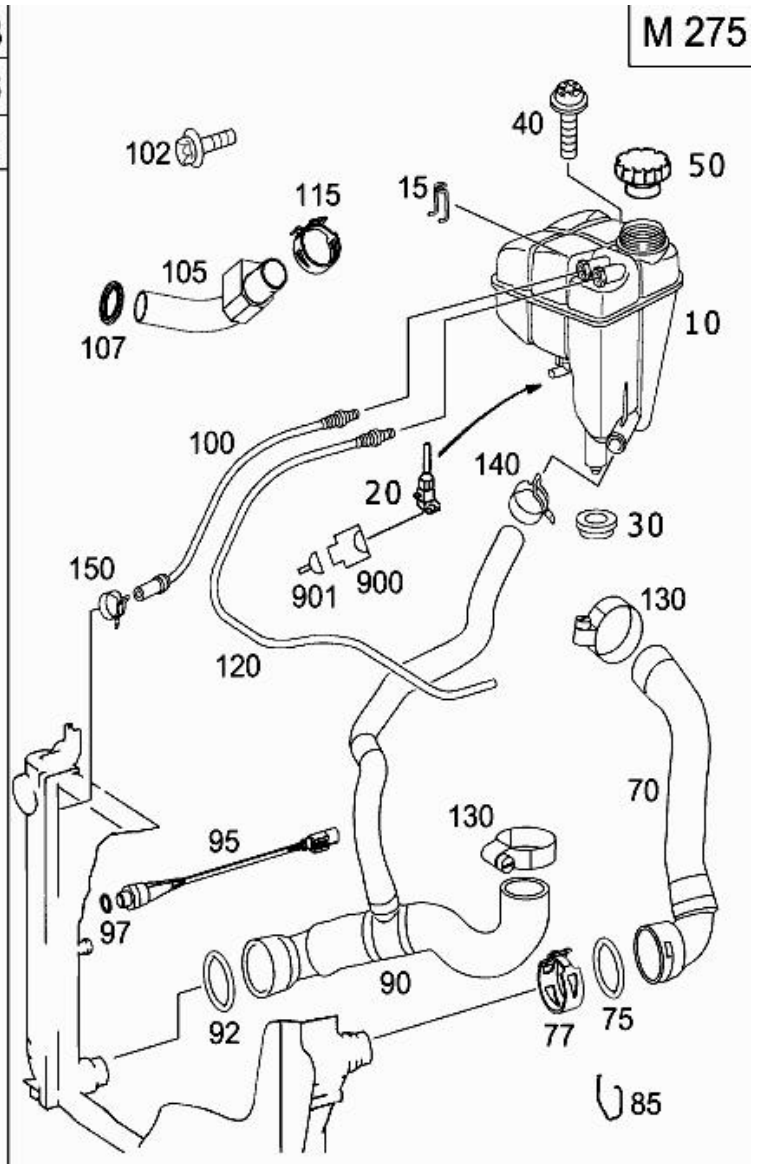
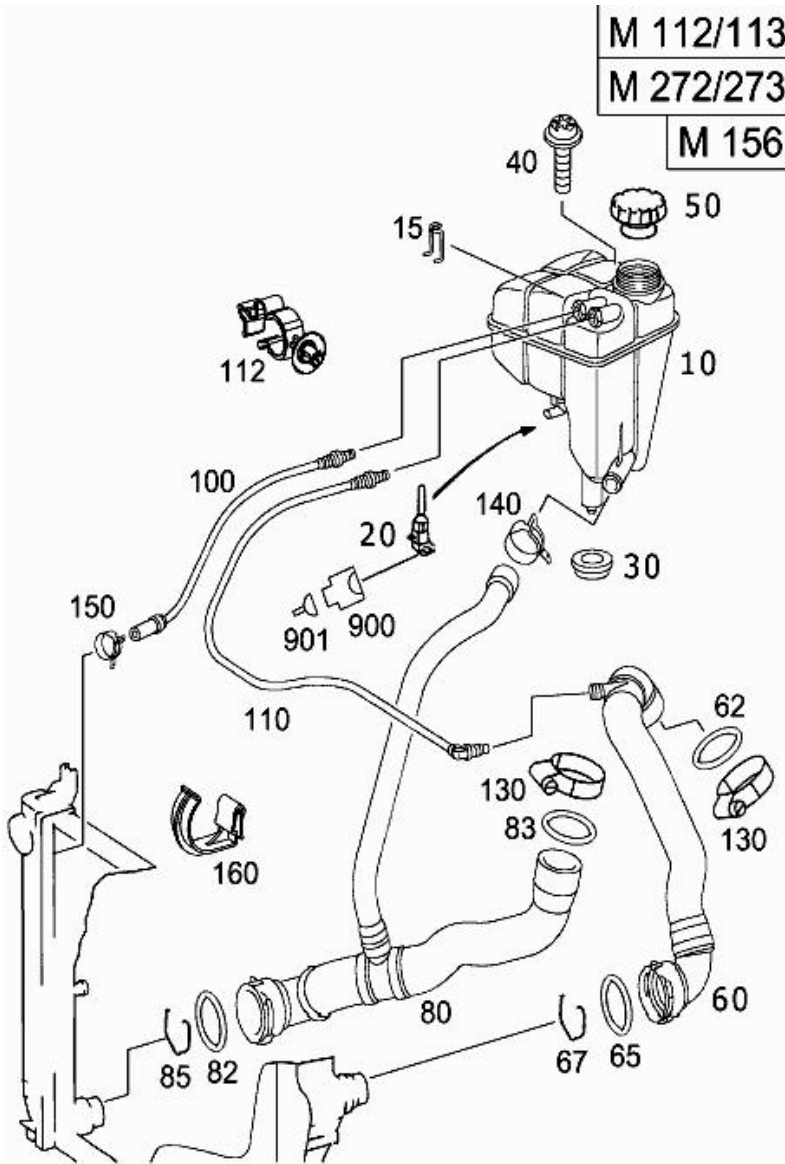



- Picture -

| | | | |
|-------------------|---------------------|--------------------|--|
| Mode | MD mode | Mod. des. overview | SL ROADSTER |
| FIN/MD | WDB 2304761F091538 | Catalog | 65P |
| VIN | WDBSK76F05F091538 | Major assembly | |
| Sales designation | SL 600 | Major assembly | MD |
| Assortment class | Car | Group | 50 - RADIATOR |
| Market | North America | Subgroup | 165 - EXPANSION TANK, MOUNTING AND HOSES |
| Picture number | B50165000207.101206 | | |



- Parts list -

| | | | |
|-------------------|--------------------|--------------------|---|
| Mode | MD mode | Mod. des. overview | SL ROADSTER |
| FIN/MD | WDB 2304761F091538 | Catalog | 65P |
| VIN | WDBSK76F05F091538 | Major assembly | |
| Sales designation | SL 600 | Major assembly | MD |
| Assortment class | Car | Group | 50 - RADIATOR |
| Market | North America | Subgroup | 165 - EXPANSION TANK,MOUNTING AND HOSES |

| Item no. | Part number | Designation/description | Quantity | Version |
|----------|-----------------|---|----------|---------|
| 10 | A 230 500 02 49 | DASHPOT EXPANSION TANK  [028] From Chassis: F 045575 From Date: 20/01/2003 | 001 | |
| 15 | A 007 993 40 01 | STOP SPRING TO CONNECTING SUPPORTS 8.8 MM | 001 | |
| 20 | A 220 545 00 24 | . SWITCH,AUTOMATIC COOLING WATER LEVEL INDICATOR | 001 | |
| 30 | A 201 504 01 12 | RUBBER MOUNT COMPENSATING RESERVOIR TO BODY | 002 | |
| 40 | N 910143 006000 | HEXALOBULAR BOLT COMPENSATING RESERVOIR TO BODY M6X12 | 001 | |
| 50 | A 000 501 82 15 | RADIATOR CAP EXPANSION TANK Optional with: A 210 501 06 15 Code: -P99 | 001 | |
| 50 | A 210 501 06 15 | CLOSING COVER EXPANSION TANK Optional with: A 000 501 82 15 Code: -P99 | 001 | |
| 70 | A 230 501 09 82 | COOLANT HOSE ON RADIATOR,TOP | 001 | |
| 75 | A 027 997 18 48 | . O-RING COOLING WATER HOSE | 001 | |
| 90 | A 230 501 46 82 | HOSE TO RADIATOR BOTTOM | 001 | |
| 100 | A 230 501 00 25 | VENTILATION LINE FROM EXPANSION TANK TO RADIATOR Code: -P99 | 001 | |
| 120 | A 230 501 01 25 | BREATHER PIPE COOLING WATER BREATHING | 001 | |
| 130 | N 000000 002775 | CLAMP COOLANT HOSE TOP TO THERMOSTAT 60/13 MM | 001 | |
| 140 | A 230 995 02 05 | SPRING HOSE CLAMP COOLING WATER HOSE TO EXPANSION TANK 29/34 MM | 001 | |
| 150 | N 000000 000665 | CLAMP DE-AERATION LINE TO RADIATOR 12-22 MM | 001 | |
| 210 | A 220 545 00 24 | . SWITCH,AUTOMATIC COOLING WATER LEVEL INDICATOR | 001 | |
| 220 | A 201 504 01 12 | RUBBER MOUNT COMPENSATING RESERVOIR TO BODY | 002 | |
| 230 | N 910143 006000 | HEXALOBULAR BOLT COMPENSATING RESERVOIR TO BODY M6X12 | 001 | |
| 240 | A 000 501 82 15 | RADIATOR CAP EXPANSION TANK Optional with: A 210 501 06 15 Code: -P99 | 001 | |

| | | | |
|-----|-----------------|---|-----|
| 240 | A 210 501 06 15 | CLOSING COVER EXPANSION TANK Optional with: A 000 501 82 15 Code: -P99 | 001 |
| 900 | A 168 540 01 81 | SOCKET HOUSING COOLANT LEVEL SWITCH 2 PIN MQS;S41 | 001 |
| 901 | A 008 545 63 26 | FEMALE CONTACT COOLANT LEVEL SWITCH 0.5 - 0.75 MM2 MQS;S41 | NB |
| 901 | A 000 545 69 80 | GASKET COOLANT LEVEL SWITCH 1.4-1.9 MM;S41 | NB |