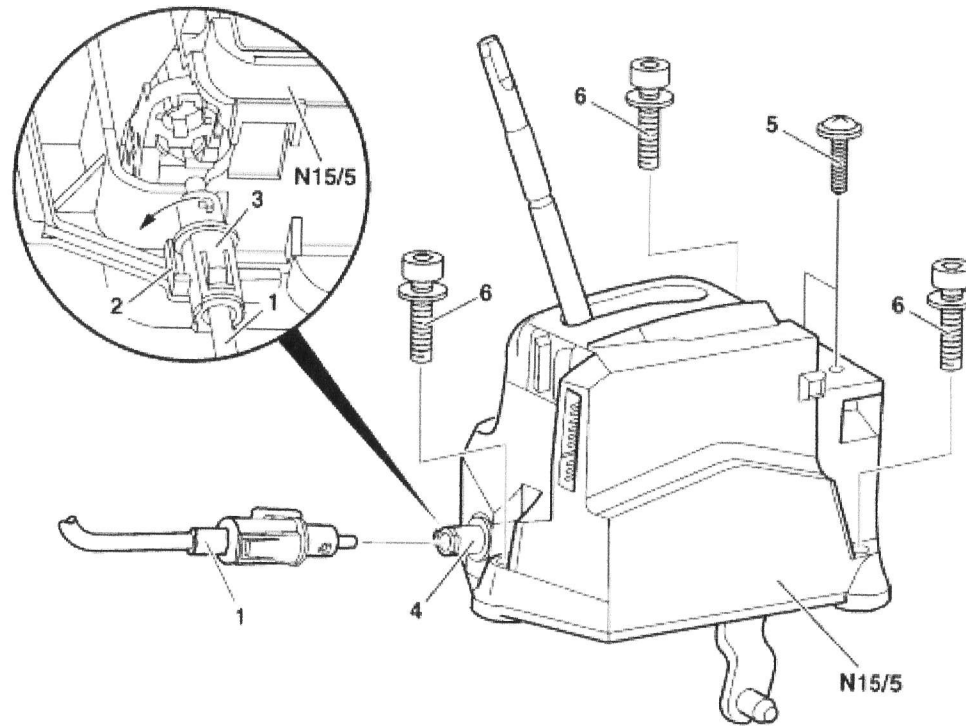


AR27.60-P-0901R	Remove/install electronic selector lever module (ESM)	9.1.06
-----------------	---	--------

**Transmission 722.6 in MODEL 230**






- 1 Ignition lock control cable
- 2 Locking plate
- 3 Clutch
- 4 Cable connection fitting
- 5 Bolt
- 6 Bolt

N15/5 Electronic selector lever module control unit



P27.60-2686-06

	<b>Remove/install</b>		
	Notes on self-locking nuts and bolts		AH00.00-N-0001-01A
	Information on preventing damage to electronic components due to electrostatic discharge		AH54.00-P-0001-01A
1	Unhook head on intermediate lever	See ↓	

		Remove/install and adjust shift rod:	
		Model 230	<a href="#">AR27.60-P-0990R</a>
2	Remove cover on center console	Model 230 up to 14.1.04	<a href="#">AR68.20-P-2350R</a>
		Model 230 as of 15.1.04	<a href="#">AR68.20-P-2350RA</a>
3	Remove bolts (5)	Only for model 230	
4	Remove bolts (6)	 On model 230 use Allen wrench with ball head.	
		 <b>Installation:</b> Replace self-locking bolts (6).	
			<a href="#">BA27.60-P-1001-02A</a>
5	Detach electric plugs on electronic selector lever module control unit (N15/5)		
6	Raise locking lug (2), press coupling (3) over the cable connection fitting (4) against the spring force, turn the coupling (3) through 90° (arrow) and detach ignition switch cable (1) from electronic selector lever module control unit (N15/5)		
7	Remove electronic selector lever module control unit (N15/5).	 On model 230 raise rear center console	
		 <b>Installation:</b> Pay attention to electrical lines.	
8	Install in the reverse order		
9	Read out fault memory with STAR DIAGNOSIS and erase if necessary.	STAR DIAGNOSIS diagnosis system	<a href="#">WE58.40-Z-1013-06A</a>
10	Carry out function check of electronic selector lever module control unit (N15/5)		

 **Tightening torques for floor shift**