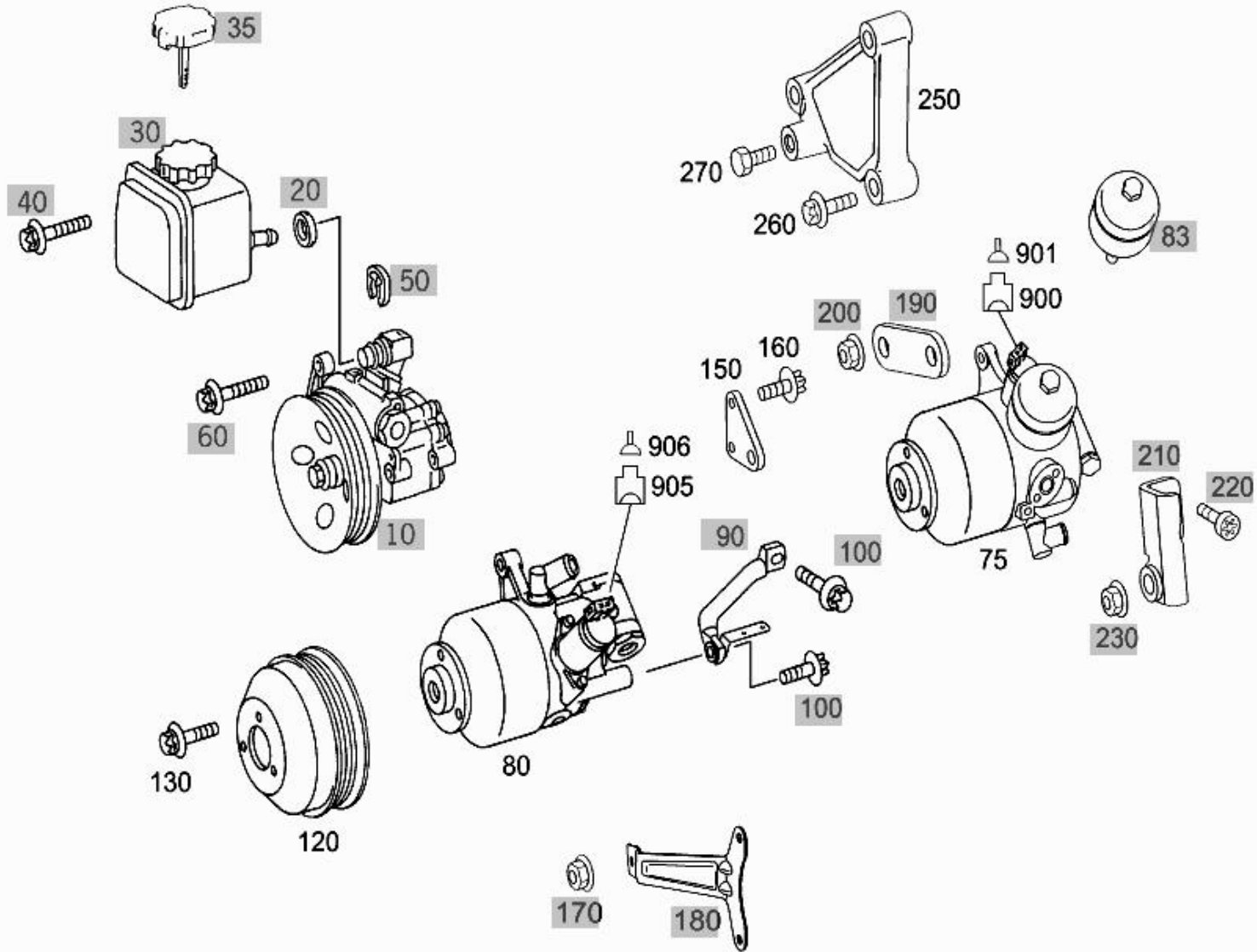


- Picture -

Mode	MD mode	Mod. des. overview	SL ROADSTER
FIN/MD	230476	Catalog	65P
VIN		Major assembly:	
Sales designation	SL 600	Major assembly MD	
Assortment class	Car	Group	46 - STEERING
Market	All	Subgroup	070 - POWER STEERING PUMP
Picture number	B46070000008.080724		



- Parts list -

Mode	MD mode	Mod. des. overview	SL ROADSTER
FIN/MD	230476	Catalog	65P
VIN		Major assembly:	
Sales designation	SL 600	Major assembly MD	
Assortment class	Car	Group	46 - STEERING
Market	All	Subgroup	070 - POWER STEERING PUMP

Item no.	Part number	Designation/description	Quantity	Version
75	A 005 466 10 01	TANDEM PUMP Replaced by: A 005 466 73 01 <input type="checkbox"/> [003] From Chassis: F 109966 From Date: 23/06/2005 E...	001	
75	A 005 466 73 01	HYDRAULIC PUMP <input type="checkbox"/> [003] From Chassis: F 109966 From Date: 23/06/2005 E...	001	
80	A 003 466 53 01	HYDRAULIC PUMP <input type="checkbox"/> [002] To Chassis: F 122820 To Date: 30/03/2006 Excep...	001	
120	A 000 466 10 15	PULLEY TO TANDEM PUMP	001	
130	N 000000 000436	HEXAGON HEAD BOLT PULLEY TO HYDRAULIC PUMP M8X12	003	
150	A 000 466 15 40	BRACKET TO FRONT PUMP	001	
160	N 910143 006001	HEXALOBULAR BOLT BRACKET TO PUMP M6X16	002	
250	A 000 466 32 40	BRACKET POWER STEERING PUMP Code: P99	001	
260	N 910143 008006	HEXALOBULAR BOLT BRACKET MOUNTING M8X45 Code: P99	003	
270	A 220 990 09 04	BOLT POWER STEERING PUMP TO BRACKET M8X55 Code: P99	002	
900	A 049 545 99 28	PLUG INDUCTION THROTTLE VALVE ABS SUSP. Y86/1 Code: 487	001	
901	A 019 545 15 26	CONTACT BUSHING INDUCTION THROTTLE VALVE ABS SUSP. 0.22-0.5 MM2 MLK1.2;Y86/1 Code: 487	NB	
901	A 000 545 84 80	GASKET INDUCTION THROTTLE VALVE ABS SUSP. y86/1 Code: 487	NB	
905	A 140 545 44 28	PIN BUSHING HOUSING HYDRAULIC PUMP 2-PIN	001	
906	A 000 540 27 05	ELECTRICAL CABLE 1.00 MM2 JPT <input type="checkbox"/> [019] CONNECTORS MUST ALSO BE ORDERED IN ACC. WITH THE TOTAL...	NB	