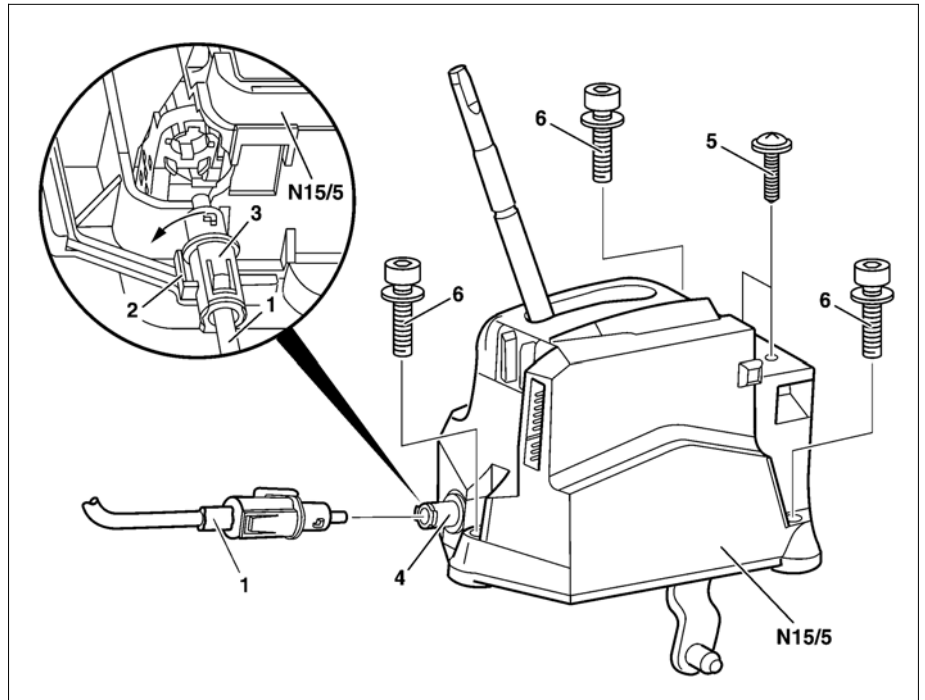


TRANSMISSION 722.9 in MODEL 230

- 1 Ignition lock control cable
- 2 Locking plate
- 3 Clutch
- 4 Cable connection fitting
- 5 Screw
- 6 Screw

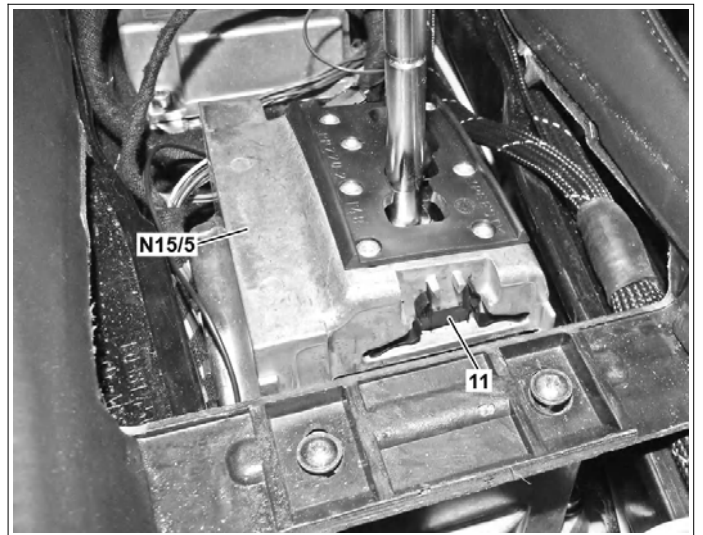
N15/5 Electronic selector lever module control unit



P27.60-2686-06


- 11 Retaining clip

N15/5 Electronic selector lever module control unit



P27.19-2385-11

	Remove/install		
	Notes on self-locking nuts and bolts		AH00.00-N-0001-01A
	Information on preventing damage to electronic components due to electrostatic discharge		AH54.00-P-0001-01A
1	Detach head from intermediate lever	See remove/install and adjust shift rod.	AR27.60-P-0990R
2	Remove cover on center console	Vehicles up to 14.1.04 Vehicles as of 15.1.04	AR68.20-P-2350R AR68.20-P-2350RA
3	Remove bolts (5)		
4	Remove bolts (6)	Use Allen wrench with ball head. 	*BA27.60-P-1001-02A
5	Release and disconnect electric plug connections on electronic selector lever module control unit (N15/5)		
6	Raise locking lug (2), press coupling (3) over the cable connection fitting (4) against the spring force, Turn the coupling (3) through 90° (arrow) and detach ignition switch cable (1) from the electronic selector lever module control unit (N15/5)		

7	Raise rear center console and remove electronic selector lever module control unit (N15/5)	<p>i Installation: Pay attention to electrical lines.</p> <p>i Installation: Model 230.470: When replacing the electronic selector lever module control unit (N15/5), attach the retaining clips (11) of the gate screen to the front and rear of the new part before installing.</p>	
8	Install in the reverse order		
9	<p> AD</p> <p>Read out and erase fault memory Connect STAR DIAGNOSIS and read out fault memory</p>		AD00.00-P-2000-04A
10	Carry out function check of electronic selector lever module control unit (N15/5)		

Nm Tightening torques for floor shift

Number	Designation		Transmission 722.9
BA27.60-P-1001-02A	Bolt, floor selector to body	Nm	6