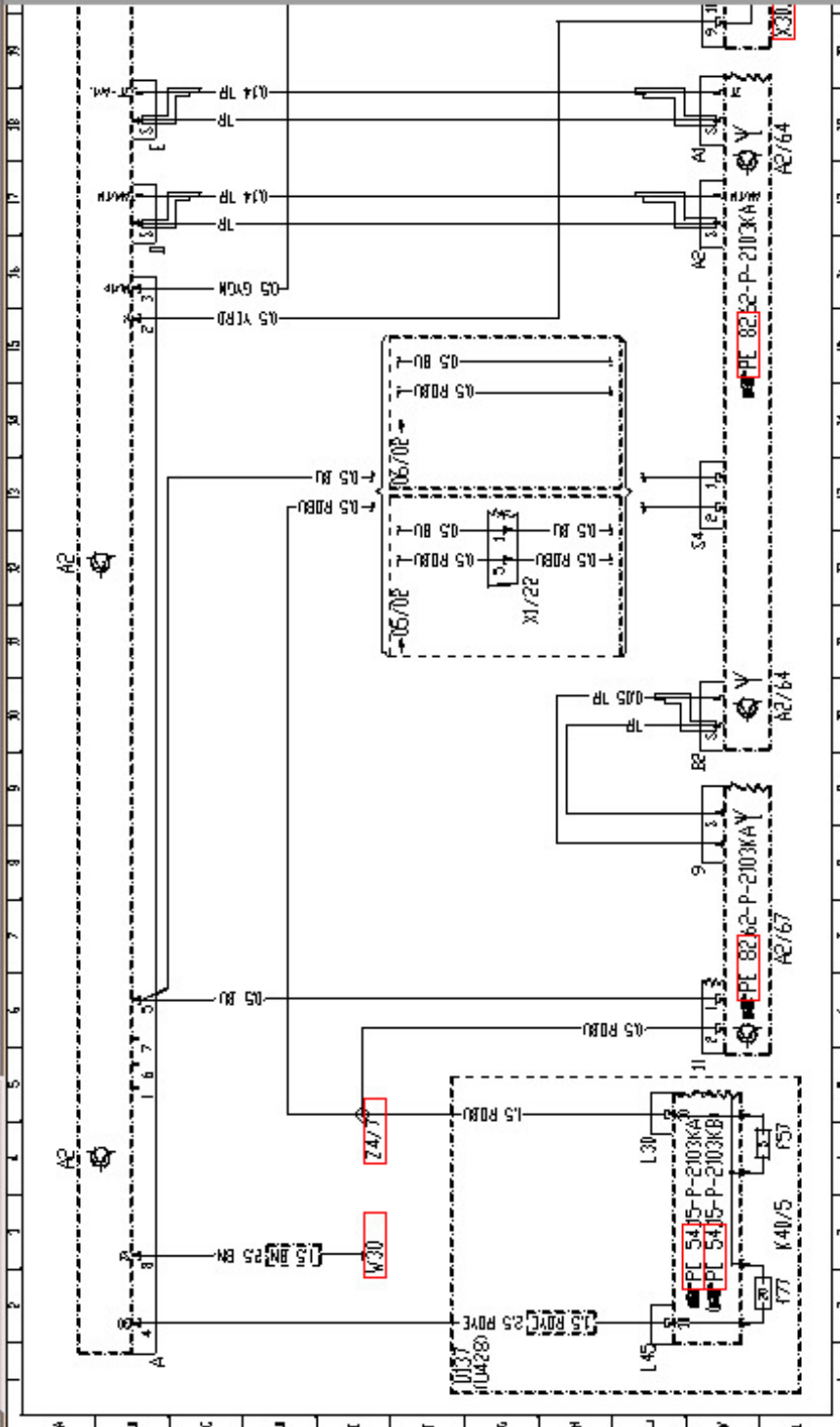


Werkstattinformationssystem Display Document

Sales designation: **SL 500** Vehicle ident. number: **WDB2304751F073762** Unit number: **113.963** Entry: Mod. Y.: Op. no.: **Gr.:**

PE82.60-P-2101-99KA **Wiring diagram of radio (RD) control unit** Full-size view Validity OFF Page: **1 / 1**



Legend selection

Item:	Radio
A2/6	CD player with changer
A2/64	Left antenna amplifier module
A2/67	Rear shelf antenna amplifier
A35/17	D2B telephone and TELE AID transmitter/receiver
H4/1	Left door speaker group
H4/1h1	Tweeter
H4/1h2	Woofer
H4/1x1	Left door speaker group connector

Item:

A2