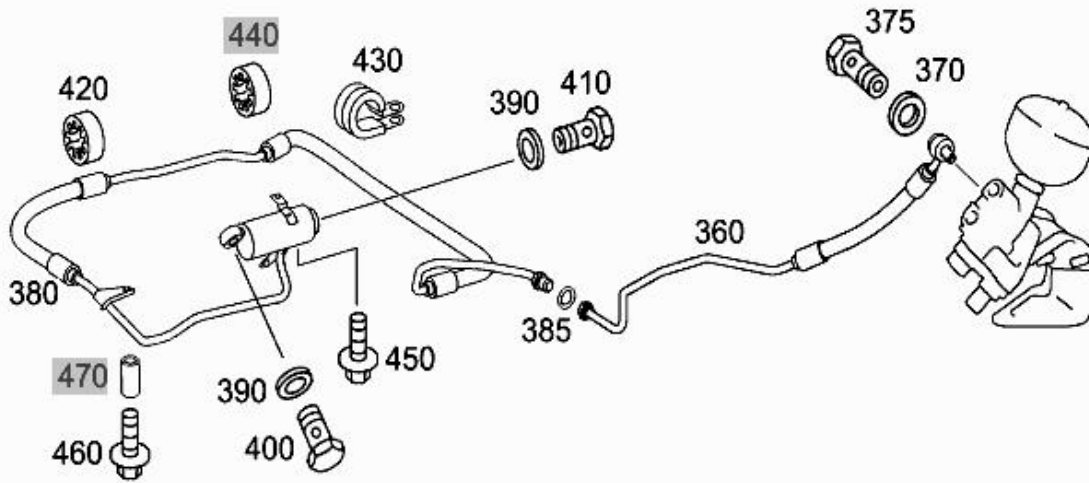


- Picture -

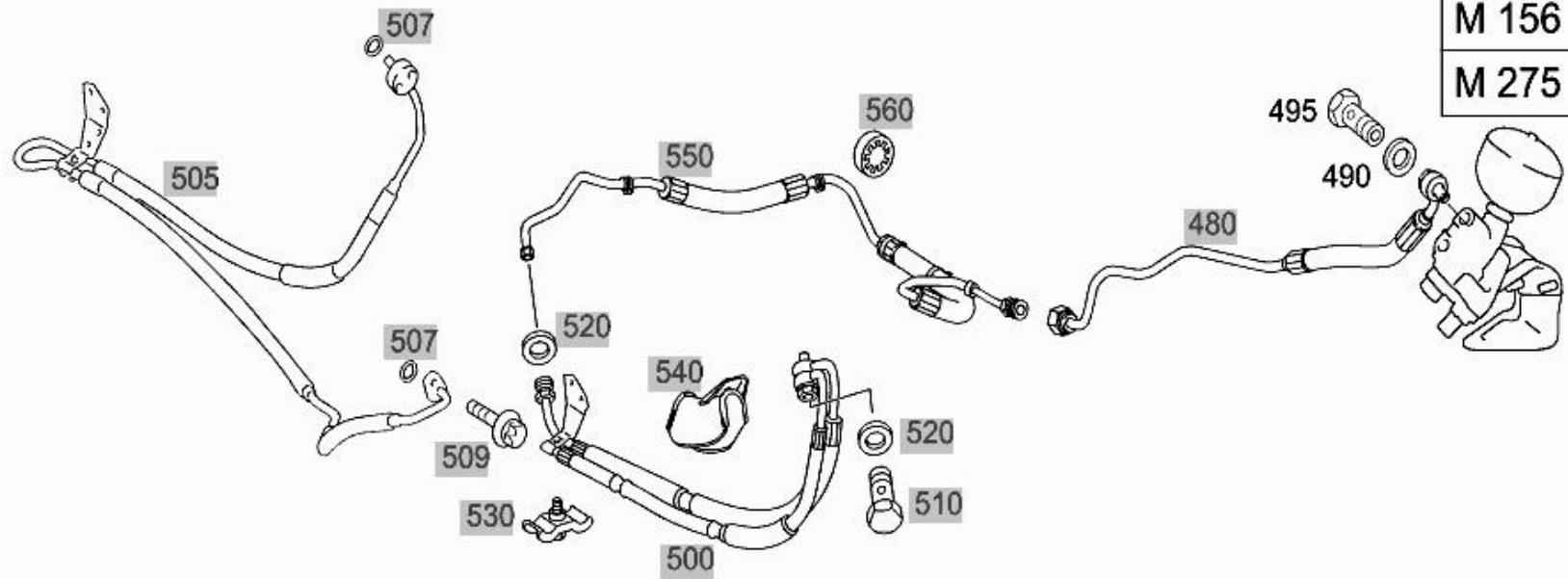
Mode	MD mode	Mod. des. overview	SL ROADSTER
FIN/MD	WDB 2304741F082474	Catalog	65P
VIN	WDBSK74F84F082474	Major assembly:	
Sales designation	SL 55 AMG	Major assembly MD	
Assortment class	Car	Group	32 - SPRINGS, SUSPENSION AND HYDRAULIC SYSTEM
Market	North America	Subgroup	290 - LINE ARRANGEMENT OF HYDRAULIC SYSTEM
Picture number	B32290000029.130821		



M 112

M 113

M 273



M 156

M 275

- Parts list -

Mode	MD mode	Mod. des. overview	SL ROADSTER
FIN/MD	WDB 2304741F082474	Catalog	65P
VIN	WDBSK74F84F082474	Major assembly:	
Sales designation	SL 55 AMG	Major assembly MD	
Assortment class	Car	Group	32 - SPRINGS, SUSPENSION AND HYDRAULIC SYSTEM
Market	North America	Subgroup	290 - LINE ARRANGEMENT OF HYDRAULIC SYSTEM

Item no.	Part number	Designation/description	Quantity	Version
10	A 230 997 59 82	CONNECTOR HOSE FROM RADIATOR TO Y-PIECE WITH TEMPERATURE SENSOR Code: 487	001	
20	A 230 997 60 82	CONNECTOR HOSE FROM RADIATOR TO RESERVOIR Code: 487 <input type="checkbox"/> [004] To Chassis: F 122820 To Date: 30/03/2006 Excep...	001	
30	A 220 327 03 42	PLATE FASTENING, LINES ACTIVE BODY CONTROL TO RADIATOR Code: 487	001	
40	N 910143 006001	HEXALOBULAR BOLT FASTENING, LINES ACTIVE BODY CONTROL TO RADIATOR M6X16 Code: 487	001	
50	A 004 997 74 90	CLAMP COOLER RETURN HOSE TO RESERVOIR 18.5 MM Code: 487	001	
60	A 230 997 66 82	CONNECTOR HOSE FROM VALVE BLOCK FRONT TO SUSPENSION STRUT FRONT RIGHT Code: 487 <input type="checkbox"/> [004] To Chassis: F 122820 To Date: 30/03/2006 Excep...	001	
70	A 100 997 08 81	GROMMET RIGHT Code: 487 <input type="checkbox"/> [004] To Chassis: F 122820 To Date: 30/03/2006 Excep...	001	
80	A 000 421 08 87	DUST CAP BLEEDER VALVE Code: 487	001	
90	A 230 997 67 82	CONNECTOR HOSE FROM VALVE BLOCK FRONT TO SUSPENSION STRUT FRONT LEFT Code: 487 <input type="checkbox"/> [004] To Chassis: F 122820 To Date: 30/03/2006 Excep...	001	
100	A 100 997 08 81	GROMMET LEFT Code: 487 <input type="checkbox"/> [004] To Chassis: F 122820 To Date: 30/03/2006 Excep...	001	
110	A 000 421 08 87	DUST CAP BLEEDER VALVE Code: 487	001	
120	A 230 320 04 53	OIL LINE FROM Y-DISTRIBUTOR TO VALVE BLOCK FRONT Code: 487 <input type="checkbox"/> [004] To Chassis: F 122820 To Date: 30/03/2006 Excep...	001	
130	A 230 320 00 72	OIL LINE FROM PRESSURE RESERVOIR TO VALVE BLOCK FRONT Code: 487 <input type="checkbox"/> [004] To Chassis: F 122820 To Date: 30/03/2006 Excep...	001	

280	A 230 997 04 52	PRESSURE HOSE FROM T-PIECE TO RETURN ACCUMULATOR REAR (INLET) Code: 487 <input type="checkbox"/> [004] To Chassis: F 122820 To Date: 30/03/2006 Excep...	001
283	A 015 997 82 45	. O-RING TO LINE Code: 487 <input type="checkbox"/> [004] To Chassis: F 122820 To Date: 30/03/2006 Excep...	001
290	A 230 997 05 52	PRESSURE HOSE FROM T-PIECE TO RETURN ACCUMULATOR REAR (RETURN) Code: 487 <input type="checkbox"/> [004] To Chassis: F 122820 To Date: 30/03/2006 Excep...	001
293	A 015 997 82 45	. O-RING TO LINE Code: 487 <input type="checkbox"/> [004] To Chassis: F 122820 To Date: 30/03/2006 Excep...	001
300	A 230 320 57 53	OIL LINE FROM INLET OIL LINE TO VALVE BLOCK REAR Code: 487 <input type="checkbox"/> [004] To Chassis: F 122820 To Date: 30/03/2006 Excep...	001
310	A 230 320 58 53	OIL LINE FROM RETURN OIL LINE TO VALVE BLOCK REAR Code: 487 <input type="checkbox"/> [020, 004] From Chassis: F 068968 From Date: 31/10/2003	001
320	A 230 997 06 82	CONNECTOR HOSE FROM VALVE BLOCK FRONT TO SEPARATION POINT ON MAIN FLOOR (INLET) Code: 487 <input type="checkbox"/> [004] To Chassis: F 122820 To Date: 30/03/2006 Excep...	001
330	A 230 997 07 82	CONNECTOR HOSE FROM VALVE BLOCK FRONT TO SEPARATION POINT ON MAIN FLOOR (RETURN) Code: 487 <input type="checkbox"/> [004] To Chassis: F 122820 To Date: 30/03/2006 Excep...	001
340	A 230 997 32 82	CONNECTOR HOSE FROM PULSATION DAMPER TO T-PIECE (INLET) Code: 487 <input type="checkbox"/> [004] To Chassis: F 122820 To Date: 30/03/2006 Excep...	001
350	A 230 997 33 82	CONNECTOR HOSE FROM PULSATION DAMPER TO T-PIECE (RETURN) Code: 487 <input type="checkbox"/> [004] To Chassis: F 122820 To Date: 30/03/2006 Excep...	001
360	A 230 320 81 53	EXPANSION HOSE PUMP TO PULSATION DAMPER Code: 487	001
370	A 028 997 66 48	. O-RING Code: 487	002
375	A 001 990 25 63	. HOLLOW SCREW Code: 487	001
380	A 230 320 83 53	EXPANSION HOSE PUMP WITH PULSATION DAMPER Code: 487	001
385	A 015 997 82 45	. O-RING TO LINE Code: 487	002
390	A 028 997 65 48	. O-RING Code: 487 <input type="checkbox"/> [004] To Chassis: F 122820 To Date: 30/03/2006 Excep...	004
400	A 001 990 26 63	. HOLLOW SCREW Code: 487 <input type="checkbox"/> [004] To Chassis: F 122820 To Date: 30/03/2006 Excep...	001
410	A 001 990 21 63	. HOLLOW SCREW Code: 487 <input type="checkbox"/> [004] To Chassis: F 122820 To Date: 30/03/2006 Excep...	001
420	A 123 328 89 81	. RUBBER RING TO LINE Code: 487	004

430	N 000000 001045	. CLAMP LINE ATTACHMENT 10/15 Code: 487	001
450	N 000000 004310	HEXAGON HEAD BOLT TO PUMP HOLDER M6X10 Code: 487	001
450	A 002 984 09 29	BOLT OIL LINE TO TIMING CASE M6X16 Code: 487	001
460	N 000000 001114	HEXALOBULAR BOLT AT OIL PAN M6X15 Code: 487 <input type="checkbox"/> [004] To Chassis: F 122820 To Date: 30/03/2006 Excep...	006
490	A 028 997 66 48	. O-RING Code: 487	002
495	A 001 990 25 63	. HOLLOW SCREW Code: 487	001
600	A 230 997 08 52	PRESSURE HOSE FROM VALVE BLOCK REAR TO SUSPENSION STRUT REAR RIGHT Code: 487 <input type="checkbox"/> [004, 021] To Chassis: F 122820 To Date: 30/03/2006 ...	001
610	A 100 997 08 81	. GROMMET REAR FLOOR ASSEMBLY CENTER Code: 487 <input type="checkbox"/> [004] To Chassis: F 122820 To Date: 30/03/2006 Excep...	001
610	A 115 997 06 81	. GROMMET REAR END FLOOR,LATERAL RIGHT 23 MM Code: 487	001
620	A 000 421 08 87	. DUST CAP TO VENT SCREW Code: 487	001
630	A 230 997 07 52	PRESSURE HOSE FROM VALVE BLOCK REAR TO SUSPENSION STRUT REAR LEFT Code: 487 <input type="checkbox"/> [004, 021] To Chassis: F 122820 To Date: 30/03/2006 ...	001
640	A 100 997 08 81	. GROMMET REAR FLOOR ASSEMBLY CENTER Code: 487 <input type="checkbox"/> [004] To Chassis: F 122820 To Date: 30/03/2006 Excep...	001
640	A 115 997 06 81	. GROMMET REAR END FLOOR,LATERAL RIGHT 23 MM Code: 487	001
650	A 000 421 08 87	. DUST CAP TO VENT SCREW Code: 487	001
660	A 230 320 16 54	OIL LINE FROM PRESSURE RESERVOIR TO VALVE BLOCK REAR Code: 487 <input type="checkbox"/> [004] To Chassis: F 122820 To Date: 30/03/2006 Excep...	001
670	A 230 320 03 53	OIL LINE FROM RETURN ACCUMULATOR TO VALVE BLOCK REAR Code: 487 <input type="checkbox"/> [004] To Chassis: F 122820 To Date: 30/03/2006 Excep...	001
680	A 230 320 98 53	OIL LINE FROM REAR VALVE BLOCK TO CONNECTING HOSE LEFT REAR Code: 487 <input type="checkbox"/> [004] To Chassis: F 122820 To Date: 30/03/2006 Excep...	001
690	A 230 320 99 53	OIL LINE FROM REAR VALVE BLOCK TO CONNECTING HOSE RIGHT REAR Code: 487 <input type="checkbox"/> [004] To Chassis: F 122820 To Date: 30/03/2006 Excep...	001