

M-BENZ SL-CLASS 2003-06

FRONT LAMPS Cont'd

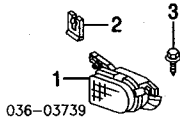
FOG LAMP

SL500, SL600
W/O SPORT PKG Cont'd

6 Nut, Spring	R/L 230 820 04 56	.70
<i>#Included w/Fog Lamp Assy</i>		
7 Lock, Fog Lamp (2/Side)	R/L 001 990 75 91	.70

FOG LAMP SL55, SL65

R&I Fog Lamp Assy	R/L	#3
<i>#Included in R&R or O/H Front Bumper</i>		



036-03739

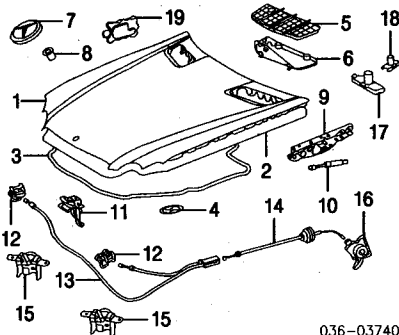
1 Lamp Assy, Fog	R 230 820 04 56	#3	185.00
	L 230 820 03 56	#3	185.00
<i>#Included in R&R or O/H Front Bumper</i>			
Bulb, Fog Lamp	R/L 000000 000069	.2	12.50
<i>#Included w/Fog Lamp Assy</i>			
2 Nut, Spring (2/Side)	R/L 004 994 55 45	.70	
3 Screw, Mtg (2/Side)	R/L 304017 005007	.90	
Harness, Fog Lamp	R/L 230 540 38 05	47.50	

HOOD

Use Procedure Explanations 4 and 28 with the following text.

Refinish Hood Outside	2.8
Add for Underside	1.4
Refinish Hinge	R/L .5
R&I Hood Assy	.8
R&I Mercedes Benz Emblem	.2
R&I Hood Grille	R/L #2

#Included in R&R Hood



036-03740

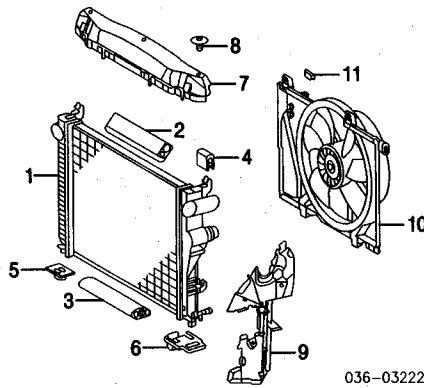
1 Panel, Hood (Aluminum)	03-05 230 880 00 57	1.6	1330.00
	06 230 880 03 57	1.6	1350.00
2 Insulator, Hood	03-05 230 682 01 26	.3	127.00
	06 230 682 05 26	.3	127.00
Clip, Insulator (13)	001 988 03 25	1.70	
3 Seal, Hood	230 889 00 98	.3	32.00
4 Buffer, Hood	R 220 889 10 95	.1	1.90
	L 220 889 09 95	.1	2.50
5 Grille, Hood	R 230 830 02 18	.3	157.00
	L 230 830 01 18	.3	157.00
6 Housing, Grille	R 230 830 01 21	35.00	
	L 230 830 01 52	29.50	
<i>Nozzle, Washer-See Windshield Section</i>			
7 Emblem, Hood	129 888 01 16	.2	13.00
8 Grommet, Emblem (2)	230 997 03 81	.70	
9 Hinge, Hood	R 230 880 02 28	#2	97.00
	L 230 880 01 28	#2	97.00
<i>#w/Hood & Fender Removed</i>			
10 Support, Hood	R/L 230 880 00 29	#2	44.50
<i>#Included in R&R Hood Hinge</i>			
11 Catch, Safety Hook	230 880 01 64	.2	24.50
<i>#Order by Application</i>			
12 Latch, Upper Hood (2)	230 880 01 60	.3	28.50
Cable, Hood Release			
13 Front	230 880 00 59	.6	37.50
14 Rear	230 880 01 59	1.2	27.50
15 Latch, Lower Hood (2)	230 880 00 60	.3	32.50
16 Handle, Hood Release	230 880 01 20	8.75	
17 Sensor, Light	220 830 02 72	.2	134.00
18 Cover	211 831 02 44	2.00	
19 Sensor, Pollutant	211 830 04 72	.3	160.00

COOLING

Use Procedure Explanations 5 and 28 with the following text.

SL500

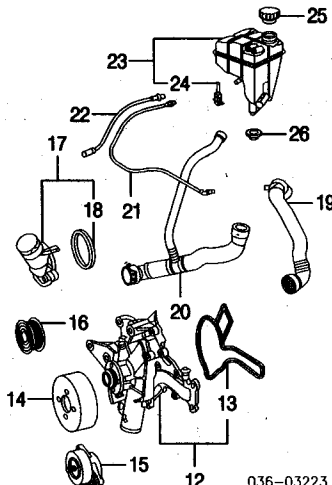
R&I Radiator	2.8
--------------	-----



036-03222

1 Radiator	230 500 03 03	2.8	464.00
2 Seal, Upper Radiator	220 505 01 86	12.50	
3 Seal, Lower Radiator	220 505 03 86	8.75	
4 Insulator, Upper Radiator	R/L 220 504 01 12	3.00	
5 Insulator, Lower Radiator	R/L 220 504 00 12	3.00	
6 Bracket, Lower Radiator	R/L 220 504 02 40	5.25	
7 Cover, Radiator	230 505 02 88	.2	15.00
8 Retainer, Cover (3)	002 997 37 86	.70	
Cooler, ABC Oil	215 500 00 00	m #1.3	230.00
<i>#w/Grille Removed</i>			
9 Deflector, Side Radiator Air	R 230 505 01 30	29.50	
	L 230 505 00 30	29.50	
10 Fan & Motor, Radiator	230 500 00 93	#1.8	545.00
<i>#Included in R&R Radiator</i>			
11 Clip, Fan & Motor Belt, Drive	R/L 001 994 29 45	.70	
	014 997 71 92	.6	57.00

#Order by Application

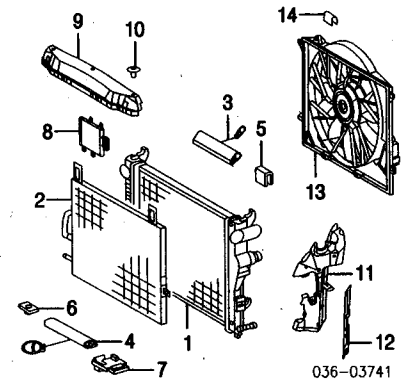


036-03223

12 Pump Assy, Water	112 200 15 01	m #4.3	d380.00
<i>#Includes R&R Water Pump Pulley, w/Radiator Removed Deduct 2.0</i>			
13 Gasket, Water Pump (a)	112 201 01 80	m	4.40
<i>(a) Included w/Water Pump Assy</i>			
14 Pulley, Water Pump	112 202 01 10	m	.8
15 Tensioner, Belt	112 200 09 70	#3	240.00
16 Pulley, Idler	000 202 00 19	#2	31.50
<i>#w/Drive Belt Removed</i>			
17 Thermostat Assy	112 203 02 75	1.5	25.00
18 Seal, Thermostat (b)	112 203 00 76	2.00	
<i>(b) Included w/Thermostat Assy</i>			
19 Hose, Upper Radiator	230 501 02 82	#6	59.00
20 Hose, Lower Radiator	230 501 21 82	#7	72.00
<i>#R&R Both 1.1</i>			
21 Tube, Reservoir	230 501 03 25	29.50	
22 Hose, Overflow	230 501 00 25	22.00	
23 Reservoir Assy, Coolant	230 500 01 49	.8	59.00
24 Sensor, Coolant Level (c)	220 545 00 24	.4	15.00
<i>(c) Included w/Coolant Reservoir Assy</i>			
25 Cap, Reservoir	210 501 07 15	18.50	
26 Grommet, Reservoir	201 504 01 12	1.50	

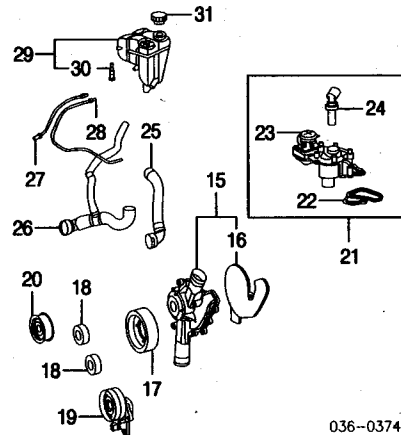
SL600

R&I Primary Radiator	#3.0
<i>#Includes R&R Auxiliary Radiator</i>	



036-03741

1 Radiator, Primary	230 500 03 03	#3.0	464.00
2 Radiator, Auxiliary	220 500 25 03	#3.0	464.00
<i>#R&R Complete</i>			
3 Insulator, Upper Radiator	220 505 01 86	12.50	
4 Insulator, Lower Radiator	220 505 03 86	8.75	
5 Mount, Upper Radiator	R/L 220 504 01 12	3.00	
6 Mount, Lower Radiator	R/L 220 504 00 12	3.00	
7 Bracket, Lower Radiator	R/L 220 504 02 40	5.25	
8 Cooler, ABC Oil	215 500 00 00	m #1.3	230.00
<i>#w/Grille Removed</i>			
9 Cover, Radiator	230 505 02 88	.2	15.00
10 Retainer, Cover (3)	002 997 37 86	.70	
11 Deflector, Side Radiator Air	R 230 505 01 30	53.00	
	L 230 505 00 30	53.00	
	R 230 505 09 30	53.00	
	L 230 505 14 30	34.50	
	L 230 505 13 30	34.50	
12 Baffle, Air	220 500 02 93	#2.2	790.00
<i>#Included in R&R Radiator</i>			
14 Clip, Fan & Motor Belt, Drive	R/L 001 994 29 45	.70	
	014 997 37 92	.7	34.50



036-03742

15 Pump Assy, Water	275 200 01 01	m #3.8	332.00
<i>#Includes R&R Water Pump Pulley, w/Radiator Removed Deduct 2.0</i>			
16 Gasket, Pump	137 201 00 80	m	7.00
<i>#Included w/Water Pump Assy</i>			
17 Pulley, Water Pump	137 202 01 11	.8	43.50
18 Pulley, Idler (2)	137 202 01 19	#1	33.50
19 Tensioner, Belt	137 200 02 70	#3	100.00
20 Pulley, Tensioner	000 202 03 19	#2	27.50
<i>#w/Drive Belt Removed</i>			
21 Thermostat Assy	275 200 04 15	1.5	370.00
22 Gasket, Thermostat (a)	197 203 01 80	3.90	
23 Valve, Thermostat (a)	002 140 65 60	#3	97.00
24 Sensor, Temp (a)	000 542 51 18	.4	11.50
<i>(a) Included w/Thermostat Assy</i>			
25 Hose, Upper Radiator	230 501 09 82	#6	47.00
26 Hose, Lower Radiator	230 501 46 82	#7	72.00
<i>#R&R Both 1.1</i>			
27 Hose, Overflow	230 501 00 25	22.00	
28 Hose, Breather	230 501 01 25	25.00	
29 Reservoir Assy, Coolant	230 500 02 49	.8	59.00
30 Sensor, Coolant Level (b)	220 545 00 24	.4	15.00
<i>(b) Included w/Coolant Reservoir Assy</i>			
31 Cap, Reservoir	210 501 07 15	18.50	

Illustration Located in Next Column

32 Pump, Auxiliary Water	000 550 48 83	m 1.4	308.00
33 Bracket, Mtg	230 504 04 40	33.50	
34 Bracket, Pump	220 504 07 40	6.75	
35 Grommet, Support	220 997 28 81	4.50	
36 Hose, Radiator to Pump	230 501 35 82	.7	7.25

036-03743

37 Hose, Pump/Eng	230 501 01 24	.9	74.00
38 Hose, Aux Rad	230 501 13 82	1.1	104.00

SL55
R&I Cooling Module Assy 3.0

036-03224

1 Module Assy, Cooling	230 500 12 04	3.0	830.00
2 Radiator, Auxiliary	230 500 00 01	#3.0	545.00
3 Radiator, Primary	220 500 20 03	#3.0	464.00
<i>#Included w/Cooling Module Assy</i>			
<i>#R&R Complete</i>			
4 Insulator, Upper	220 505 01 86		12.50
5 Mount, Rubber			
Upper	R/L 220 504 01 12		3.00
Lower	R/L 220 504 00 12		3.00
6 Mount, Upper Frame	R 230 504 04 12		35.00
7 Insulator, Lower	L 230 504 03 12		35.00
8 Bracket, Lower Radiator	R/L 220 505 03 86		8.75
9 Module Assy, Auxiliary Cooling	R/L 220 504 02 40		5.25
9 Module Assy, Auxiliary Cooling	230 500 13 04	m #3.4	810.00
<i>#Includes R&R Cooling Module Assy</i>			
10 Condenser, A/C (a)-See A/C/Heater/Ventilation Section			
11 Cooler, ABC Oil (a)	215 500 00 00	m #1.3	230.00
<i>(a) Included w/Auxiliary Cooling Module Assy</i>			
<i>#w/Grille Removed</i>			
12 Baffle, Air	R 230 505 06 30		48.50
	L 230 505 07 30		48.50
13 Bracket Assy, Mounting	230 501 04 20		18.50
14 Clamp (b) (2)	170 506 02 41		1.40
<i>(b) Included w/Mounting Bracket Assy</i>			
15 Cover, Upper	230 505 02 88	.2	15.00
16 Plug (3)	002 997 37 86		.70
17 Fan & Motor, Radiator	220 500 02 93	#1.8	790.00
<i>#Included in R&R Radiator</i>			
18 Clip, Mount (2)	001 994 29 45		.70
Belt, Drive	113 997 00 92	.7	57.00

036-03225

19 Pump Assy, Water	275 200 01 01	m #4.3	332.00
<i>#Includes R&R Water Pump Pulley, w/Radiator Removed Deduct 2.0</i>			
20 Gasket, Pump (c)	112 201 00 80	m	4.70
<i>(c) Included w/Water Pump Assy</i>			
21 Pulley, Water Pump	112 202 01 10	m .8	31.00
22 Pulley, Idler	113 202 00 19	#.1	66.00
23 Tensioner, Belt	113 200 00 70	#.4	214.00
24 Tensioner, Accessory Belt	112 200 09 70	#.4	240.00
25 Pulley, Tensioner	113 202 01 19	#.2	218.00
<i>#w/Drive Belt Removed</i>			
26 Bracket, Pulley	113 237 01 40		32.50
27 Thermostat Assy	113 200 00 15	1.5	0.00
28 Gasket, Thermostat (d)	112 203 00 76		2.00
<i>(d) Included w/Thermostat Assy</i>			
29 Hose, Upper Radiator	230 501 15 82	#.6	32.00
30 Hose, Lower Rad	230 501 26 82	#.7	72.00
<i>#R&R Both 1.1</i>			
31 Tube, Reservoir	230 501 05 25	.3	29.50
32 Hose, Overflow	230 501 06 25	.3	29.50
33 Hose, Coolant Tank/Pipe	230 500 05 75	.4	125.00
34 Reservoir Assy, Coolant	230 500 01 49	.8	59.00
35 Sensor, Coolant Level (e)	220 545 00 24	.4	15.00
<i>(e) Included w/Coolant Reservoir Assy</i>			
36 Cap, Reservoir (f)	210 501 05 15		17.00
<i>(f) Order by Application</i>			

036-03310

SL65
R&I Primary Radiator #3.0
#Includes R&R Auxiliary Radiator

036-03741

1 Radiator, Primary	220 500 20 03	#3.0	464.00
2 Radiator, Auxiliary	230 500 04 03	#3.0	630.00
<i>#R&R Complete</i>			
3 Insulator, Upper Radiator	220 505 01 86		12.50
4 Mount, Rubber	220 505 03 86		8.75
5 Mount, Upper Radiator	R/L 220 504 01 12		3.00
6 Mount, Lower Radiator	R/L 220 504 00 12		3.00
7 Bracket, Lower Radiator	R/L 220 504 02 40		5.25
8 Cooler, ABC Oil	N.A.	m #1.3	0.00
<i>#w/Grille Removed</i>			
9 Cover, Radiator	230 505 02 88	.2	15.00
10 Retainer, Cover	002 997 37 86		.70
11 Deflector, Side Radiator Air	R/L N.A.		0.00
12 Baffle, Air	R/L N.A.		0.00
13 Fan & Motor, Radiator	220 500 02 93	#2.2	790.00
<i>#Included in R&R Radiator</i>			
14 Clip, Fan & Motor (2)	001 994 29 45		.70
Belt, Drive	014 997 37 92	.7	34.50

036-03742

15 Pump Assy, Water	275 200 01 01	m #3.8	332.00
<i>#Includes R&R Water Pump Pulley, w/Radiator Removed Deduct 2.0</i>			
16 Gasket, Pump (c)	137 201 00 80	m	7.00
<i>(c) Included w/Water Pump Assy</i>			
17 Pulley, Water Pump	137 202 01 11	.8	43.50
18 Pulley, Idler (2)	137 202 01 19	#.1	33.50
19 Tensioner, Belt	137 200 02 70	#.3	100.00
20 Pulley, Tensioner	000 202 03 19	#.2	27.50
<i>#w/Drive Belt Removed</i>			
21 Thermostat Assy	275 200 04 15	1.5	370.00
22 Gasket, Thermostat (d)	137 203 01 80		3.90
23 Valve, Thermostat (d)	002 140 65 60		97.00
24 Sensor, Temp (d)	000 542 51 18	.4	11.50
<i>(d) Included w/Thermostat Assy</i>			
25 Hose, Upper Radiator	230 501 09 82	#.6	47.00
26 Hose, Lower Radiator	230 501 46 82	#.7	72.00
<i>#R&R Both 1.1</i>			
27 Hose, Overflow	230 501 00 25		22.00
28 Hose, Breather	230 501 01 25		25.00
29 Reservoir Assy, Coolant	230 500 02 49	.8	59.00
30 Sensor, Coolant Level (e)	220 545 00 24		15.00
<i>(e) Included w/Coolant Reservoir Assy</i>			
31 Cap, Reservoir	210 501 07 15		18.50

036-03743

37 Pump, Auxiliary Water	000 550 48 83	m 1.4	308.00
38 Insulator	220 997 28 81		4.50
39 Bracket, Water Pump	220 504 07 40		6.75
40 Bracket, Mounting	230 551 00 40		29.50
41 Pump, Air-See Emission System Section			68.00
42 Bracket	203 237 00 40		16.50
43 Plate, Support	230 506 11 40		127.00
44 Bracket, Air Pump Mtg	230 551 00 39		29.50
45 Hose, Aux Radiator	230 500 03 75	.7	87.00
46 Hose, Pump/Tank	230 500 02 75	1.1	87.00

ENGINE OIL COOLER
SL600, SL65

R&I Engine Oil Cooler Assy m #2.7
#w/Front Bumper Removed

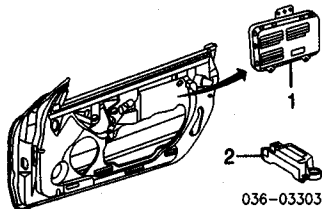
036-03744

1 Cooler, Engine Oil			
----------------------	--	--	--

M-BENZ SL-CLASS 2003-06

AIR BAG SYSTEM Cont'd

SIDE Cont'd

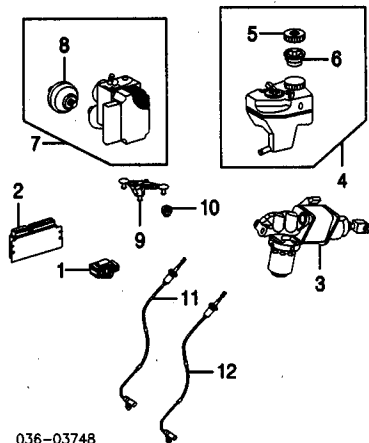


1 Module, Side Air Bag	R 230 860 02 05	m	#5	334.00
	L 230 860 01 05	m	#5	334.00
<i>#w/Trim Panel Removed</i>				
2 Control Unit, Side Air Bag [†]				
Bosch Brand	R/L 220 820 44 26	m	.4	110.00
Temic Brand	R/L 001 820 93 26	m	.4	58.00
[†] Add Parts &/or Dealer Contact Required				

ABS/BRAKES

Bleed System.....m 2.0

NOTE: R&R Does Not include bleed brake system.

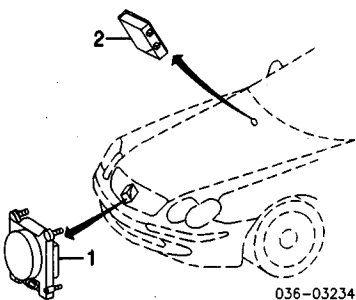


1 Sensor, ESP	03 002 542 66 18	m	.4	640.00
	04 003 542 03 18	m	.4	430.00
	05-06 216 542 00 18	m	.4	250.00
2 Control Unit, ESP	03 032 545 65 32	m	.5	700.00
	04 033 545 40 32	m	.5	1050.00
	05 034 545 63 32	m	.5	845.00
	06 230 540 25 45	m	.5	835.00
	000 430 07 12	m	#3.2	1050.00
3 Cylinder, Brake Master				
<i>#includes R&R Reservoir Assy</i>				
4 Reservoir Assy, Master Cylinder	230 430 04 02	m	.4	195.00
5 Cap, Reservoir [†]	202 430 00 14	m		6.00
6 Strainer, Fluid [†]	000 431 43 34	m		3.70
<i>#included w/Master Cylinder Reservoir Assy</i>				
7 Hydraulic Assy, ABS	03 004 431 98 12	m	1.5	2990.00
	04 004 431 70 12	m	1.5	2990.00
	05 004 431 83 12	m	1.5	3790.00
	06 005 431 81 12	m	1.5	1300.00
	000 430 13 94	m	.8	625.00
8 Accumulator, ABS (a)				
<i>(a) included w/ABS Hydraulic Assy</i>				
9 Bracket, Hydraulic Unit	03 230 431 01 40	m		22.00
	04-06 230 431 02 40	m		25.00
10 Grommet, Hydraulic Unit (3)	000 431 00 37	m		1.90
11 Sensor, Front ABS	R/L 230 540 07 17	m	#.6	104.00
<i>#R&R Both Sides 1.0</i>				
12 Sensor, Rear ABS	03 R/L 230 540 10 17	m	#.8	104.00
	04-06 R/L 230 540 11 17	m	#.8	104.00
<i>#R&R Both Sides 1.2</i>				

CRUISE CONTROL SYSTEM

Illustration Located in Next Column

1 Sensor, Distance	000 540 88 17	m	#.4	3100.00
<i>#w/Grille Removed</i>				
2 Control Unit, Cruise				
2003				
To 4-24-03	032 545 90 32	m	.4	1290.00
From 4-24-03	033 545 63 32	m	.4	1350.00
2004-06	033 545 63 32	m	.4	1350.00

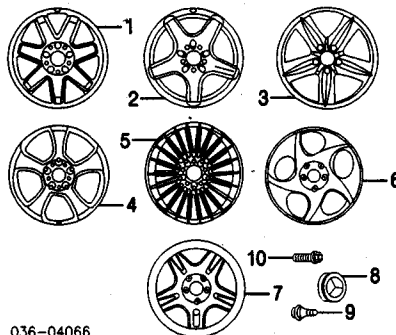


WHEEL

Use Procedure Explanation 10 with the following text.

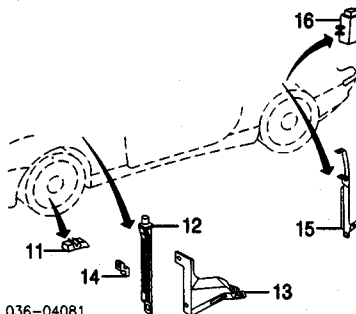
ALLOY WHEEL

Add to R&I Spare Wheel & Tire Assy..... 2



036-04066

Wheel, Alloy				
1 17" 5 Spoke	230 401 09 02	.3		595.00
Type 1				
Front	230 401 20 02	.3	.20	
Rear	230 401 21 02	.3	0.00	
Type 2				
Front	230 401 04 02	.3	d.01	
Rear	230 401 05 02	.3	d.01	
Type 3				
Front	230 401 22 02	.3	482.00	
Rear	230 401 23 02	.3	505.00	
19"				
Type 1				
Front	230 401 14 02	.3	0.00	
Rear	230 401 18 02	.3	0.00	
Type 2				
Front	211 400 12 02	.3	1270.00	
Rear	211 400 14 02	.3	1270.00	
Type 3				
Front	230 401 15 02	.3	0.00	
Rear	230 401 16 02	.3	0.00	
8 Cap, Center				
Blue	170 400 01 25 5337			12.00
Burnished Silver	220 400 01 25 9715			6.50
Sterling Silver	220 400 01 25 9709			6.25
9 Stem, Valve				
w/Tire Pressure Control	03-04 001 401 27 13			16.00
	05-06 001 401 42 13			83.00
w/o Tire Pressure Control	000 400 02 13			2.40
10 Bolt, Lug	211 401 03 70			3.70

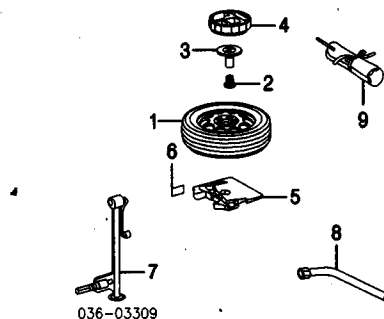


036-04081

11 Sensor, Tire Pressure (2/Side)	R/L 000 822 34 06			222.00
12 Antenna, Tire Pressure (2/Side)				
2003				
To VIN 021435	R/L 001 827 41 01	m	.6	88.00
From VIN 021436	R/L 001 827 48 01	m	.6	55.00
2004-06	R/L 001 827 48 01	m	.6	55.00

13 Bracket, Front	R 230 546 11 43			9.75
	L 230 546 10 43			9.75
14 Support, Bracket	R/L 000 822 28 14			6.75
15 Bracket, Rear	R 230 546 13 43			8.75
	L 230 546 12 43			8.75
16 Control Unit, Tire Pressure	L 002 820 99 26	m	.4	246.00

SPARE WHEEL & HARDWARE



036-03309

1 Wheel, Spare Tire				
17" Wheels	230 400 02 00			550.00
18" Wheels	230 400 49 00			670.00
19" Wheels	N.A.			0.00
2 Screw, Hold-Down	124 898 07 65			3.00
3 Bracket, Spare Wheel	03 233 899 06 14			5.00
	04-06 230 898 00 14			6.00
4 Box, Tool	230 899 01 61			18.50
5 Mount, Spare Wheel	03 230 684 02 37 7C45			28.50
	04-06 230 684 10 37 7C45			32.00
6 Pad, Jack	126 787 00 97			.20
7 Jack	129 583 00 15			100.00
8 Wrench/Handle, Wheel	120 581 02 46			11.50
9 Tool Kit [†]	03 230 580 01 03			114.00
	04 230 580 02 03			114.00
	05 230 580 04 03			114.00
	06 230 580 05 03			114.00

[†]Order by Application

FRONT SUSPENSION

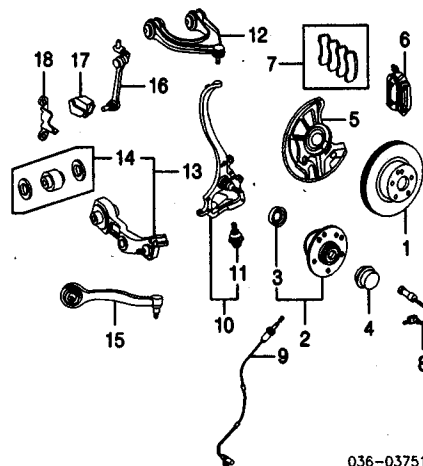
Use Procedure Explanation 11 with the following text.

R&I Suspension/Sub-Frame Assy.....	m	5.8
R&I Suspension (One Side).....	R/Lm	3.7
O/H Suspension (Includes R&I)		
One Side.....	Rm	6.6
	Lm	6.0
Both Sides.....		m 11.0
Adjust Four Wheel Alignment.....		m 1.8
Adjust Front Wheel Alignment.....		m 1.3
Bleed Brake System.....		m 2.0

NOTE 1: R&I/R&R or O/H Does Not include alignment or bleed brake system.

NOTE 2: Refer to Special Cautions Section at the beginning of this vehicle text.

NOTE 3: All Parts in this section are included in overhaul unless noted otherwise.



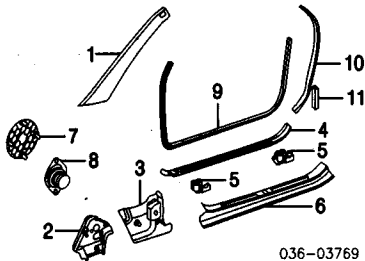
036-03751

1 Rotor, Brake				
SL500				
2003				
To 6-4-03	R/L 230 421 05 12	m	#.9	117.00
From 6-4-03	R/L 230 421 08 12	m	#.9	120.00
2004-05	R/L 230 421 08 12	m	#.9	120.00
2006	R/L 230 421 04 12	m	#.9	117.00
SL600, SL55	R/L 230 421 07 12	m	#.9	120.00

M-BENZ SL-CLASS 2003-06

ROCKER/PILLARS/FLOOR Cont'd

INTERIOR TRIM Cont'd



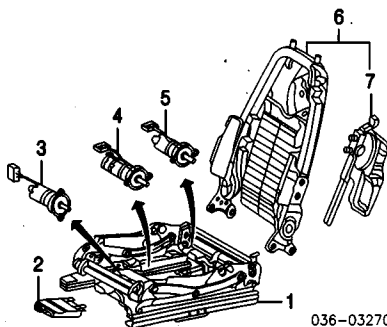
2 Cover, Parking Brake	L	230 684 02 18	.2	11.00
3 Panel, Kick	R	230 680 02 80 9C79	.2	95.00
	L	230 680 05 80 9C79	.2	95.00
4 Plate, Inner Sill	R	230 680 02 35 9051	.3	29.50
	L	230 680 01 35 9051	.3	29.50
*Black listed, Order by Application				
5 Clip, Sill Plate				
Front (A/Side)	R/L	011 988 91 78	.70	
Rear	R/L	011 988 90 78	1.90	
6 Plate, Outer Sill				
SL500, SL600	R	230 680 04 35 7C45	.2	142.00
	L	230 680 03 35 7C45	.2	142.00
SL55, SL65	R	230 680 12 35	.2	226.00
	L	230 680 11 35	.2	226.00
7 Grille, Speaker	R/L	220 680 78 39 9C75	.1	9.25
*Graphite listed, Order by Application				
8 Speaker, Front	R/L	220 820 24 02	.2	29.50
9 Welt, Door Opening (On Body)	R/L	230 697 01 51 9C80	.5	53.00
*Graphite listed, Order by Application				
10 Seal, Pillar	R	230 673 02 98	.2	29.50
	L	230 673 01 98	.2	29.50
11 Seal, End Piece Lining, Floor	R/L	230 697 00 15	1.00	
		230 680 16 40		950.00
*Order by Application				

FRONT SEAT

Use Procedure Explanation 30 with the following text.

PASSENGER SIDE

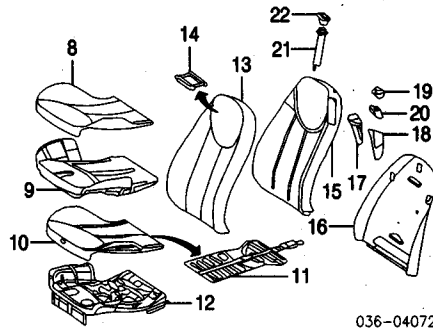
R&L Front Seat	1.2
----------------	-----



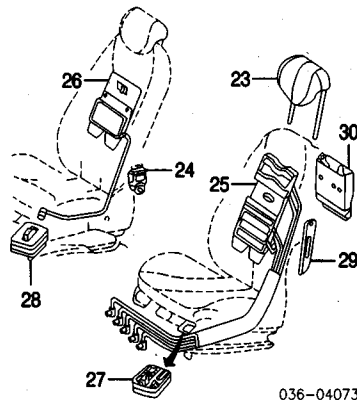
1 Frame, Seat Bottom	230 910 06 20	#1.3	2100.00
2 Control Unit, Seat	230 820 44 26	#3	272.00
3 Motor, Height Adj	230 820 11 42	#3	125.00
4 Motor, Fore/Aft Adj	230 820 06 42	#3	125.00
5 Motor, Angle Adjust	215 820 05 42	#3	105.00
6 Frame Assy, Seat Back			
w/Ventilation	230 910 04 34	#1.2	640.00
w/o Ventilation	230 910 02 34	#1.2	640.00
7 Motor, Seat Back	215 820 06 42	#4	244.00
*Included w/Seat Back Frame Assy			
*w/Seat Assy Removed			

Illustration Located in Next Column

8 Cover, Seat Cushion			
Standard	230 910 06 46 9C77	#1.3	735.00
Designo	230 910 21 46 9B97	#1.3	885.00
*Order by Application			
9 Pad, Upper			
w/Ventilation	230 910 07 50	#1.3	236.00
w/o Ventilation	230 910 05 50	#1.3	32.50
10 Pad, Lower			
w/Sport Pkg	230 910 13 50	#1.3	74.00
w/o Sport Pkg	230 910 00 50	#1.3	74.00
11 Sensor, Seat			
w/Sport Pkg	230 821 16 51	#1.3	268.00
w/o Sport Pkg	230 821 15 51	#1.3	240.00



12 Frame, Cushion	230 910 02 22	#1.3	262.00
*R&R One Side Complete, w/Seat Removed, Includes R&R Seat Bottom Frame			
13 Cover, Seat Back			
Standard	230 910 20 47 9C76	#1.2	0.00
Designo	230 910 46 47 6C59	#1.2	0.00
*Order by Application			
14 Plate, Seat Back	230 910 00 11		31.00
15 Pad, Seat Back	230 910 14 16	#1.2	420.00
*R&R One Side Complete, w/Seat Removed			
16 Panel, Rear Cover Trim			
Standard	230 910 06 39	.6	272.00
Designo	230 910 04 39	.6	735.00
*Order by Application			
17 Plate, Support	230 913 04 11		41.00
18 Guide, Seat Belt			
Standard	215 918 26 30 9117		18.50
Designo	215 910 44 18 9B97		80.00
19 Switch, Adjust	230 820 63 10 9117		47.00
20 Cover, Switch	230 918 32 30		83.00
*Order by Application			
21 Guide, Headrest	R/L 215 970 00 41		2.90
22 Escutcheon, Headrest	R 215 914 02 59		4.20
	L 215 914 01 59		4.20



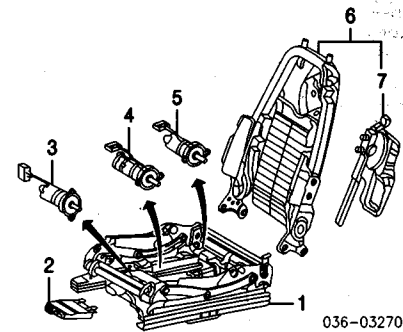
23 Headrest			
Standard	230 970 17 50 9C76	.2	0.00
Designo	230 970 05 50 9C76	.2	390.00
*Order by Application			
24 Control, Climate Support, Lumbar	220 820 32 26		99.00
25 w/Contour Seat	230 910 00 75		124.00
26 w/o Contour Seat	215 910 02 75		79.00
Regulator, Lumbar Seat			
27 w/Contour Seat	215 870 00 10 7C45		125.00
28 w/o Contour Seat	215 800 01 78		77.00
*Order by Application			
29 Adapter, Seat	215 910 06 75		42.50
30 Valve	230 800 00 78		620.00

DRIVER SIDE

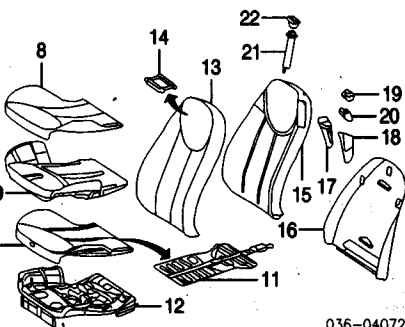
R&L Front Seat	1.2
----------------	-----

Illustration Located in Next Column

1 Frame, Seat Bottom	230 910 05 20	#1.3	2100.00
2 Control Unit, Seat	230 820 43 26	#3	272.00
3 Motor, Height Adj	230 820 11 42	#3	125.00
4 Motor, Fore/Aft Adj	230 820 06 42	#3	125.00
5 Motor, Angle Adjust	215 820 05 42	#3	105.00
6 Frame Assy, Seat Back			
w/Ventilation	230 910 03 34	#1.2	330.00
w/o Ventilation	230 910 01 34	#1.2	640.00
7 Motor, Seat Back	215 820 06 42	#4	244.00
*Included w/Seat Back Frame Assy			
*w/Seat Assy Removed			
8 Cover, Seat Cushion			

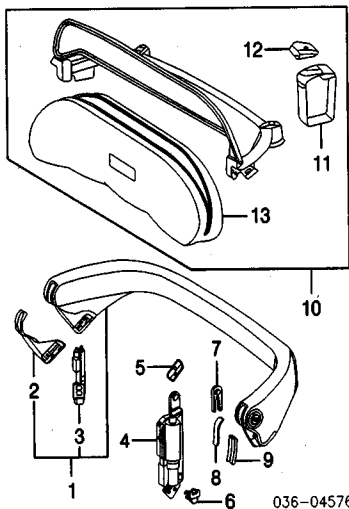


Standard	230 910 06 46 9C77	#1.3	735.00
Designo	230 910 21 46 9B97	#1.3	885.00
*Order by Application			
9 Pad, Upper			
w/Ventilation	230 910 07 50	#1.3	236.00
w/o Ventilation	230 910 05 50	#1.3	32.50
10 Pad, Lower			
w/Sport Pkg	230 910 13 50	#1.3	74.00
w/o Sport Pkg	230 910 00 50	#1.3	74.00
11 Sensor, Seat			
w/Sport Pkg	230 821 16 51	#1.3	268.00
w/o Sport Pkg	230 821 15 51	#1.3	240.00
12 Frame, Cushion	230 910 01 22	#1.3	298.00
*R&R One Side Complete, w/Seat Removed, Includes R&R Seat Bottom Frame			
13 Cover, Seat Back			
Standard	230 910 19 47 9C76	#1.2	0.00
Designo	230 910 45 47 6C59	#1.2	875.00
*Order by Application			
14 Plate, Seat Back	230 910 00 11		31.00
15 Pad, Seat Back	230 910 13 16	#1.2	420.00
*R&R One Side Complete, w/Seat Removed			
16 Panel, Rear Cover Trim			
Standard	230 910 05 39	.6	272.00
Designo	230 910 03 39	.6	735.00
*Order by Application			
17 Plate, Support	230 913 03 11		41.00
18 Guide, Seat Belt			
Standard	215 918 25 30 9117		18.50
Designo	215 910 43 18 9B97		80.00
19 Switch, Adjust	230 820 63 10 9117		47.00
20 Cover, Switch	230 918 31 30		83.00
*Order by Application			
21 Guide, Headrest	R/L 215 970 00 41		2.90
22 Escutcheon, Headrest	R 215 914 02 59		4.20
	L 215 914 01 59		4.20



Standard	230 970 17 50 9C76	.2	0.00
Designo	230 970 05 50 9C76	.2	390.00
*Order by Application			
23 Headrest			
Standard	230 970 17 50 9C76	.2	0.00
Designo	230 970 05 50 9C76	.2	390.00

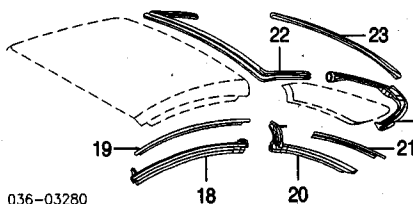
M-BENZ SL-CLASS 2003-06



036-04576

Table listing parts for roll bar assembly (1-13) with descriptions and prices. Includes items like SL55, SL65, Cover, Roll Bar, Switch, Actuator, Support, Roll Bar, Cap, Bar, Clip, Support, Plate, Support, Cover, Guide, Guide, Roll Bar, Deflector Assy, Draft, Strap, Deflector, Cap, Strap, Bag, Storage.

Main parts list for the left column (2-17) including items like Panel, Roof; Latch Assy, Top; Pad, Latch; Retainer, Seal; Guide, Front Rail; Cable, Roof Drive; Catch, Roof; Bracket, Catch; Spring, Catch; Bumper, Window Stop; Pillar, Back Window; Support, Pillar; Cover, Pillar; Glass, Rear; Striker, Latch; Pad, Striker.

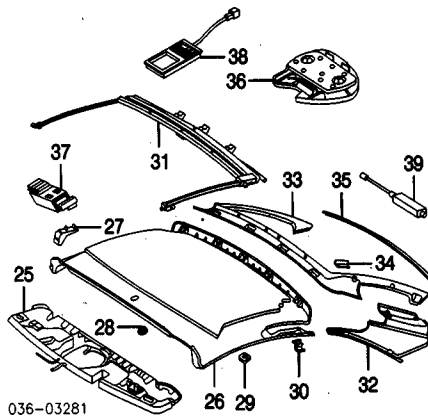


036-03280

Table listing parts for weatherstrip/rail assembly (18-24) with descriptions and prices.

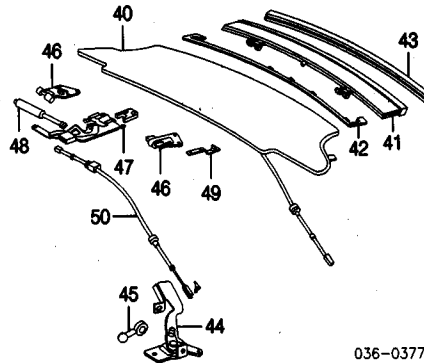
Illustration Located in Next Column

Table listing parts for inner trim and headliner (25-30) with descriptions and prices.



036-03281

Table listing parts for blind and trim assembly (31-39) with descriptions and prices.



036-03772

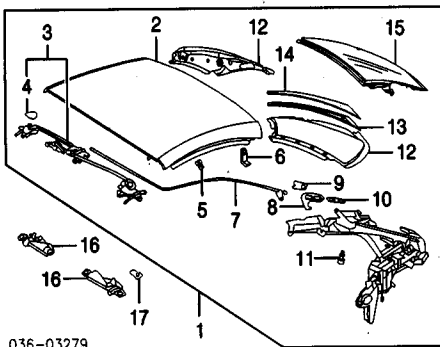
Table listing parts for front tonneau cover assembly (40-50) with descriptions and prices.

QUARTER PANEL

Use Procedure Explanations 20 and 28 with the following text.

SHEET METAL

Table listing quarter panel and sheet metal parts with descriptions and prices.



036-03279

Table listing parts for hardtop assembly (1-17) with descriptions and prices.

