

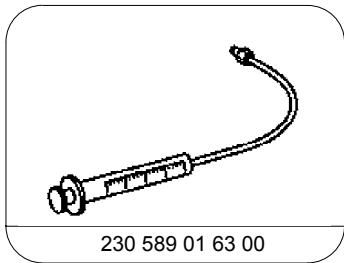
AR77.37-P-3501-01R	Correct oil level of hydraulic unit		
--------------------	-------------------------------------	--	--

Nm Hydraulic soft top

Number	Designation	Model 230
BA77.37-P-1005-01A	Filler screw on hydraulic unit	Nm 8.0

📄 Soft top hydraulic system

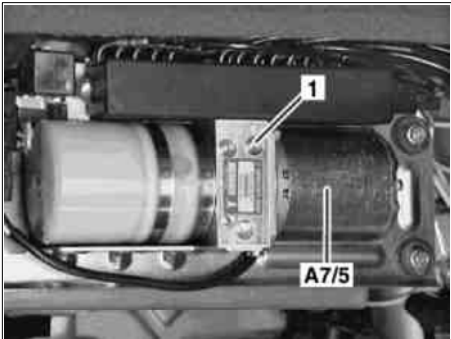
Number	Designation	Model 230
BF77.37-P-1001-01A	Filling quantities Soft top hydraulic system oil reservoir	Liters 0,132
	Specifications for Service Products	Sheet BB00.40-P-0343-00A



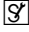
230 589 01 63 00

Filling syringe


- 1 Unscrew oil filler screw (1) at RVC hydraulic unit (A7/5).

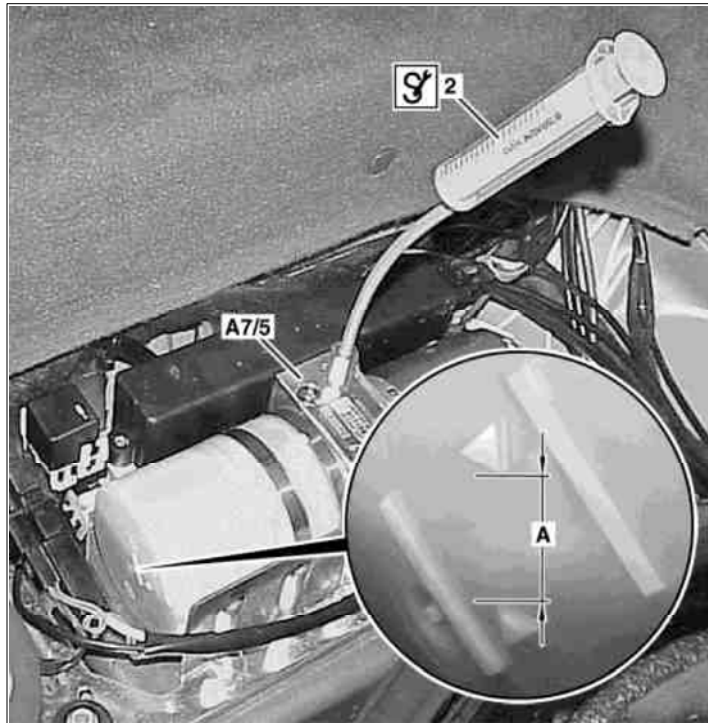


P77.37-2070-01

2  Screw filling syringe (2) into RVC hydraulic unit (A7/5).

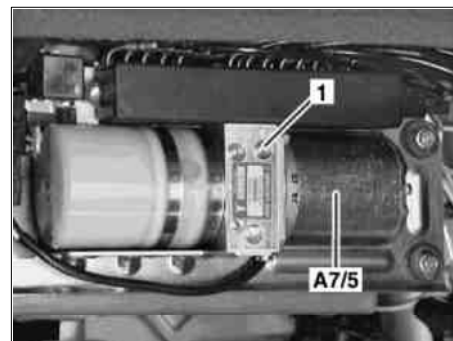
3 Top up hydraulic fluid.

 The oil level (A) must be located between both triangular markings at the oil reservoir of the RVC hydraulic unit (A7/5).



P77.37-2068-12

4 Screw oil filler screw (1) into the RVC hydraulic unit (A7/5).



P77.37-2070-01