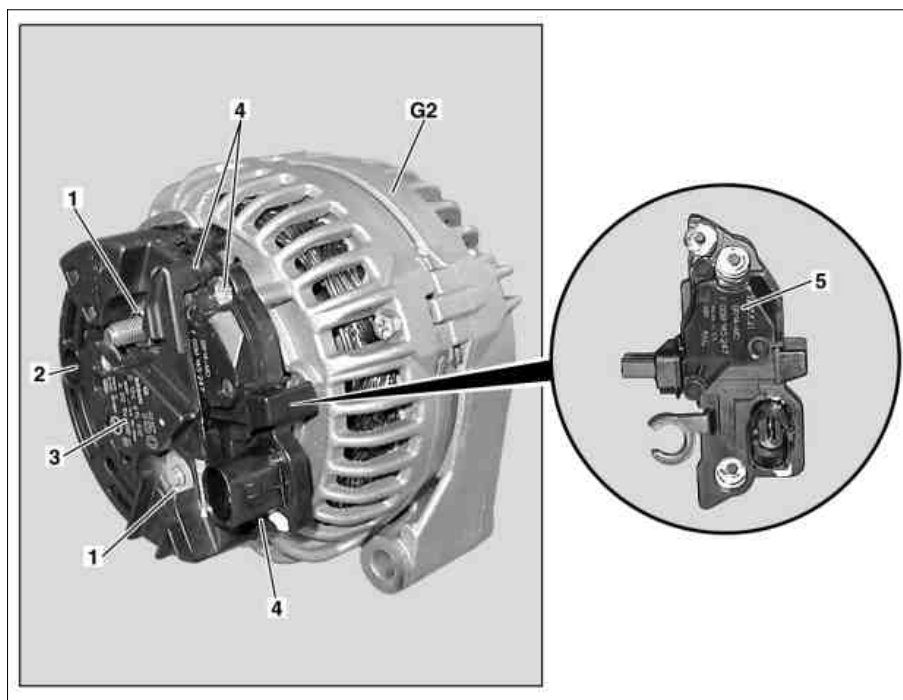


ENGINE 112, 113 in MODEL 230

- 1 Nut
- 2 Bolt
- 3 Cover
- 4 Bolts
- 5 Controller


G2 Alternator



P15.40-2133-06

Modification notes

26.4.05	Partially remove alternator Remove middle section of the lower engine compartment paneling - added	Step 1.1 Step 1.2	
---------	---	----------------------	--

	Removing/installing		
1	Remove middle part of lower engine compartment paneling		AR61.20-P-1105R
2	Unscrew nuts (1)		
3	Unscrew bolt (2).		
4	Remove cap (3)		
5	Unscrew bolts (4) at regulator (5)		
6	Take out regulator (5)	i Installation: When inserting the regulator (5), ensure that the ground lug is making contact.	
7	Install in reverse order		