

SL Roadster



Model Year 2018

Pricing Preliminary

All Content Subject to Change

Mercedes-Benz
The Best or Nothing.





Important note

The information presented in this guide is based on the most current information available and is intended for internal use only. Mercedes-Benz reserves the right to make changes at any time, without notice, to colors, materials, equipment, special specifications and models.

Pricing may not yet be finalized for some models or options.

Due to variances among monitors and printers the colors that appear on your screen and printouts may not be exact.

For illustrative purposes, some images may show vehicles with European Specification.

Revision History

<i>Date</i>	<i>Changes</i>
02/24/17	Initial release



SL 450 & SL 550



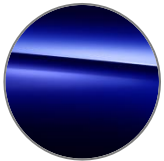
Models



What's new



Standard Equipment



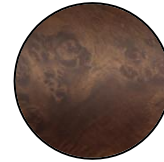
Exterior Paint Colors



Wheels



Interior Upholstery



Interior Trims



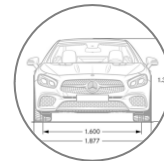
Option Packages



Stand-Alone Options



Options in Detail



Specifications



SL 450 (231.466)

- MSRP \$tba
- 3.0L V6 biturbo engine
- 362 hp
- 369 lb-ft
- Launch date: Summer 2017



SL 550 (231.473)

- MSRP \$tba
- 4.7L V8 biturbo engine
- 449 hp
- 516 lb-ft
- Launch date: Summer 2017





Standard Equipment

- Mirror Logo Lamps
- Mercedes-Benz Star in Black without Laurel on wheels and front grille
- Rearview Camera (218) for SL450

Optional Equipment

- AMG Sport Steering Wheel in Leather/DINAMICA (L5I)
- Seat Belts in Silver (Y04) and Red (Y05)
- Deletion of Aluminum Trim (739)





Performance & Handling

- 3.0L V6 biturbo engine (362 hp, 369 lb-ft) (SL 450)
- 4.7L V8 biturbo engine (449 hp, 516 lb-ft) (SL 550)
- 19" Light Alloy Wheels
- 9G-TRONIC 9-Speed Transmission
- DYNAMIC SELECT Driving Programs
- AMG Body Styling (SL 450)
- AMG Line Exterior (SL 550)

Comfort & Convenience

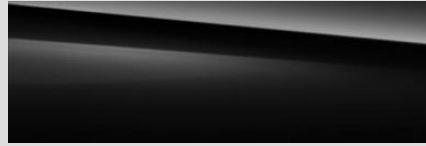
- 5 Years of mbrace® Connect Service
- Ambient Lighting
- Bluetooth® Connectivity
- Electric trunk partition
- Garage door opener
- MAGIC VISION CONTROL®
- Power front seats with memory function
- Retractable hardtop with panorama roof
- Smartphone Integration with Apple CarPlay™ and Android Auto
- Wind Deflector
- Active multicontour seats with massage function (SL 550)
- AIRSCARF® Neck-Level Heating (SL 550)
- Electric trunk closer (SL 550)
- Heated & active ventilated front seats (SL 550)
- KEYLESS GO® with HANDS-FREE ACCESS (SL 550)
- Parking Pilot (SL 550)

Safety & Security

- 24-Hour Roadside Assistance
- Active LED Headlamps
- Antitheft Alarm
- ATTENTION ASSIST®
- Auto-Dimming Side and Rearview Mirrors
- Driver and Passenger Knee Airbags
- Electronic Stability Program (ESP®)
- New Vehicle 4-Year / 50,000 Mile Warranty
- PRE-SAFE®
- Rearview camera



Non-metallic Paints

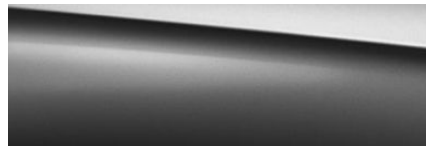


040
Black
Option Price: \$0

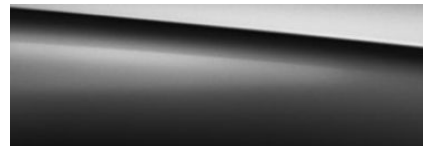


149
Polar White
Option Price: \$0

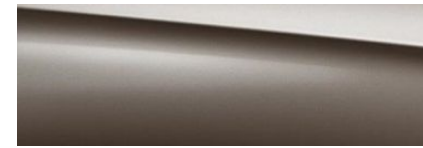
Metallic Paints



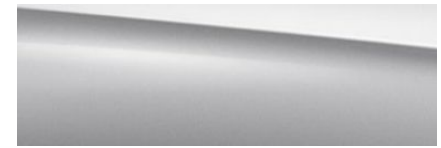
183
Magnetite Black
Option price: \$0



197
Obsidian Black
Option price: \$0



526
Dolomite Brown
Option price: \$0



775
Iridium Silver
Option Price: \$0



896
Brilliant Blue
Option Price: \$0



992
Selenite Grey
Option Price: \$0

designo® Paints



996 
Cardinal Red
Option Price: \$360



799 
Diamond White
Option Price: \$795



297
Selenite Grey Magno
Option Price: \$1,300



R82
19" 5-Spoke Wheels
Black Accents
Option price: \$0
Only SL 450



R97
19" 10-Spoke Wheels
Black Accents
Option price: \$0
Only SL 450



752
19" AMG 5-Spoke Wheels
Option price: \$0
Only SL 550



788
19" AMG Multi-Spoke Wheels
Option price SL 450: \$500
Option price SL 550: \$0





<i>Code</i>	<i>Wheel Size</i>	<i>Description</i>	<i>Wheel Dimensions</i>	<i>Mobility</i>	<i>Availability</i>	<i>MSRP</i>
R82	19"	5-Spoke Wheels with Black Accents	255/35 R 19 on 8.5 J x 19 ET 35.5 285/30 R 19 on 9.5 J x 19 ET 47.5	front rear	R01, R66 SL 450	\$ 0
R97	19"	10-Spoke Wheels with Black Accents	255/35 R 19 on 8.5 J x 19 ET 35.5 285/30 R 19 on 9.5 J x 19 ET 47.5	front rear	R01, R66 SL 450	\$ 0
752	19"	AMG 5-Spoke Wheels	255/35 R 19 on 8.5 J x 19 ET 35.5 285/30 R 19 on 9.5 J x 19 ET 47.5	front rear	R01, R66 SL 550	\$ 0
788	19"	AMG Multi-Spoke Wheels	255/35 R 19 on 8.5 J x 19 ET 35.5 285/30 R 19 on 9.5 J x 19 ET 47.5	front rear	R01, R66 SL 450 SL 550	\$ 500 \$ 0

Interior Upholstery – Leather



201
Black
Option price: \$0



205
Ginger Beige/Esspresso Brown
Option price: \$0



207
Bengal Red/Black
Option price: \$0



218
Crystal Grey/Black
Option price: \$0



Interior Upholstery – Nappa Leather



801
Black

Option price: \$900



805
Ginger Beige/Espresso Brown

Option price: \$900



807
Bengal Red/Black

Option price: \$900



814
Saddle Brown/Black

Option price: \$900



815
Porcelain/Black

Option price: \$900



Interior Upholstery – Exclusive Nappa Leather



501
Black

Option price: \$1,900
Image does not reflect black seat belt



505
Ginger Beige/Espresso Brown

Option price: \$1,900



507
Bengal Red/Black

Option price: \$1,900



514
Saddle Brown/Black

Option price: \$1,900



515
Porcelain/Black

Option price: \$1,900



Interior Upholstery – *designo* Exclusive Nappa Leather



X10+501
Sand/Black
Option price: \$4,500



X17+501
Classic Red
Option price: \$4,500



X18+501
Tuscany Beige Pearl/Black
Option price: \$4,500



X24+501
Sienna Brown/Black
Option price: \$4,500



X26+501
Titanium Grey Pearl/Black
Option price: \$4,500



X30+501
Platinum White/Black
Option price: \$4,500

Interior Upholstery – *designo* Exclusive Nappa Leather



X35+501
Light Brown/Black
Option price: \$4,500



X46+501
Deep White/Black
Option price: \$4,500





<i>Code</i>	<i>Upholstery</i>	<i>Seats</i>	<i>Floor Mats</i>	<i>Upper Dash/Lower Dash</i>	<i>Seat Belts</i>	<i>Steering Wheel</i>	<i>Headliner</i>
201	Black leather	Black	Black	Black/Black	Black	Black	Crystal Grey
205	Ginger Beige/Espresso Brown leather	Ginger Beige	Ginger Beige	Espresso Brown/Ginger Beige	Ginger Beige	Espresso Brown	Ginger Beige
207	Bengal Red/Black leather	Bengal Red	Black	Black/Bengal Red	Black	Black	Black
218	Crystal Grey/Black leather	Crystal Grey	Black	Black/Crystal Grey	Crystal Grey	Black	Crystal Grey
801	Black Nappa leather	Black	Black	Black/Black	Black	Black	Crystal Grey
805	Ginger Beige/Espresso Brown Nappa leather	Ginger Beige	Ginger Beige	Espresso Brown/Ginger Beige	Ginger Beige	Espresso Brown	Ginger Beige
807	Bengal Red/Black Nappa leather	Bengal Red	Black	Black/Bengal Red	Black	Black	Black
814	Saddle Brown/Black Nappa leather	Saddle Brown	Black	Black/Black	Black	Black	Black
815	Porcelain/Black Nappa leather	Porcelain	Black	Black/Porcelain	Porcelain	Black	Black
501	Black Exclusive Nappa leather	Black	Black	Black/Black	Black	Black	Black DINAMICA
505	Ginger Beige/Espresso Brown Exclusive Nappa leather	Ginger Beige	Ginger Beige	Espresso Brown/Ginger Beige	Ginger Beige	Espresso Brown	Ginger Beige DINAMICA
507	Bengal Red/Black Exclusive Nappa leather	Bengal Red	Black	Black/Bengal Red	Black	Black	Black DINAMICA
514	Saddle Brown/Black Exclusive Nappa leather	Saddle Brown	Black	Black/Saddle Brown	Black	Black	Black DINAMICA
515	Porcelain/Black Exclusive Nappa leather	Porcelain	Black	Black/Porcelain	Porcelain	Black	Black DINAMICA



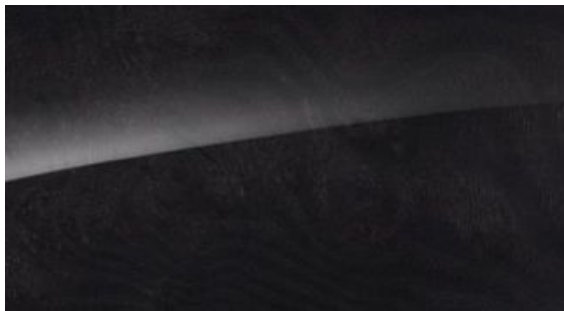
H42

Aluminum with Light Carbon Grain trim

Option price: \$0

Not available with Wood/Leather

Steering Wheel (L5D)



736

High-Gloss Black Ash wood trim

Option price: \$0



729

designo Satin Brown Poplar wood trim

Option price: \$0

Not available with Crystal Grey/Black

upholstery (218)



731

High-Gloss Burl Walnut trim

Option price: \$0



W26

designo Bamboo trim

Option price: \$1,500

Not available with Wood/Leather

Steering Wheel (L5D)



W69

designo Black Piano Lacquer trim

Option price: \$1,500

Not available with Wood/Leather

Steering Wheel (L5D)



W70

designo Champagne White Lacquer trim

Option price: \$1,500

Not available with Wood/Leather

Steering Wheel (L5D)



H73

AMG Carbon Fiber trim

Option price: \$2,850

Not available with Wood/Leather

Steering Wheel (L5D)






<i>Code</i>	<i>Packages</i>	<i>Availability</i>	<i>MSRP</i>
P01	Premium Package <i>Standard on SL 550</i> <ul style="list-style-type: none"> ▪ U28 – Grey-Painted Brake Calipers & Perforated Brake Disks ▪ 235 – Parking Pilot ▪ 401 – Heated & Active Ventilated Front Seats ▪ 403 – AIRSCARF® ▪ 432 – Active Multicontour Seats with Massage ▪ 881 – Electronic Trunk Closer ▪ 889 – KEYLESS GO® with HANDS-FREE ACCESS 	All Models	\$ tba
997	Driver Assistance Package <ul style="list-style-type: none"> ▪ 233 – Distance Pilot DISTRONIC® with Steering Pilot ▪ 237 – Active Blind Spot Assist ▪ 238 – Active Lane Keeping Assist ▪ 253 – PRE-SAFE® PLUS ▪ 266 – Cross-Traffic Assist ▪ 268 – BAS PLUS® ▪ 269 – Active Brake Assist with Cross-Traffic Function ▪ 300 – Collision mitigation (PRE-SAFE Brake) 	All Models	\$ 2,250

Stand-Alone Options



<i>Code</i>	<i>Options</i>	<i>Availability</i>	<i>MSRP</i>
L5D	Wood/leather steering wheel	All Models	\$ 650
L5I	AMG Sport Steering Wheel in Leather/DINAMICA	SL 450, SL 550	\$ tba
U25	Illuminated Door Sills	All Models	\$ 350
Y04	Seat Belts in Silver	All Models	\$ tba
Y05	Seat Belts in Red	All Models	\$ tba
412	Panorama Roof with MAGIC SKY CONTROL®	All Models	\$ 2,500
487	 Active Body Control with CURVE function	All Models	\$ 4,090
811	Bang & Olufsen BeoSound® Premium Sound System	All Models	\$ 5,400
883	Soft Close Doors	All Models	\$ 450



Headlamps



Active LED Headlamps (640)

Standard

All functions feature LED technology

- LED Headlamps
- LED taillamps
- Low energy consumption
- Much longer bulb life



Picture shows different engine badge



Steering Wheels



Multifunction Sport Steering Wheel (L5C)

Standard

- For outstanding vehicle control and ergonomics, the multifunction sports steering wheel in Nappa leather has a flattened bottom section. Exclusive sportiness is also evident in the 3-spoke design, the silver-colored steering wheel gearshift paddles.



Wood / Leather Steering Wheels (L5D)

Not available with Crystal Grey/Black upholstery (218)

Not available with H42, H73, W26, W69, W70 Trims

- The combination of high-quality leather in the grip area and fine wood inserts at the top and bottom make this steering wheel a visual and tactile highlight. The wood finish is the same type as the selected wood trim.



AMG Sport Steering Wheel w/ DINAMICA inserts (L5I)

Picture does not show accurate stitching on the steering wheel.

- For outstanding vehicle control and ergonomics, the multifunction sports steering wheel in Nappa leather has a flattened bottom section. A sense of exclusive sportiness is conveyed by the grip area, which is finished in DINAMICA microfiber.



MAGIC SKY CONTROL® (412)



MAGIC SKY CONTROL® (412)

At a simple push of a button, MAGIC SKY CONTROL creates an open-air feeling when the roof is closed. The panoramic vario-roof changes from dark to transparent or vice versa within a few seconds. In its tinted state, it substantially reduces heating-up of the vehicle interior. MAGIC SKY CONTROL is activated via a switch in the overhead control panel. When electrical voltage is applied, particles in the glass structure align themselves so that light can pass through the glass.

- changes from dark to transparent or vice versa at the press of a button
- Low heating-up of the vehicle interior in tinted mode
- Open-air feeling even with roof closed in transparent setting
- Operation of the Retractable Hardtop (opening/closing) possible when moving off up to a speed of 25 mph
- Automatic boot separator - manual opening or closing of the boot separator no longer required





AIRSCARF® (403)



AIRSCARF® (403)

Included in Premium Package (P01)

This neck-level heating makes open-top driving a pleasure even at low temperatures. Through adjustable air outlets in the head restraints, pleasantly warm air is 'wrapped' around the necks of the driver and front passenger like an invisible scarf. The desired temperature can be set in three stages. The cool air flows over fins and is heated by a PTC heating element (PTC: positive temperature coefficient). A blower then ensures the required outflow speed. The outflow speed automatically is adjusted to the travelling speed.

- Neck-level heating for driver and front passenger makes comfortable open-top driving possible even at low ambient temperatures
- Through air outlets in the head restraints, pleasantly warm air flows around the head and neck
- Setting of temperature with 3-stage switch
- Airflow adjusted by adjusting air outlets
- The speed of the exiting air automatically adjusts to the travelling speed



DYNAMIC SELECT (B59)

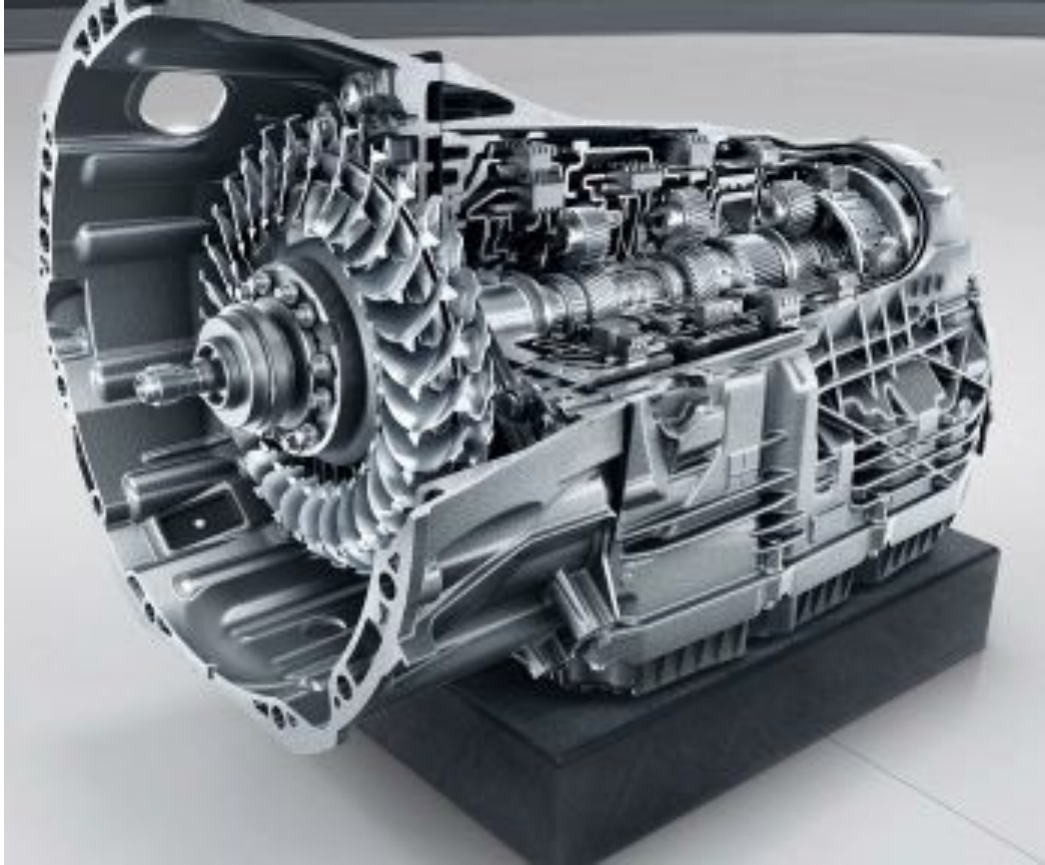


DYNAMIC SELECT (B59)

Standard on all models

- Choice of five different drive modes as required – comfort-oriented, sporty, particularly sporty, efficient or completely individual
- Adjustment of parameters such as engine, transmission, suspension, steering, climate control or ECO start/stop function
- Default setting "Comfort": well-balanced and fuel-efficient
- "Eco" mode: for keeping fuel consumption as low as possible adjustments to the accelerator pedal curve and shift points. Adjustment of the output of equipment items such as heated seats, heated rear window and air conditioning. Additional sailing function
- "Sport" mode: more agility and dynamism with more direct steering characteristics, sporty, taut suspension tuning, spontaneous throttle response and modified shift points
- "Sport+" mode: further enhanced sportiness, suspension and drive train even more dynamically tuned
- "CURVE" mode: Curve tilting function and relaxed cruising - Eco transmission mode is cancelled at the same time, the sailing function is active with the Comfort setting
- "Individual" mode: individual parameters can be varied as required, using the DYNAMIC SELECT button and the configuration menu in the head unit

9G-TRONIC Transmission (421)



DYNAMIC SELECT (421)

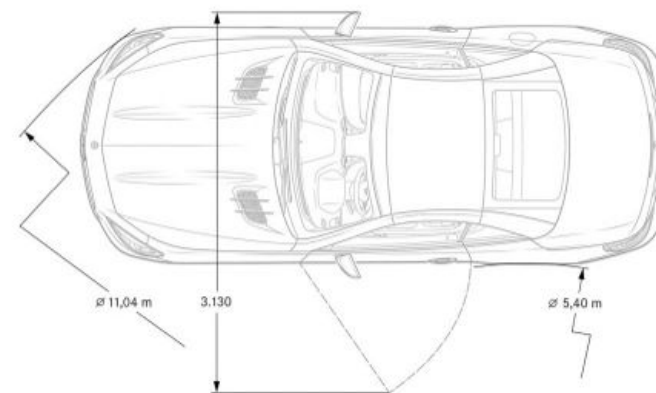
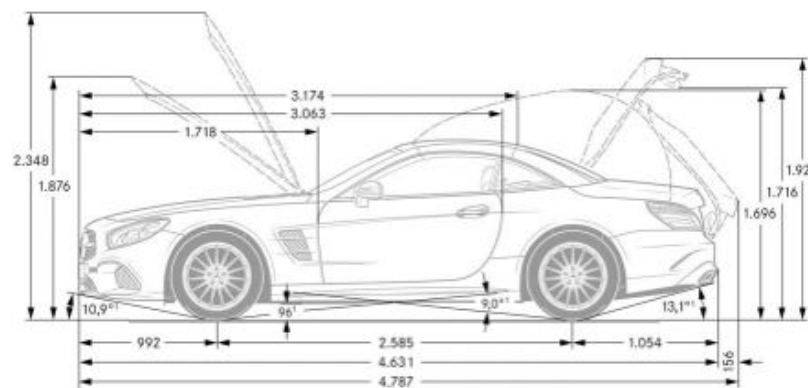
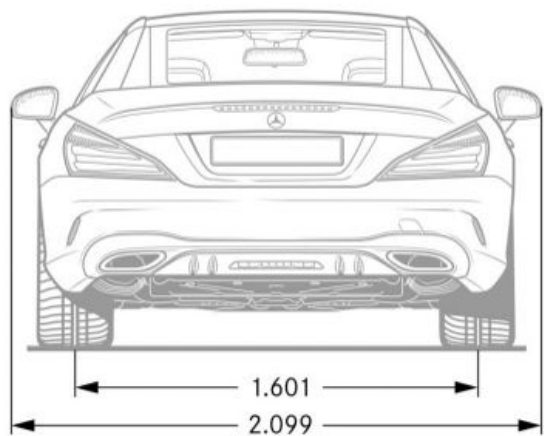
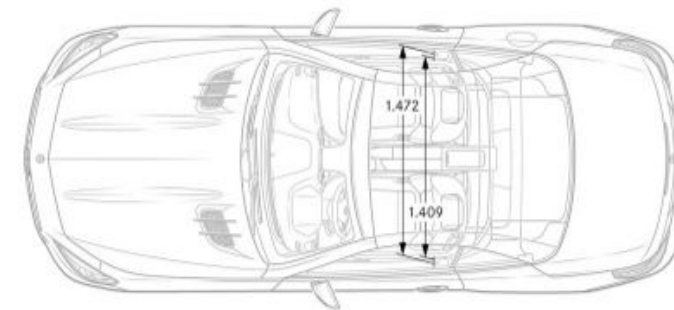
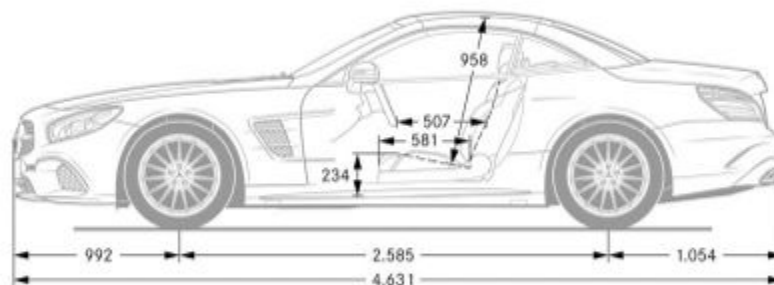
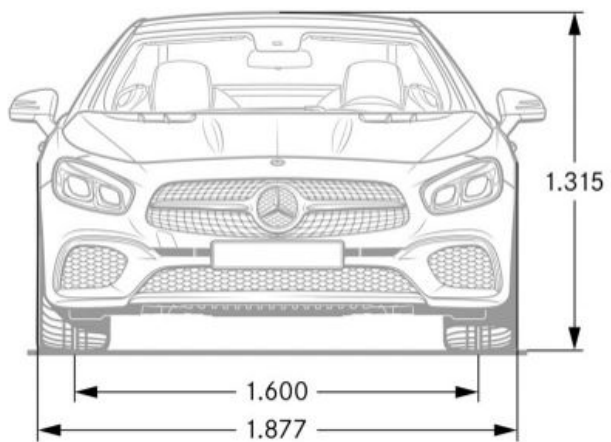
Standard on all models

- Choice of five different drive modes as required – comfort-oriented, sporty, particularly sporty, efficient or completely individual
- Adjustment of parameters such as engine, transmission, suspension, steering, climate control or ECO start/stop function
- Default setting "Comfort": well-balanced and fuel-efficient
- "Eco" mode: for keeping fuel consumption as low as possible adjustments to the accelerator pedal curve and shift points. Adjustment of the output of equipment items such as heated seats, heated rear window and air conditioning. Additional sailing function
- "Sport" mode: more agility and dynamism with more direct steering characteristics, sporty, taut suspension tuning, spontaneous throttle response and modified shift points
- "Sport+" mode: further enhanced sportiness, suspension and drive train even more dynamically tuned
- "CURVE" mode: Curve tilting function and relaxed cruising - Eco transmission mode is cancelled at the same time, the sailing function is active with the Comfort setting
- "Individual" mode: individual parameters can be varied as required, using the DYNAMIC SELECT button and the configuration menu in the head unit



	<i>SL 450</i>	<i>SL 550</i>
Engine Configuration	3.0L V6 Biturbo	4.7L V8 Biturbo
Power (hp)	362 @ 5,500-6,000rpm	449hp @ 5,500-6,000rpm
Torque (lb-ft)	369 @ 2,000-4,200rpm	516 @ 1,800-3,500rpm
Displacement (cc)	2,996 cc	4,663 cc
Acceleration 0-60 mph (sec)	4.9	4.3
Fuel Economy (Cty/Hwy/Comb)	20 / 28 / 23	17 / 25 / 20
Top Speed (mph)	155 (lim.)	155 (lim.)
Fuel Requirement (Octane)	91	91
# Valves per cylinder	4	4
Compression	10.5 : 1	10.5 : 1
Transmission	9G-TRONIC	9G-TRONIC
Transmission Speeds	9	9
Drive Configuration	Rear-Wheel Drive	Rear-Wheel Drive
Fuel Tank Size (gallons)	19.8	19.8
Trunk Size (cubic feet)	13.5 (Top up) 8.5 (Top down)	13.5 (Top up) 8.5 (Top down)
Curb Weight (lbs)	3,826	3,959
Maximum Load (lbs)	tba	tba
Vehicle Length (in.)	182.3	182.3
Vehicle Width w/ exterior mirrors (in.)	82.6	82.6
Vehicle Height (in.)	51.2	51.2
Wheelbase (in.)	101.7	101.7
Track Width Front/Rear (in.)	62.8 / 63.0	62.8 / 63.0

Specifications* – SL 550



AMG SL Roadster



Model Year 2018

Pricing Preliminary

All Content Subject to Change

AMG
DRIVING PERFORMANCE

SL 63 & SL 65



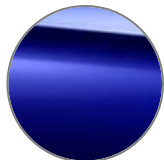
Models



What's new



Standard Equipment



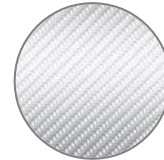
Exterior Paint Colors



Wheels



Interior Upholstery



Interior Trims



Option Packages



Stand-Alone Options



Options in Detail



Specifications



SL 63 (231.474)

- MSRP \$TBA
- Handcrafted AMG 5.5L V8 biturbo engine
- 577hp
- 664 lb-ft
- 4.0 sec (0-60 mph)
- Launch date: Q3 2017



SL 65 (231.479)

- MSRP \$TBA
- Handcrafted AMG 6.0L V12 biturbo engine
- 621hp
- 738 lb-ft
- 3.9 sec (0-60 mph)
- Launch date: Q3 2017

Standard Equipment

- Mirror logo lamps added
- Mercedes-Benz star on wheels and above front grille becomes Black without Laurel

Performance & Handling

- AMG SPEEDSHIFT® MCT 7-speed transmission (*SL 63 only*)
- AMG SPEEDSHIFT® PLUS 7G-TRONIC transmission (*SL 65 only*)
- AMG Sport Exhaust system with dynamic flaps
- AMG High-Performance Compound Braking System
- AMG Performance Steering Wheel with Shift Paddles
- AMG Adaptive Performance Suspension based on Active Body Control
- AMG DYNAMIC SELECT
- High-Performance Summer tires with TIREFIT
- 19" Staggered Width Alloy Wheels (*SL 63 only*)
- 19"F/20"R Staggered Width Forged Alloy Wheels (*SL65 Only*)
- Carbon Fiber Engine Cover (*SL65 Only*)

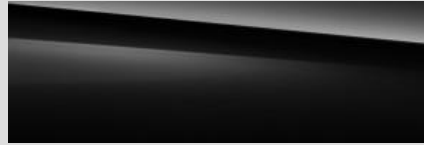
Comfort & Convenience

- MAGIC VISION CONTROL
- COMAND NTG 5*1 Infotainment system
- AIRSCARF
- Ambient Lighting in 3-colors
- Active Multicontour Front Seats
- IWC Analogue Clock in Dashboard
- DINAMICA Headliner (*SL 63 only*)
- Nappa Leather Headliner (*SL 65 only*)
- Bang & Olufsen BeoSound Sound system (*SL65 only*)

Safety & Security

- COLLISION PREVENTION ASSIST PLUS
- Active LED Headlamps
- ATTENTION ASSIST
- Auto-dimming side and rear view mirrors
- Parking Pilot
- 5years of mbrace® Connect service, with three packages available
- Rearview Camera

Non-metallic Paints



040
Black



149
Polar White

Metallic Paints



183
Magnetite Black



197
Obsidian Black



526
Dolomite Brown



775
Iridium Silver



896
Brilliant blue



992
Selenite Grey

designo[®] Paints



996
Cardinal Red
Option price: \$360



799
Diamond White
Option price: \$795



297
Selenite Grey Magno
Option price: \$1,300



799
19" AMG 10-Spoke
R01, B51
Option price: \$0
SL 63 only

659
19"/20" Forged AMG 10-Spoke
R01, B51
Option price: \$0
SL 65 only

657
19"/20" AMG Forged Cross-Spoke
R01, B51
Option price for SL 63: \$1,700
Option price for SL 65: \$0

658
19"/20" AMG Forged Cross-Spoke, Black
R01, B51
Option price for SL 63: \$2,200
Option price for SL 65: \$500

<i>Code</i>	<i>Wheel Size</i>	<i>Description</i>	<i>Wheel Dimensions</i>	<i>Mobility</i>	<i>Availability</i>	<i>MSRP</i>
799	19"	19" AMG 10-Spoke Wheel	255/35 R 19 on 9 J x 19 ET27 (Front) 285/30 R 19 on 10 J x 19 ET48 (Rear)	R01, B51	SL 63	\$ 0
659	19"/20"	19"/20" AMG Forged 10-Spoke Wheel	255/35 R 19 on 9 J x 19 ET27 (Front) 285/30 R 20 on 10 J x 20 ET48 (Rear)	R01, B51	SL 65	\$ 0
657	19"/20"	19"/20" AMG Forged Cross-Spoke	255/35 R 19 on 9 J x 19 ET27 (Front) 285/30 R 20 on 10 J x 20 ET48 (Rear)	R01, B51	SL 63 SL 65	\$ 1,700 \$ 0
658	19"/20"	19"/20" AMG Forged Cross-Spoke, Black	255/35 R 19 on 9 J x 19 ET27 (Front) 285/30 R 20 on 10 J x 20 ET48 (Rear)	R01, B51	SL 63 SL 65	\$ 2,200 \$ 500

Interior Upholstery – Nappa Leather



801
Black
Option Price: \$0
SL 63 only



805
Ginger Beige/Espresso Brown
Option Price: \$0
SL 63 only
Not available with L6K Steering Wheel



807
Bengal Red/Black
Option Price: \$0
SL 63 only



815
Porcelain/Black
Option Price: \$0
SL 63 only

Interior Upholstery – Exclusive Nappa Leather



501
Black
Option Price: \$0
SL 65 only



505
Ginger Beige/Espresso Brown
Option Price: \$0
SL 65 only



507
Bengal Red/Black
Option Price: \$0
SL 65 only



515
Porcelain/Black
Option Price: \$0
SL 65 only

Interior Upholstery – *designo* Exclusive Nappa Leather



X26+501
Titanium Grey Pearl/Black
Option Price: \$3,100
SL 63 only
Must specify control code 501



X46+501
Deep White/Black
Option Price: \$3,100
SL 63 only
Must specify control code 501



X18+501
Tuscany Beige Pearl
Option Price: \$3,100
SL 63 only
Must specify control code 501



X30+501
Platinum White/Black
Option Price: \$3,100
SL 63 only
Must specify control code 501



X17+501
Classic Red/Black
Option Price: \$3,100
SL 63 only
Must specify control code 501



X10+501
Sand/Black
Option Price: \$3,100
SL 63 only
Must specify control code 501

Interior Upholstery – *designo* Exclusive Nappa Leather



X24+501
Sienna Brown/Black
Option Price: \$3,100
SL 63 only
Must specify control code 501



X35+501
Light Brown/Black
Option price: \$3,100
SL 63 only
Must specify control code 501

Interior Upholstery – *designo* Exclusive Nappa Leather



X26+501
Titanium Grey Pearl/Black
Option Price: \$2,600
SL 65 only
Must specify control code 501



X46+501
Deep White/Black
Option Price: \$2,600
SL 65 only
Must specify control code 501



X18+501
Tuscany Beige Pearl/Black
Option Price: \$2,600
SL 65 only
Must specify control code 501



X30+501
Platinum White/Black
Option Price: \$2,600
SL 65 only
Must specify control code 501



X17+501
Classic Red/Black
Option Price: \$2,600
SL 65 only
Must specify control code 501



X10+501
Sand/Black
Option Price: \$2,600
SL 65 only
Must specify control code 501

Interior Upholstery – *designo* Exclusive Nappa Leather



X24+501

Sienna Brown/Black

Option Price: \$2,600

SL 65 only

Must specify control code 501



X35+501

Light Brown/Black

Option price: \$3,100

SL 65 only

Must specify control code 501

<i>Code</i>	<i>Upholstery</i>	<i>Floor Mats</i>	<i>Upper Dash/Lower Dash</i>	<i>Seat Belts</i>	<i>Steering Wheel</i>	<i>Headliner</i>
801	Black Nappa Leather	Black	Black/Black	Black	Black	Black DINAMICA
805	Ginger Beige/Espresso Brown Nappa Leather	Beige	Espresso Brown/Ginger Beige	Ginger Beige	Espresso Brown	Black DINAMICA
807	Bengal Red/Black Nappa Leather	Black	Black/Bengal Red	Black	Black	Black DINAMICA
815	Porcelain/Black Nappa Leather	Black	Black/Porcelain	Porcelain	Black	Black DINAMICA
501	Black Exclusive Nappa Leather	Black	Black/Black	Black	Black	Black Nappa Leather
505	Ginger Beige/Espresso Brown Exclusive Nappa Leather	Beige	Espresso Brown/Ginger Beige	Ginger Beige	Espresso Brown	Black Nappa Leather
507	Bengal Red/Black Exclusive Nappa Leather	Black	Black/Bengal Red	Black	Black	Black Nappa Leather
515	Porcelain/Black Exclusive Nappa Leather	Black	Black/Porcelain	Porcelain	Black	Black Nappa Leather
X26+501	Titanium Grey Pearl/Black Exclusive Nappa Leather	Black	Black/Titanium Grey Pearl	Black	Black	SL63: Black DINAMICA SL65: Black Nappa Leather
X46+501	Deep White/Black Exclusive Nappa Leather	Black	Black/Deep White	Beige	Black	SL63: Black DINAMICA SL65: Black Nappa Leather
X18+501	Tuscany Beige Pearl Exclusive Nappa Leather	Black	Black/Tuscany Beige Pearl	Black	Black	SL63: Black DINAMICA SL65: Black Nappa Leather
X30+501	Platinum White/Black Exclusive Nappa Leather	Black	Black/Platinum White	Black	Black	SL63: Black DINAMICA SL65: Black Nappa Leather
X17+501	Classic Red/Black Exclusive Nappa Leather	Black	Black/Classic Red	Black	Black	SL63: Black DINAMICA SL65: Black Nappa Leather
X10+501	Sand/Black Exclusive Nappa Leather	Black	Black/Sand	Beige	Black	SL63: Black DINAMICA SL65: Black Nappa Leather
X24+501	Sienna Brown/Black Exclusive Nappa Leather	Black	Black/Sienna Brown	Black	Black	SL63: Black DINAMICA SL65: Black Nappa Leather
X35+501	Light Brown/Black Exclusive Nappa Leather	Black	Black/Light Brown	Black	Black	SL63: Black DINAMICA SL65: Black Nappa Leather



H42

Aluminum Carbon Trim

Option Price: \$0

Not available with 805 & 505 upholstery

Not available with Wood/Leather

Steering Wheel (L5D)



731

High Gloss Burl Walnut

Option Price: \$0



736

High Gloss Black Ash Wood

Option Price: \$0



729

designo Satin Brown Poplar Wood

Option Price: \$0



W26

designo Bamboo

Option Price: \$1,500

Not available with Wood/Leather

Steering Wheel (L5D)



W69

designo Black Piano Lacquer

Option Price: \$1,500

Not available with Wood/Leather

Steering Wheel (L5D)



W70

designo Champagne White Lacquer

Option Price: \$1,500

Not available with Wood/Leather

Steering Wheel (L5D)



H73

AMG Carbon Fiber Trim

Option Price: \$0

Not available with Wood/Leather

Steering Wheel (L5D)

<i>Code</i>	<i>Packages</i>	<i>Availability</i>	<i>MSRP</i>
P01	Premium Package 235 – Parking Pilot 401 – Heated & Active Ventilated Front Seats 403 – AIRSCARF® neck-level heating 432 – Active Multicontour Seats with Massage 881 – Electronic Trunk Closer 889 – KEYLESS GO® with HANDS-FREE ACCESS U28 – Grey-Painted Brake Calipers & Perforated Brake Disks	All Models	Standard
997	Driver Assistance Package 233 – Distance Pilot DISTRONIC with Steering Pilot 266 – Cross-Traffic Assist 237 – Active Blind Spot Assist 238 – Active Lane Keeping Assist 253 – PRE-SAFE® PLUS 269 – Active Brake Assist with Cross-Traffic Function 268 – BAS PLUS® 300 – Collision mitigation (PRE-SAFE Brake)	SL 63	\$ 2,250
773	Carbon Fiber Exterior Package Carbon fiber elements: lower front air splitter, lower rear apron, rearview mirror cover and rocker panel insert	All Models	\$ 3,570
P60	AMG Exterior Night Styling Package Gloss black elements: lower front air splitter, lower rear apron, rearview mirror cover and rocker panel insert	All Models	\$ 750

<i>Code</i>	<i>Options</i>	<i>Availability</i>	<i>MSRP</i>
U70	AMG Red-painted brake calipers	All Models	\$ 1,000
B07	AMG High-Performance Ceramic Composite Braking System	All Models	\$ 8,950
Y04	Silver seat belts	All Models	\$ 300
Y05	Red seat belts	All Models	\$ 300
L6K	AMG Performance Steering Wheel with DINAMICA Side Grips	All Models	\$ 500
L5D	Wood/Leather Steering Wheel	All Models	\$ 650
811	Bang & Olufsen BeoSound® Premium Sound System	All Models	\$ 5,400
B14	Carbon Fiber engine cover	SL 63	\$ 1,500
486	AMG Performance Suspension with 2-stage adjustment	SL 63	\$ 1,500
883	Soft close doors	SL 63	\$ 450
412	Panorama roof with MAGIC SKY CONTROL®	SL 63	\$ 2,500
501 + X__	<i>designo</i> Exclusive Nappa Leather including: <ul style="list-style-type: none"> ▪ Seat pattern exclusive to <i>designo</i> Exclusive upholsteries ▪ Exclusive Horizontal Striping Design (<i>SL63</i>) ▪ Exclusive Diamond Stitching (<i>SL65</i>) ▪ Extended Nappa leather on dashboard and door panels 	SL 63 SL 65	\$ 3,100 \$ 2,600

Steering Wheels



AMG Nappa Leather Performance steering wheel (L6J)

Standard

- AMG sports steering wheel in nappa leather
- Covered with perforated leather
- AMG-specific shift paddles in bead-blasted die-cast zinc
- Chrome-plated "AMG" badge



AMG Performance Steering Wheel w/ DINAMICA inserts (L6K)

Option price: \$500

Not available with 805 or 505 upholstery

- AMG Performance steering wheel in Nappa leather
- Grip area upholstered in DINAMICA microfiber
- AMG-specific shift paddles in bead-blasted die-cast zinc
- Chrome-plated "AMG" badge



Wood/Leather Steering Wheel (L5D)

Option Price: \$650

Not available with H42, H73, W26, W69, W70 Trims

- High-quality leather in the grip area
- Fine wood inserts at the top and bottom make
- Wood finish is the same type as the selected wood trim

Brakes



AMG High-Performance Braking System (B06)

Standard

- The brake calipers painted in a silver color with AMG logo convey a sense of value and sportiness
- Front axle: 15.4" front brake discs, internally ventilated and perforated with 6-piston fixed calipers
- Rear axle: 14.2" rear brake discs, internally ventilated and perforated with single-piston floating caliper



AMG High-Performance Composite Braking System (U70)

Option price: \$1,000

- Painting the brake calipers in red visually underscores the high performance of the composite braking system
- Front axle: 15.4" front brake discs, internally ventilated and perforated with 6-piston fixed calipers
- Rear axle: 14.2" rear brake discs, internally ventilated and perforated with single-piston floating caliper



AMG High-Performance Ceramic Composite Braking System (B07)

Option price: \$8,950

- Bronze calipers are the signature of the AMG Carbon Ceramic Braking system
- Weight reduction of 40% compared with conventional compound brake discs
- Front axle: 15.8" front brake discs, internally ventilated and perforated with 6-piston fixed calipers
- Rear axle: 14.2" rear brake discs, internally ventilated and perforated with four-piston fixed caliper

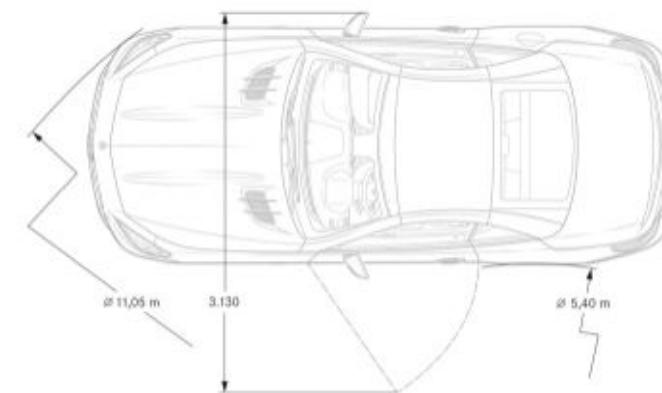
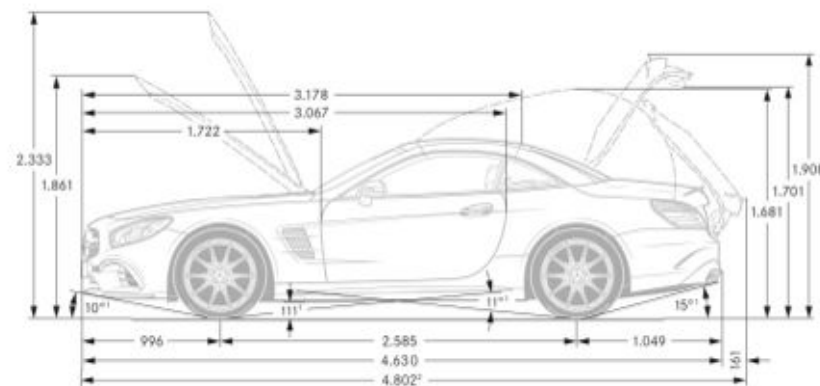
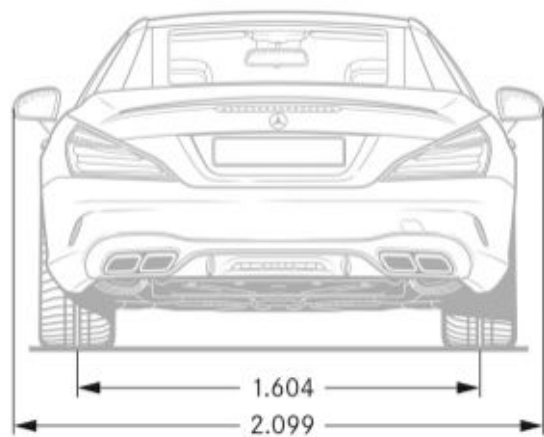
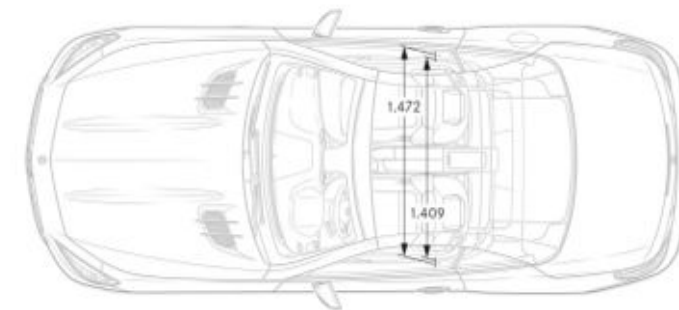
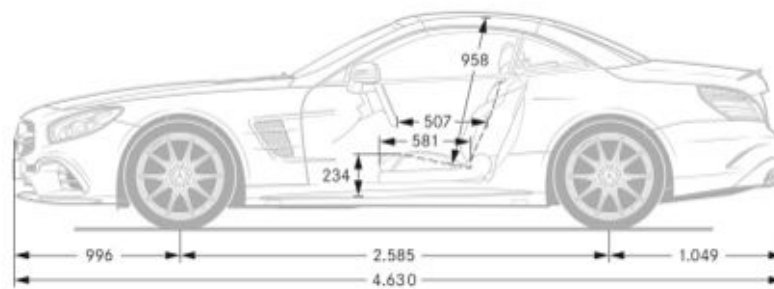
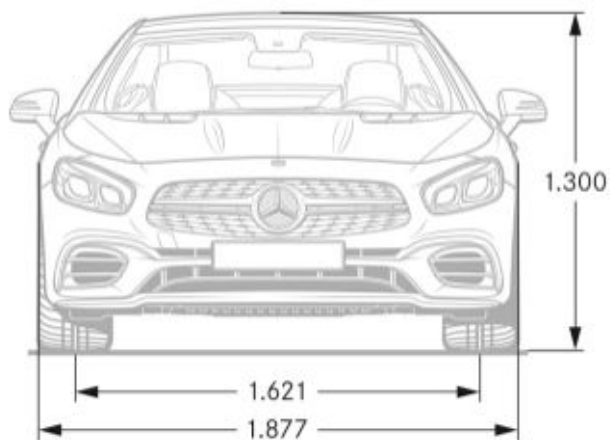
Visual Equipment Differentiation Exterior (1/2)



Visual Equipment Differentiation Exterior (2/2)



	<i>SL 63</i>	<i>SL 65</i>
Engine Configuration	Handcrafted AMG 5.5L V8 biturbo engine	6.0L Handbuilt V12 Biturbo
Power (hp)	577	621
Torque (lb-ft)	664 @ 2,250-3,750	738 @ 2,300-4,300
Displacement (cc)	5,461 cc	5,980 cc
Acceleration 0-60 mph (sec)	4.0	3.9
Fuel Economy (Cty/Hwy/Comb)	16/25/19	14/21/17
Top Speed (mph)	186	186
Fuel Requirement (Octane)	91	91
# Valves per cylinder	4	3
Compression	10.0 : 1	9.0 : 1
Transmission	AMG SPEEDSHIFT® MCT 7-speed transmission	AMG SPEEDSHIFT® PLUS 7G-TRONIC transmission
Transmission Speeds	7	7
Drive Configuration	Rear-Wheel Drive	Rear-Wheel Drive
Fuel Tank Size (gallons)	19.8	19.8
Trunk Size (cubic feet)	13.5 cu-ft (Top up) / 8.5 cu-ft (Top down)	13.5 cu-ft (Top up) / 8.5 cu-ft (Top down)
Curb Weight (lbs)	4,068	4,299
Vehicle Length (in.)	182.7	182.7
Vehicle Width with exterior mirrors (in.)	82.6	82.6
Vehicle Height (in.)	51.2	51.2
Wheelbase (in.)	101.7	101.7
Track Width Front/Rear (in.)	63.8/63.1	63.8/63.2
Coefficient of Drag (Cd)	0.32	0.32



Specifications* – SL 65

