








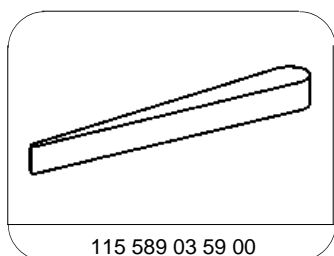
MODEL 231



P68.10-4573-07

- | | | | | | |
|---|------------------|-------|--|-------|--------------|
| 1 | Cover | 5 | Electrical connector | A70/1 | Analog clock |
| 2 | Instrument panel | 6 | Electrical connector | B32/3 | Sun sensor |
| 3 | Long wedge | 7 | Electrical connector | | |
| 4 | Clip | A44/1 | Front parking system warning indicator | | |

|   | Remove/install | | |
|--|---|--|---------------|
| 1 | Switch off ignition and remove transmitter key (A8/1) or KEYLESS-GO start/stop button (S2/3) from electronic ignition lock control unit (N73) |  KEYLESS-GO start/stop button (S2/3) only with code (889) KEYLESS-GO. | |
| 2 | Unclip cover (1) on clips (4) from instrument (2) with long wedge (3) |  First unclip cover (1) at rear.  Installation: First insert cover (1) at front into instrument panel (2).  Long wedge | *115589035900 |
| 3 | Disconnect electrical connector (5) from analog clock (A70/1) | With CODE 246 (analog clock)  Installation: Adjust time on analog clock (A70/1). | |
| 4 | Disconnect electrical connector (6) from front parking system warning indicator (A44/1) | With code (235) Active Parking Assist | |
| 5 | Disconnect electrical connector (7) from sun sensor (B32/3) | | |
| 6 | Remove cover (1) | | |
| 7 | Install in the reverse order | | |



115 589 03 59 00

Long wedge