

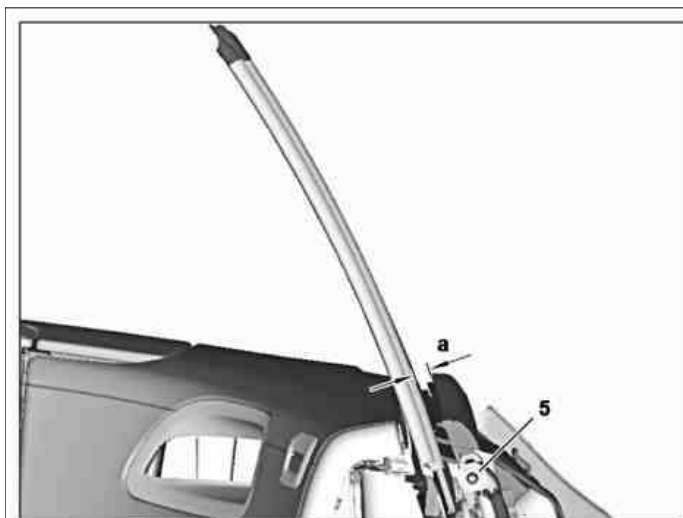
MODEL 231



P67.30-2322-08

- 1 Rear side window
2 Bolts

- 3 Adjustment screw for height stop
4 Adjustment screw for lift height



P67.30-2323-08

- 5 Screw
a Distance between edge of side wall and rear side window

- b Distance between rear side window and side window
c Height offset



P67.30-2324-08

6 Screw
d Pretension angle

E Position of rear side window

	Adjust		
1	Close soft top, vehicle door, side and rear side window (1)	⚠	Adjust dimensions (a-c) only in this state. Otherwise it is not possible to adjust dimensions (a-c) correctly.
2	Adjust distance between rear side window and side window (b) and height offset (c)	i	Adjust distance between rear side window and side window (b) (13-14 mm) and height offset (c) (0 mm) by moving rear side window (1) in elongated bolt holes (2) in increments; adjust only slightly. Do not adjust adjustment screws for height stop (3) and lift height (4). They are adjusted at the factory.
3	Tighten bolts (2)		
4	Adjust distance between edge of side wall and rear side window (a) with bolt (5)	i	The distance between the edge of the side wall and the rear side window (a) is 11.5 mm at front and 12.5 mm at rear. Do not adjust adjustment screws for height stop (3) and lift height (4).. They are adjusted at the factory.
5	Adjust tension for rear side wall (1)	i	Adjust pretension angle (arrow d) with bolt (6). Bolt (6) is accessible through opening in wheel well.
☑	Check		
6	The rear side window (1) must make uniform contact with the rubber seal for the side window from bottom to top with a slight offset toward the inside (arrows E)	i	If required, repeat steps 3 and 4.