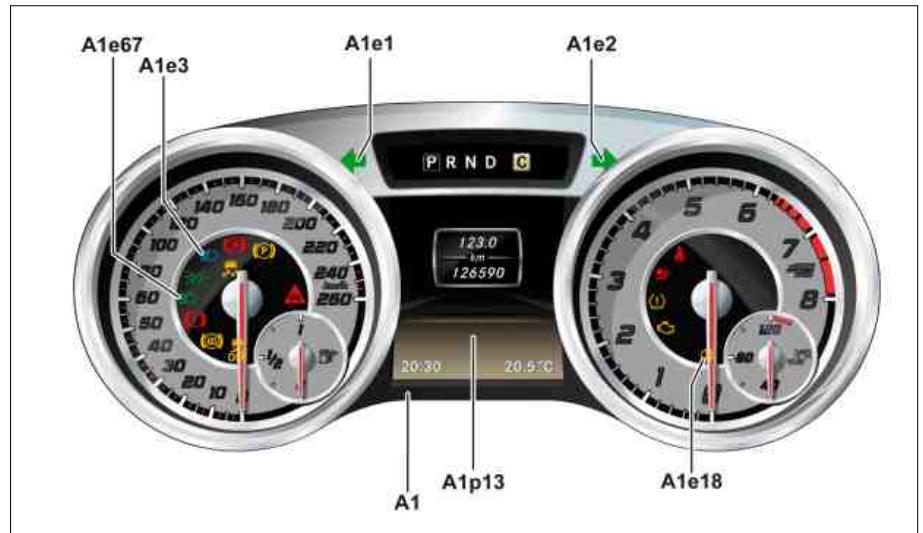


Instrument cluster display

- A1 Instrument cluster
- A1e1 Left turn signal indicator light
- A1e2 Right turn signal indicator light
- A1e3 High beam indicator lamp
- A1e18 Rear fog light indicator lamp
(without code (460) Canada version and without code (494) USA version)
- A1e67 Low beam indicator lamp
- A1p13 Multifunction display

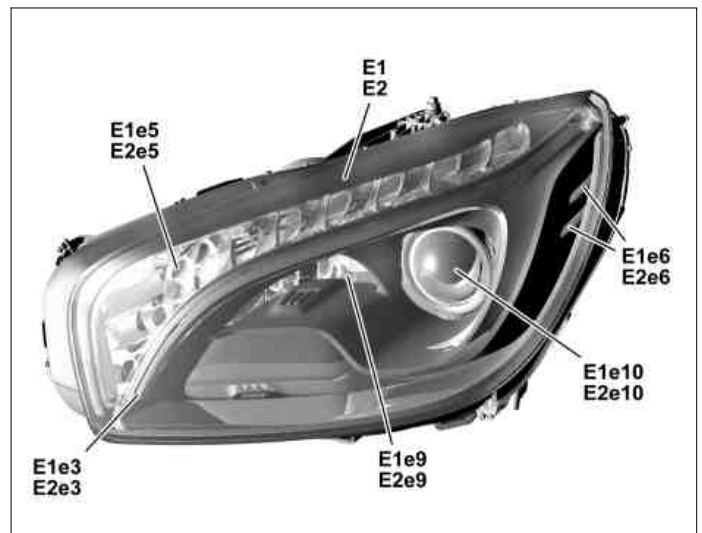


P82.10-6705-75

i The following components in the instrument cluster sending functional feedback are not shown here:

- Warning buzzer (A1h1)
- Function check of turn signal lights, acoustic (A1h2)

- E1 Left front headlamp unit
- E1e3 Left front side lamp and parking lamp
- E1e5 Left front turn signal lamp
- E1e6 Left front side marker lamp
- E1e9 Left corner-illuminating fog lamp
- E1e10 Left xenon bulb with integrated ignition module
- E2 Right front headlamp unit
- E2e3 Right front side light and parking light
- E2e5 Right front turn signal light
- E2e6 Right front side marker lamp
- E2e9 Cornering illumination, right
- E2e10 Right xenon bulb with integrated ignition module

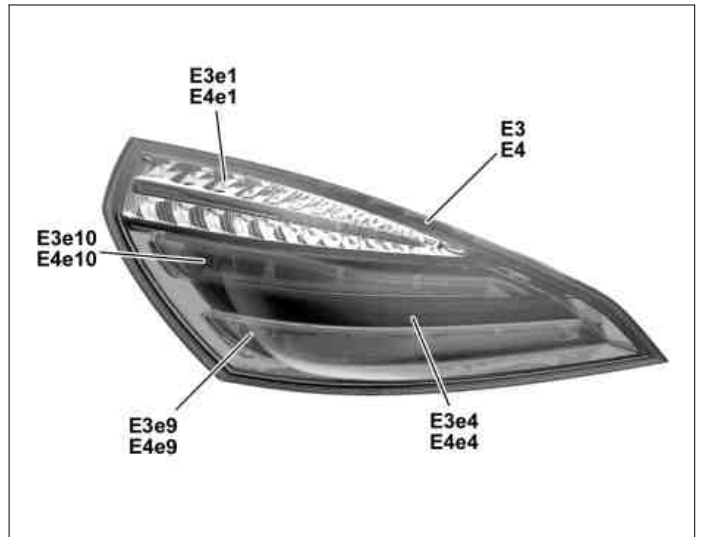


P82.10-6543-11

i The following components in the front lamp units are not shown here:

- Left headlamp range adjustment actuator motor (E1m1)
- Left active curve illumination actuator motor (E1m2)
- Left light distribution actuator motor (E1m3)
- Right headlamp range adjustment actuator motor (E2m1)
- Right active curve illumination actuator motor (E2m2)
- Right light distribution actuator motor (E2m3)

- E3 Left rear lamp unit
- E3e1 Left rear turn signal lamp
- E3e4 Left stop light
- E3e9 Lower left brake light and taillight
- E3e10 Upper left brake light and taillight
- E4 Right rear lamp unit
- E4e1 Right rear turn signal lamp
- E4e4 Right stop light
- E4e9 Lower right brake light and taillight
- E4e10 Upper right brake light and taillight



P82.10-6542-11

	Instrument cluster, component description	A1	GF54.30-P-6000RK
	Multifunction camera, component description	A40/11 With code (608) Adaptive Highbeam Assist	GF54.21-P-3300RK
	Signal lights actuation module, component description	E1n7, E2n7	GF82.10-P-2150RK
	Supplemental restraint system control unit, component description	N2/10	GF91.60-P-4080RK
	ME-SFI [ME] control unit, component description	N3/10 Engine 276.9 Engine 278.9, 157.9 Engine 279.9	GF07.61-P-6000MME GF07.61-P-6000MMF GF07.61-P-6000MUA
	Front SAM control unit with fuse and relay module, component description	N10/1	GF54.21-P-6070RK
	Rear SAM control unit with fuse and relay module, component description	N10/2	GF54.21-P-6030RK
	Electronic Stability Program control unit, component description	N30/4	GF42.45-P-5119RK
	ABC control unit, component description	N51/2 For code (487) Active Body Control (ABC)	GF32.50-P-4501RK
	Adaptive damping system control unit, component description	N51/5 Without code (487) Active Body Control (ABC)	GF32.32-P-1010RK
	Left door control unit, component description	N69/1	GF72.29-P-4143RK
	Right door control unit, component description	N69/2	GF72.29-P-4144RK
	Headlamp control unit, component description	N71/1	GF82.10-P-2020RK
	Upper control panel control unit, component description	N72/1	GF54.21-P-6040RK
	Electronic ignition lock control unit, component description	N73	GF80.57-P-6001RK
	Steering column tube module control unit, component description	N80	GF54.21-P-6051RK
	Electric parking brake control unit, component description	N128	GF42.20-P-5005RK
	Fully integrated transmission control unit, component description	Y3/8n4 With transmission 722.9 (except code 722.931) With transmission 722.931	GF27.60-P-5165AHP GF27.60-P-5165AHJ
	Table of contents for function description of exterior lights		GF82.10-P-0999RK