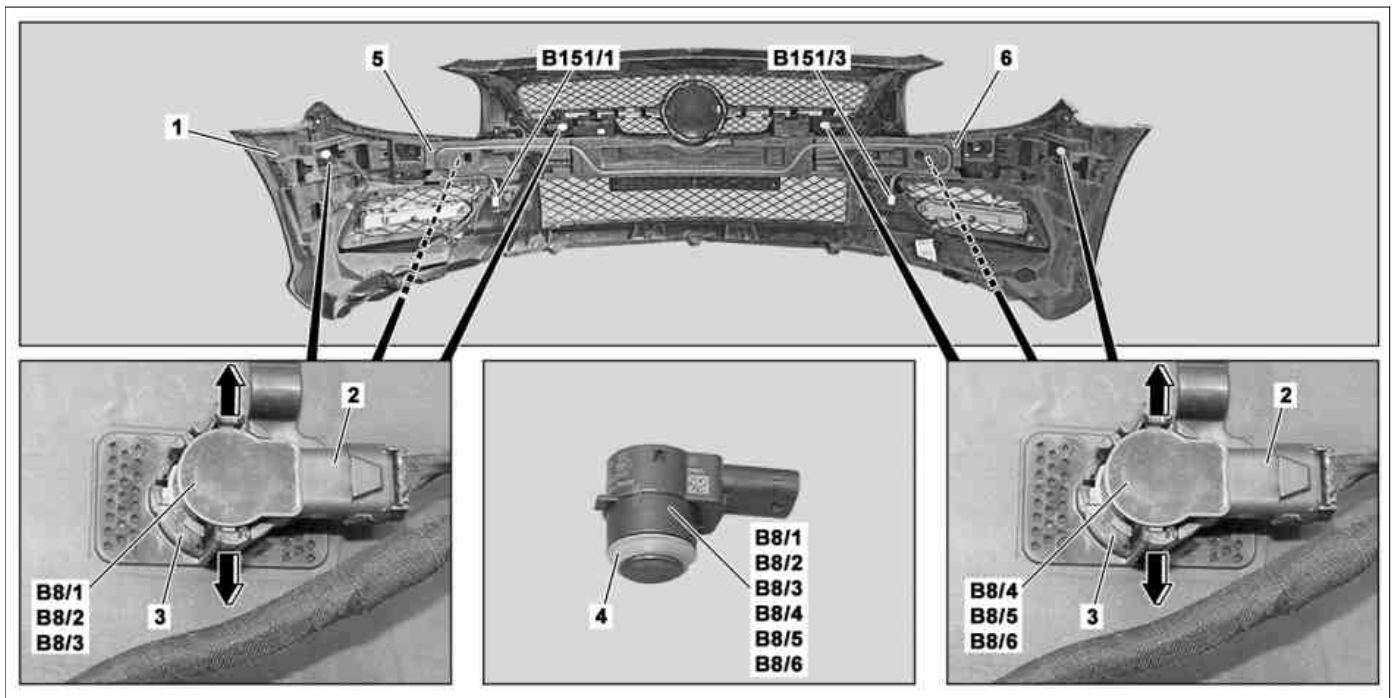


## MODEL 231

with CODE 220 (PARKTRONIC)


with CODE 235 (Active Park Assist)



P54.65-4936-09

1	Front bumper	6	Right impact damper	B8/5	Center right front parking system distance sensor
2	Electrical connector	B8/1	Outer left front parking system distance sensor	B8/6	Outer right front parking system distance sensor
3	Bracket	B8/2	Center left front parking system distance sensor	B151/1	Left front bumper pedestrian protection sensor
4	Sealing ring	B8/3	Inner left front parking system distance sensor	B151/3	Right front bumper pedestrian protection sensor
5	Left impact damper	B8/4	Inner right front parking system distance sensor		

	Remove/install		
1	Remove front bumper (1)		AR88.20-P-2000RK
2	Pull hose of left front bumper pedestrian protection sensor (B151/1) or right front bumper pedestrian protection sensor (B151/3) out of the groove in left impact absorber (5) or right impact absorber (6)	Only when removing from center left front parking system distance sensor (B8/2) or center right front parking system distance sensor (B8/5).  Vehicles with CODE U60 (Pedestrian protection)	AR91.60-P-0950RK
3	Remove left impact absorber (5) or right impact absorber (6)	Only when removing from center left front parking system distance sensor (B8/2) or center right front parking system distance sensor (B8/5).	
	General information on the impact absorber		AH88.20-P-1000-01A
4	Unclip outer left front parking system distance sensor (B8/1), center left front parking system distance sensor (B8/2), inner left front parking system distance sensor (B8/3), inner right front parking system distance sensor (B8/4), center right front parking system distance sensor (B8/5) or outer right front parking system distance sensor (B8/6) out of bracket (3)	To do this, unlock the locks of bracket (3) (arrows).	

		<b>i</b> <b>Installation:</b> Check the sealing ring (4); replace if necessary.	
5	Disconnect electrical connection (2) on outer left front parking system distance sensor (B8/1), center left front parking system distance sensor (B8/2), inner left front parking system distance sensor (B8/3), inner right front parking system distance sensor (B8/4), center right front parking system distance sensor (B8/5) or outer right front parking system distance sensor (B8/6)		
6	Install in the reverse order		
	<b>Check</b>		
7	Perform function test		