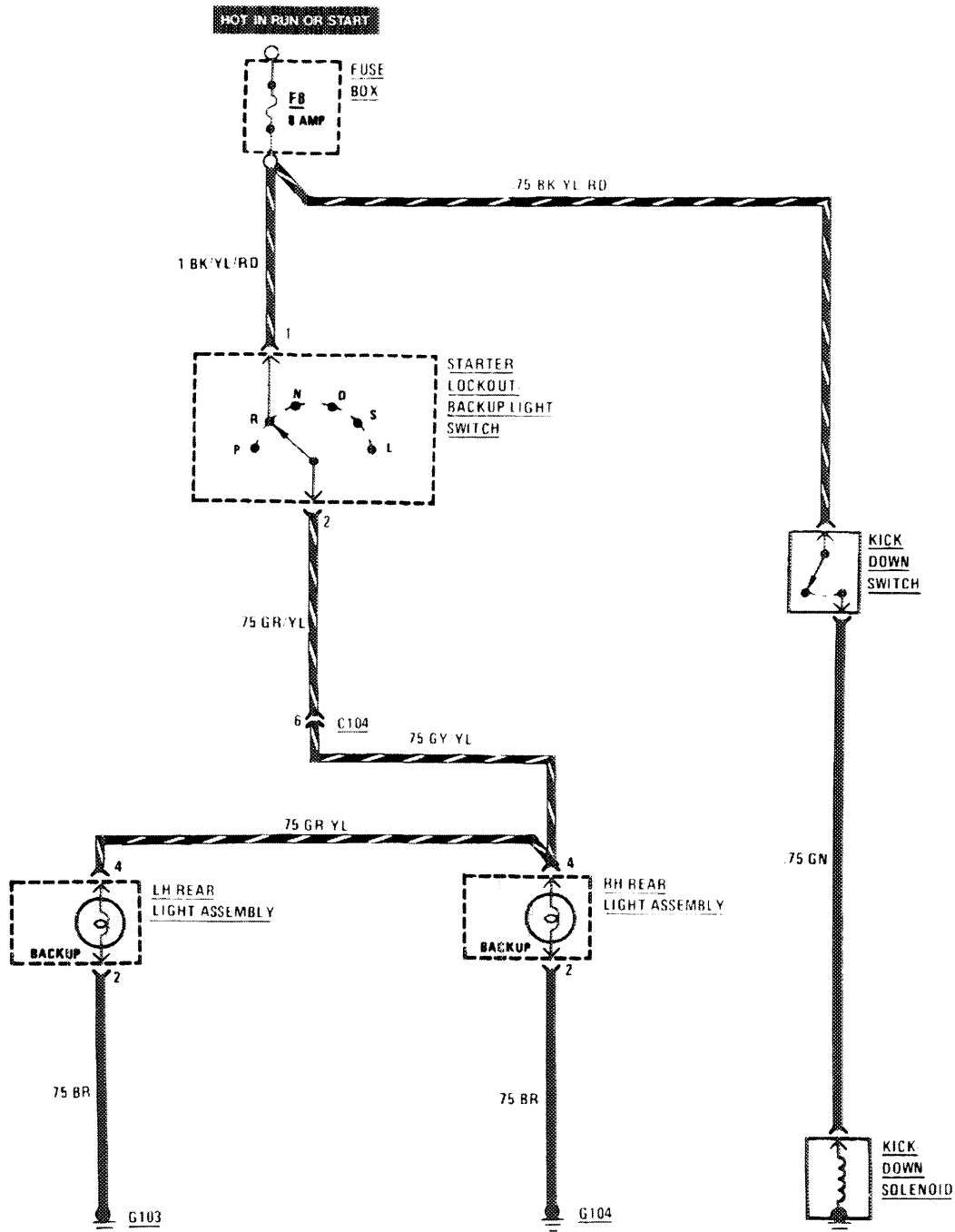


# INDEX

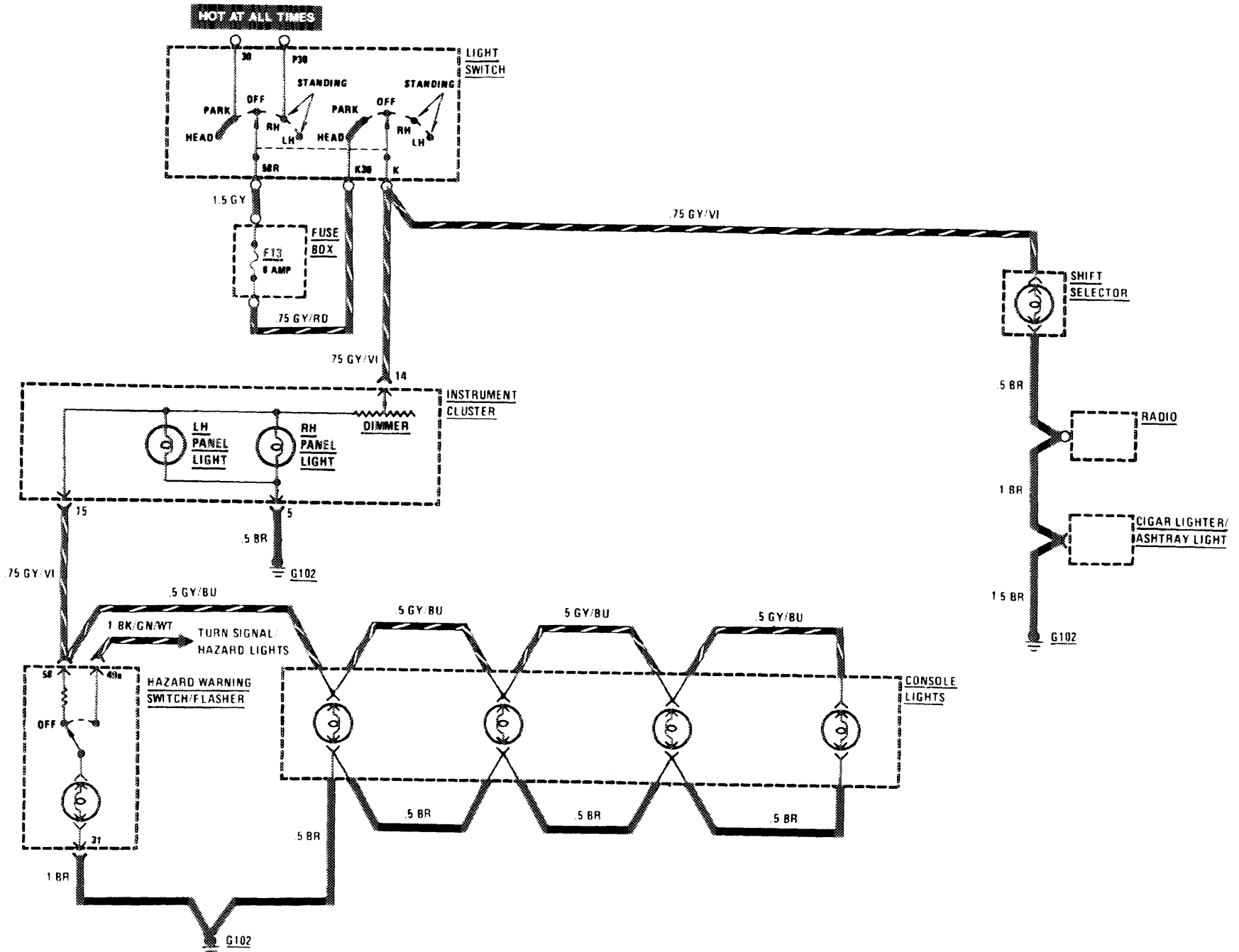
## INDEX - Alphabetical Listing of Electrical Circuits

Automatic Antenna .....	126	Lights (continued)	
Automatic Climate Control .....	123	—Instrument Cluster Illumination .....	114
Auxiliary Fan .....	122	—License .....	111
Charging System .....	107	—Marker .....	111
Cigar Lighter .....	126	—Park .....	110
Clock .....	114	—Stop .....	109
Component Location .....	201	—Tail .....	110
Cruise Control .....	109	—Turn Signal .....	112
Fuel Delivery .....	105	—Trunk .....	111
Gauges .....	114	Power Distribution .....	102
Ground Distribution .....	131	Power Windows .....	129
Heated Seats .....	127	Radio .....	126
Horns .....	122	Rear Defogger .....	128
Ignition .....	105	Sliding Roof .....	128
Lambda Control .....	106	Start .....	104
Lights		Tachometer .....	114
—Backup .....	116	Transmission Kickdown .....	116
—Center Console Illumination .....	117	Warning Indicators .....	114
—Courtesy .....	118	Warning System .....	113
—Fog Lights .....	108	Wiper/Washer .....	121
—Glove Box .....	120		
—Hazard .....	112		
—Headlights .....	108		

# BACKUP LIGHTS/TRANSMISSION KICKDOWN

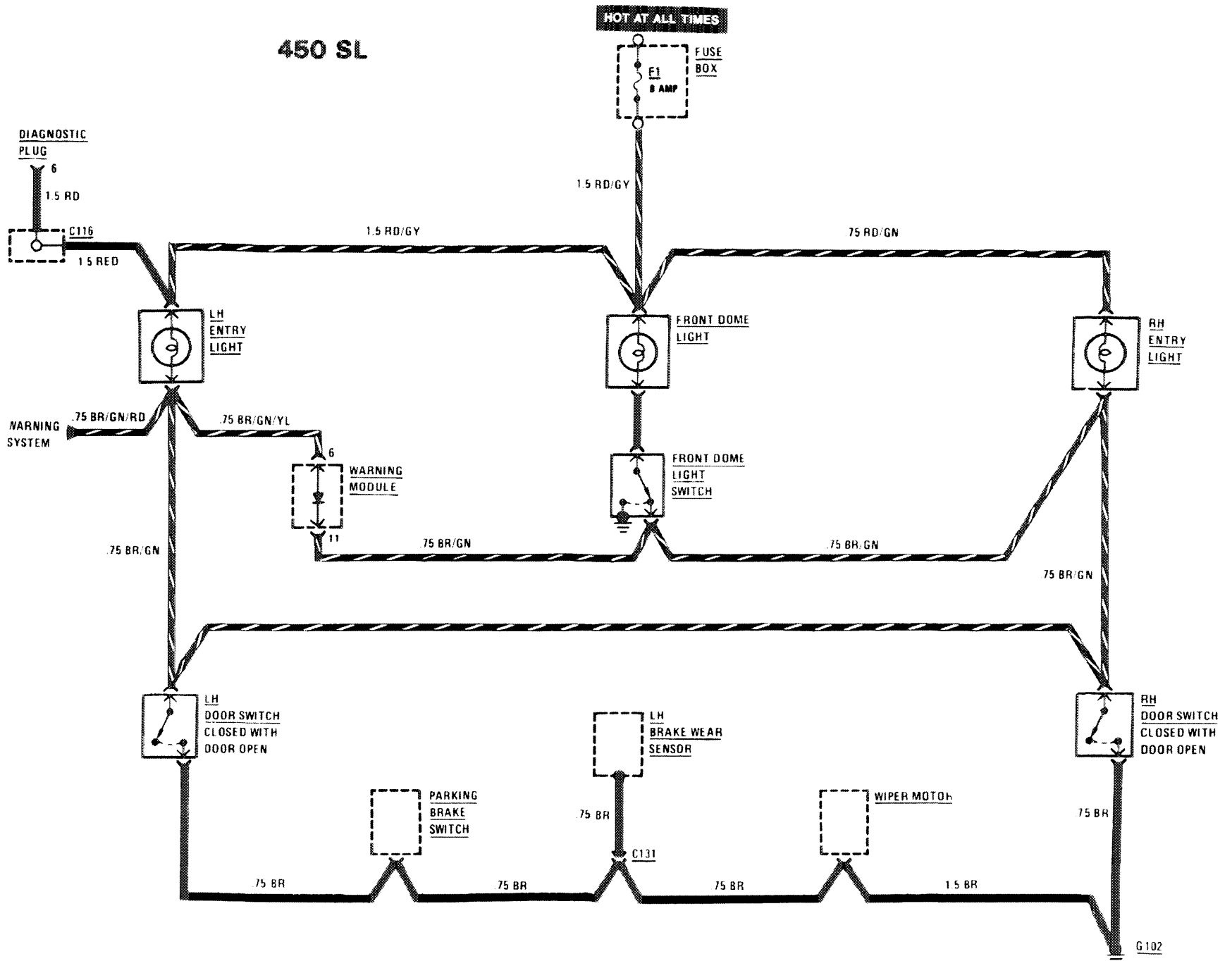


# CENTER CONSOLE ILLUMINATION

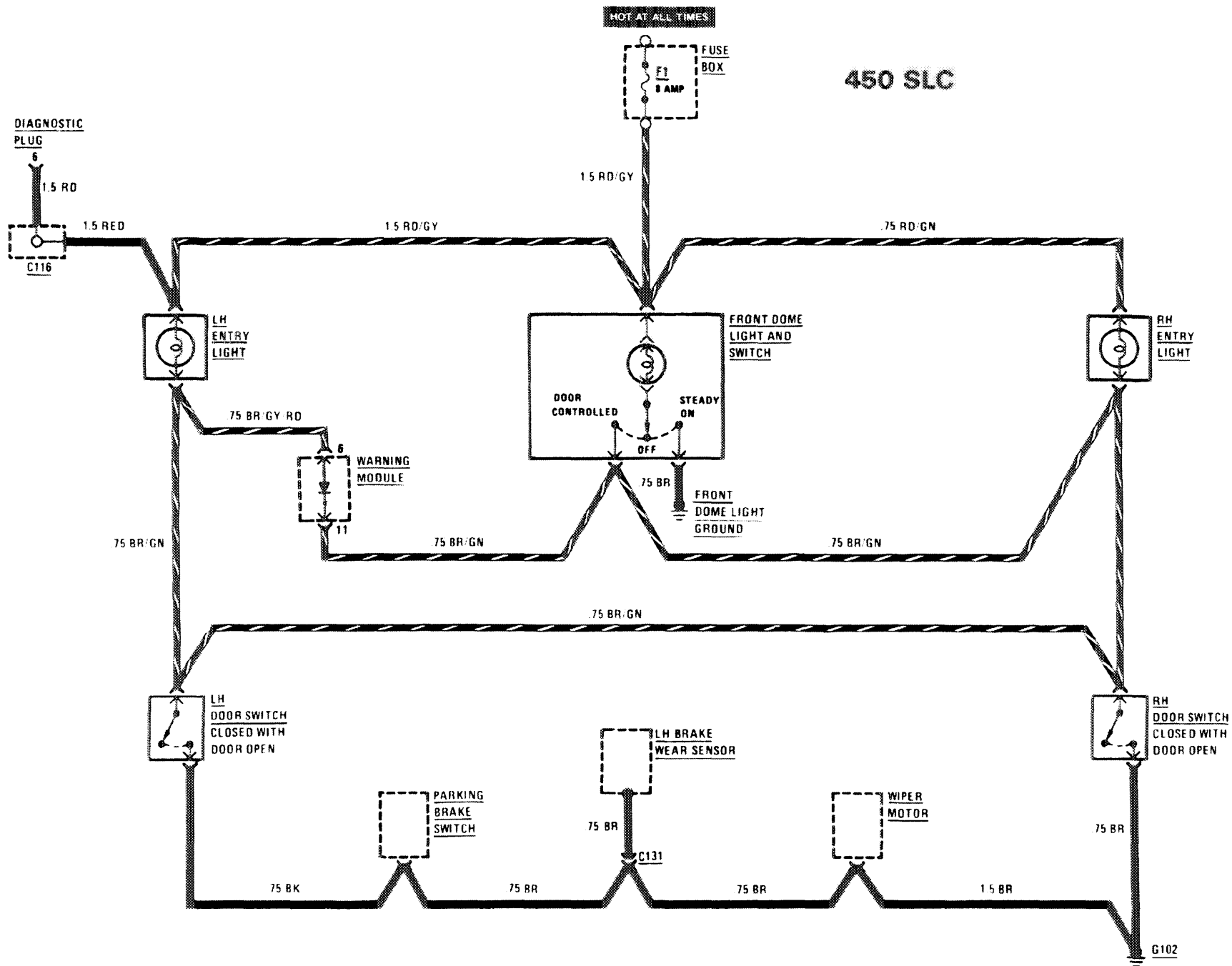


# COURTESY LIGHTS

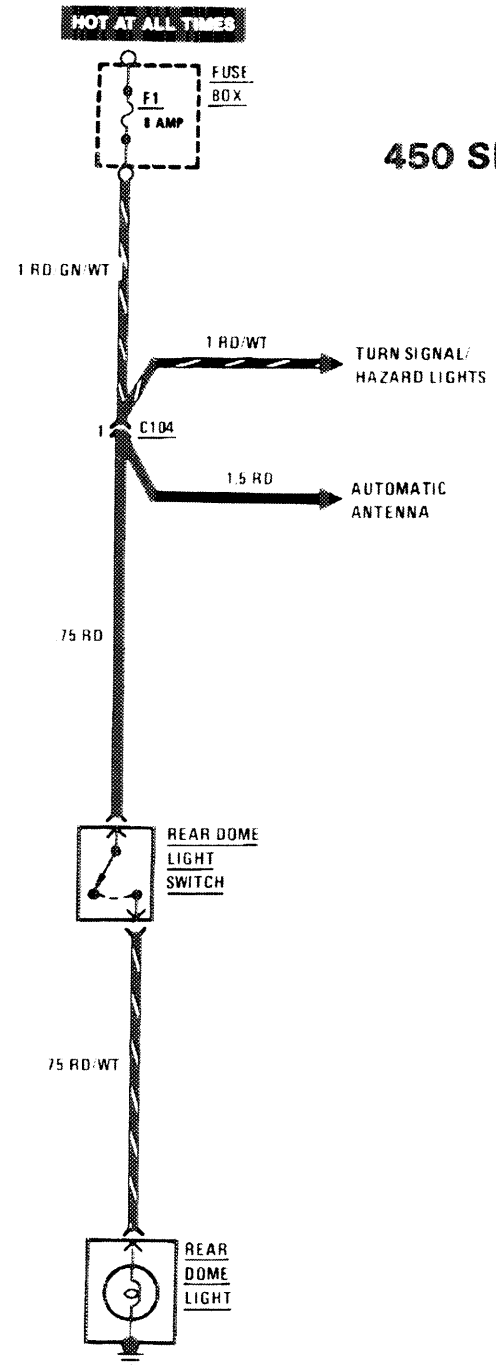
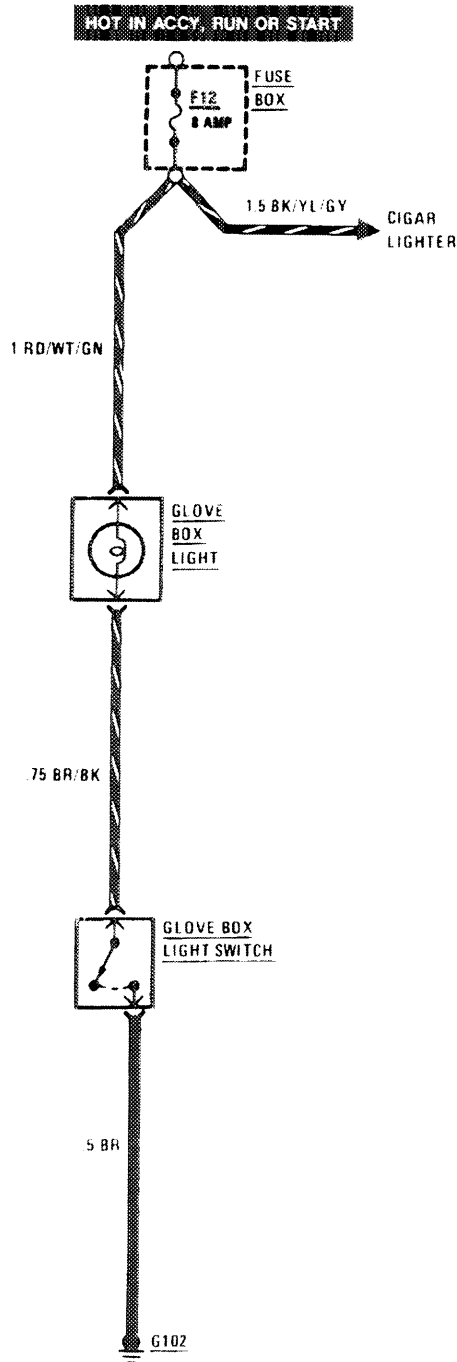
## 450 SL



# COURTESY LIGHTS

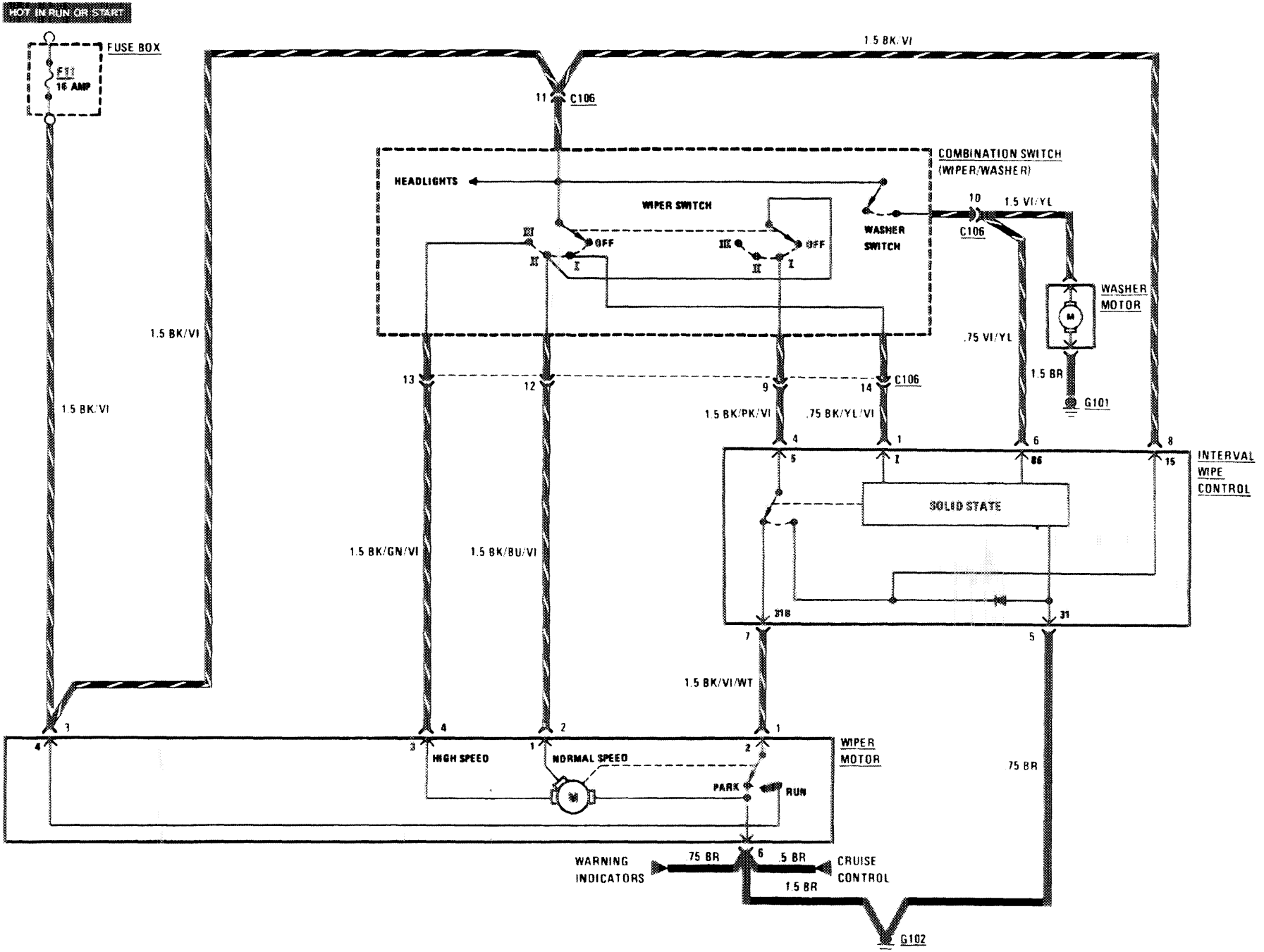


# GLOVE BOX LIGHT/COURTESY LIGHTS

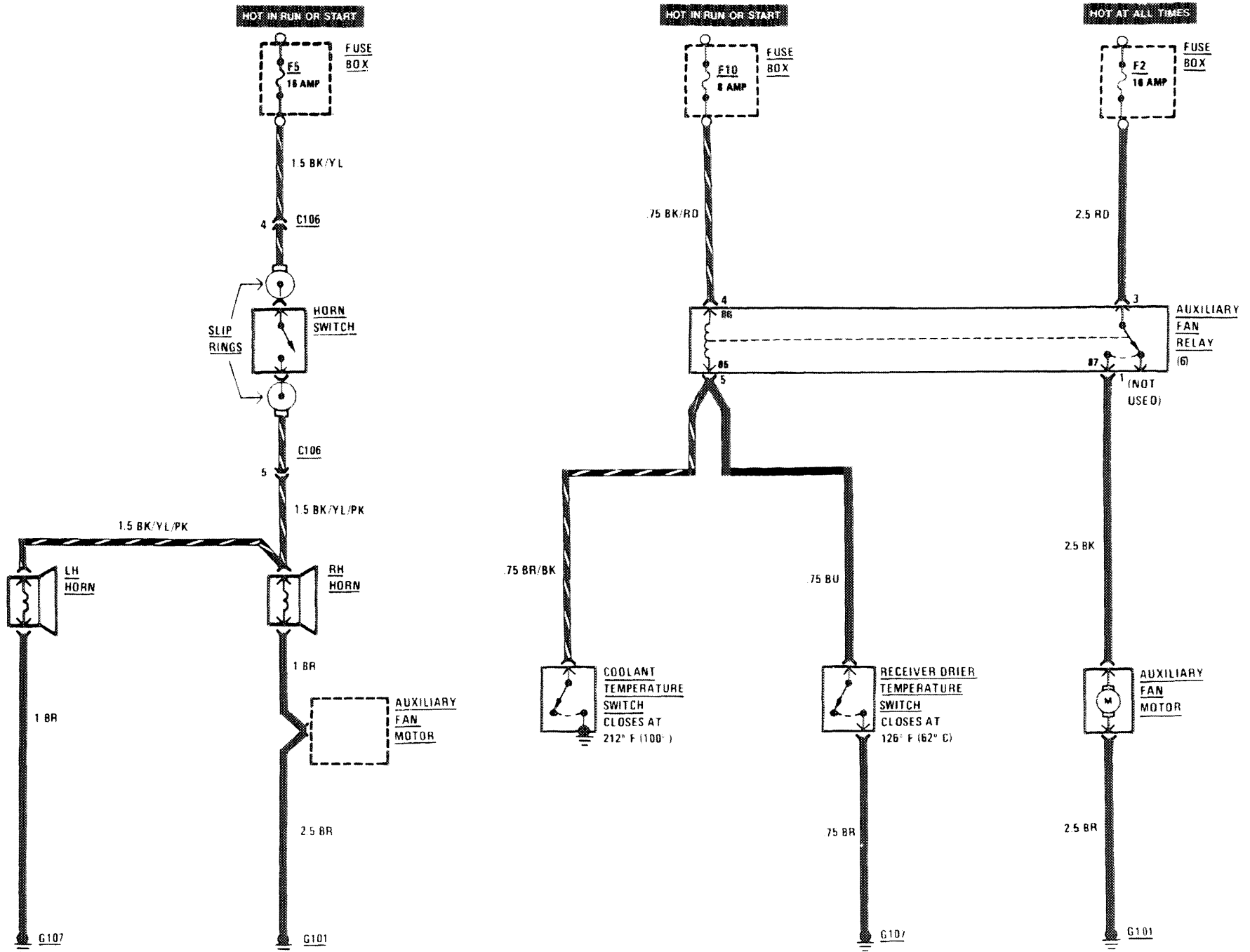


120  
450  
SL/SLC

# WIPER/WASHER



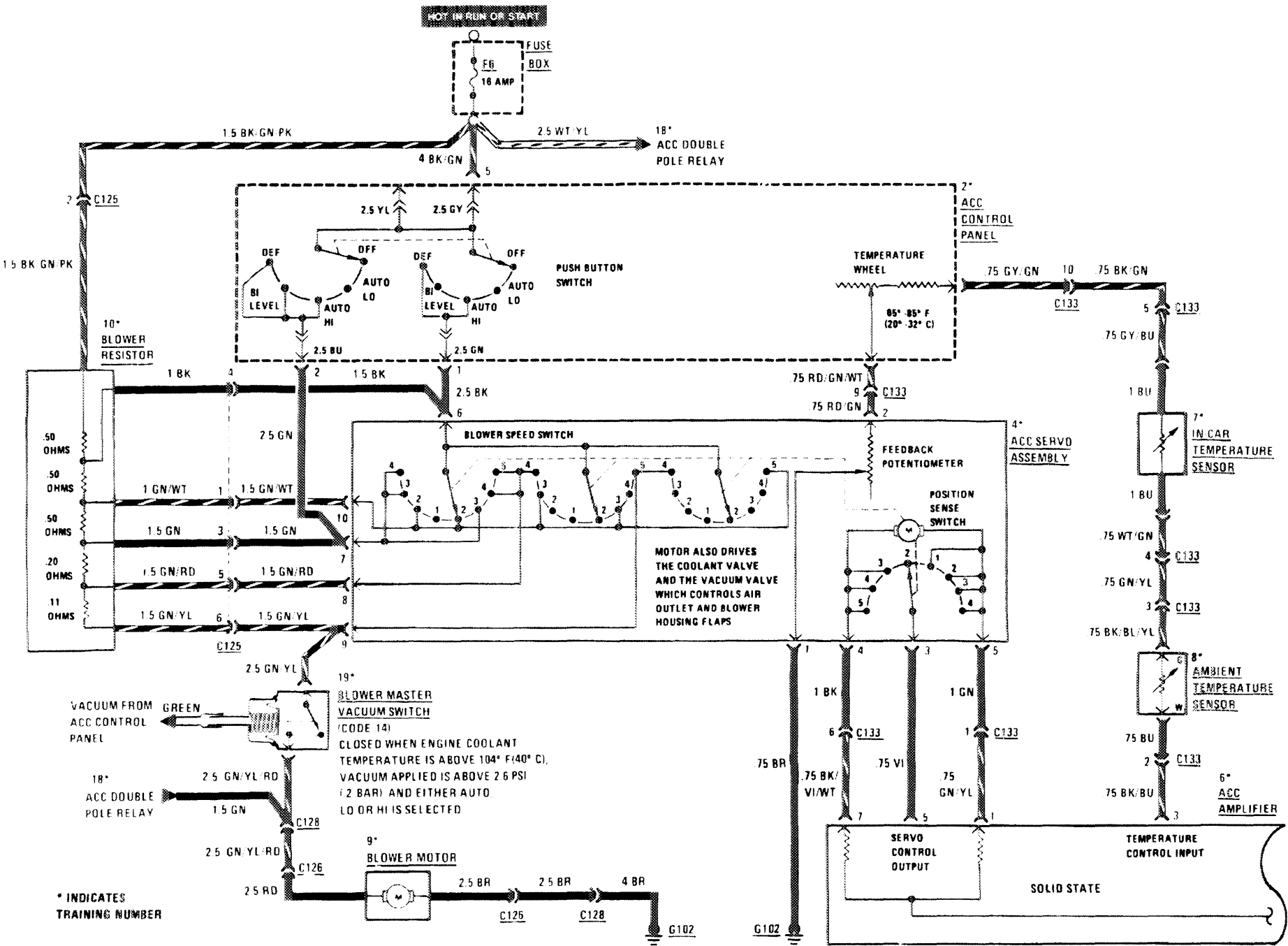
# HORNS / AUXILIARY FAN



122  
450  
SL/SLC

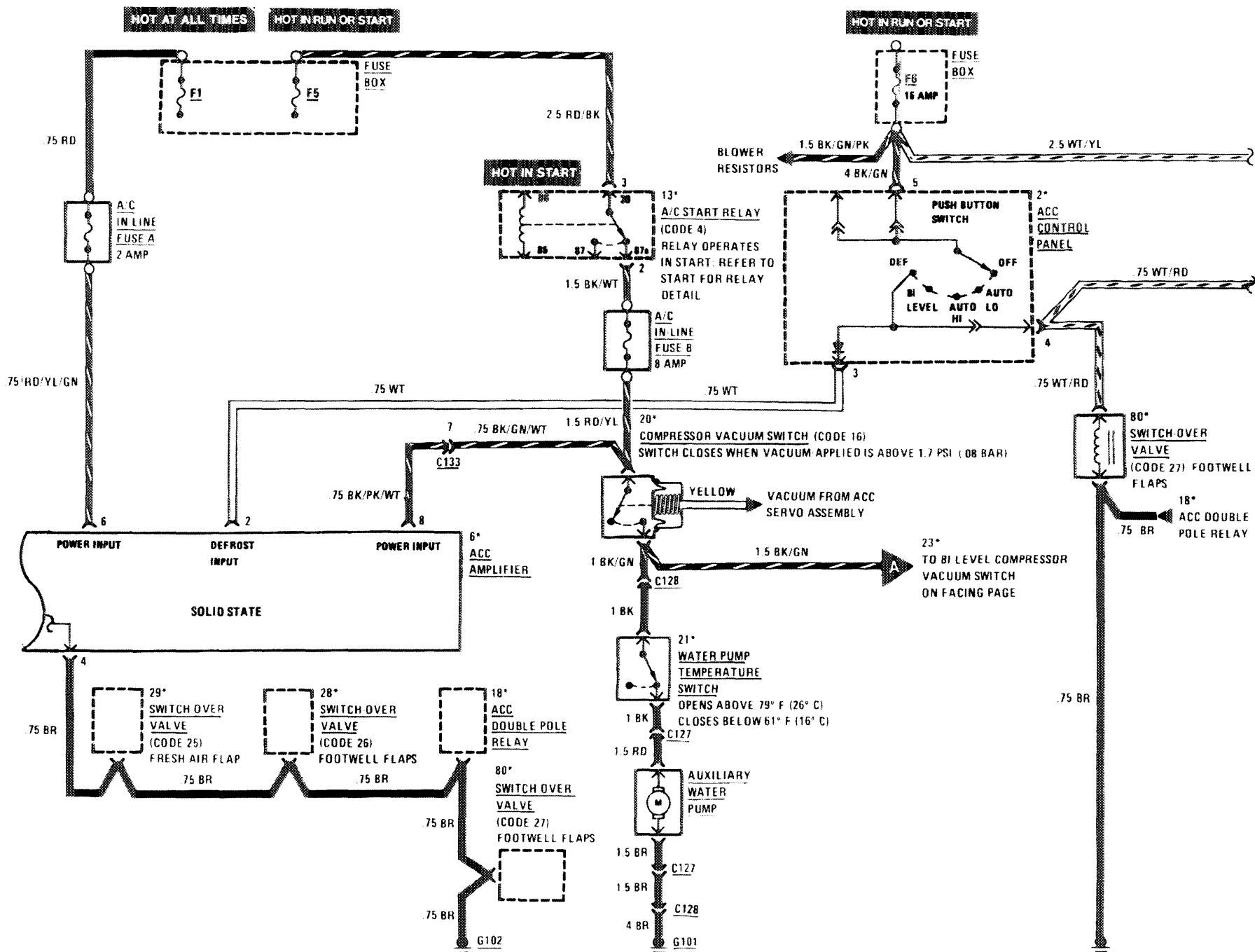


# AUTOMATIC CLIMATE CONTROL



123  
450  
SL/SLC

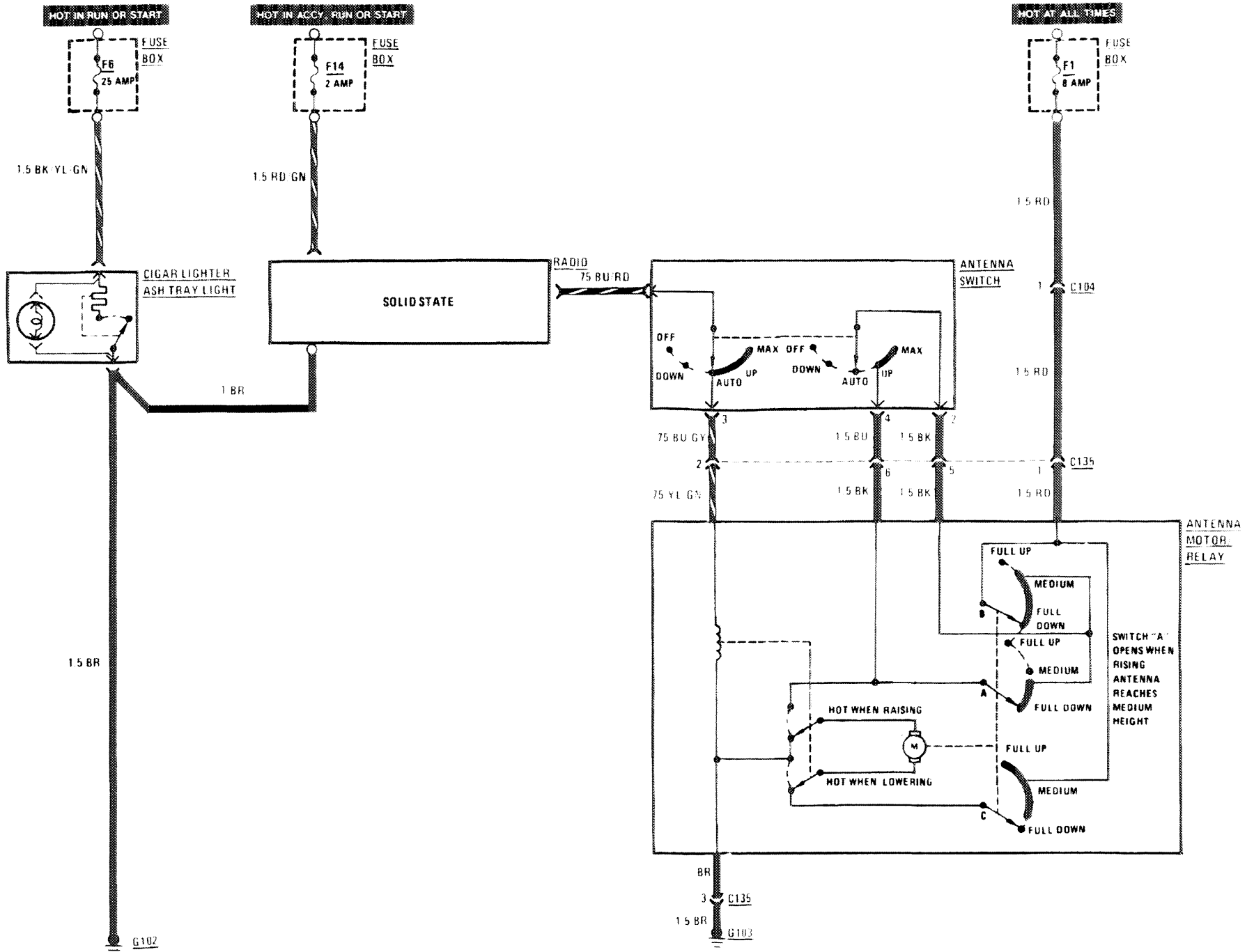
# AUTOMATIC CLIMATE CONTROL



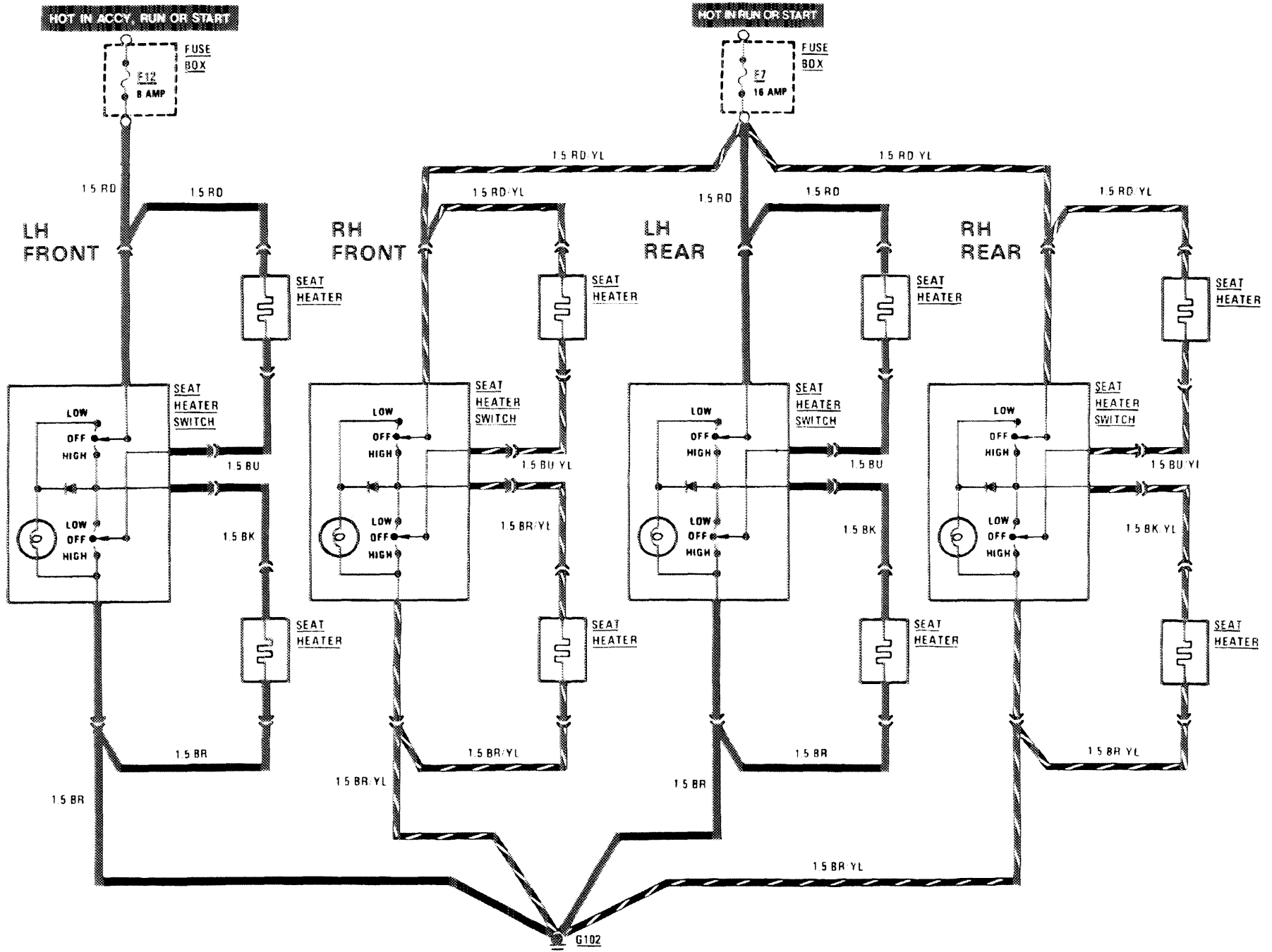
124  
450  
SL/SLC



# CIGAR LIGHTER/RADIO/AUTOMATIC ANTENNA

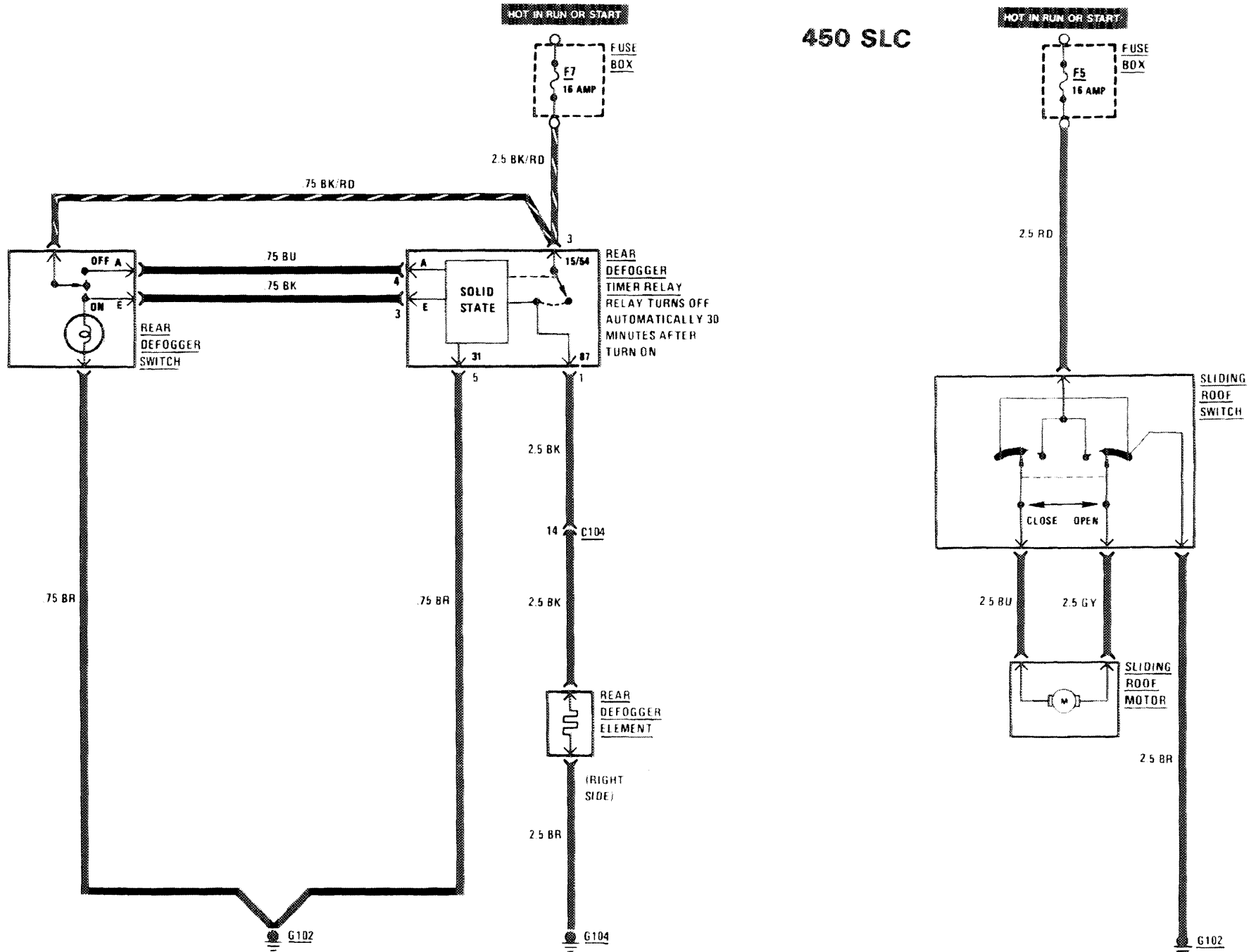


# HEATED SEATS

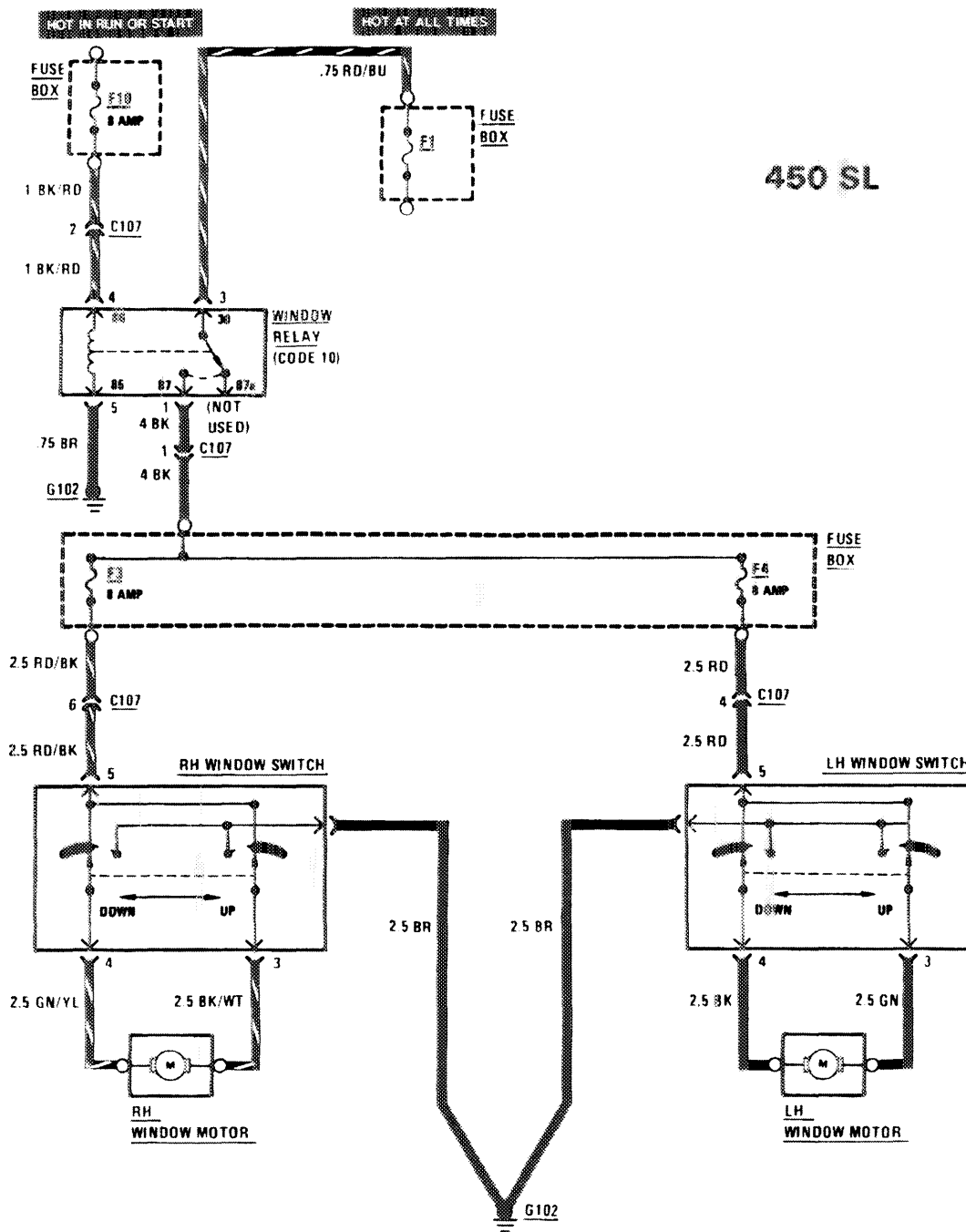


# REAR DEFOGGER / SLIDING ROOF

450 SLC

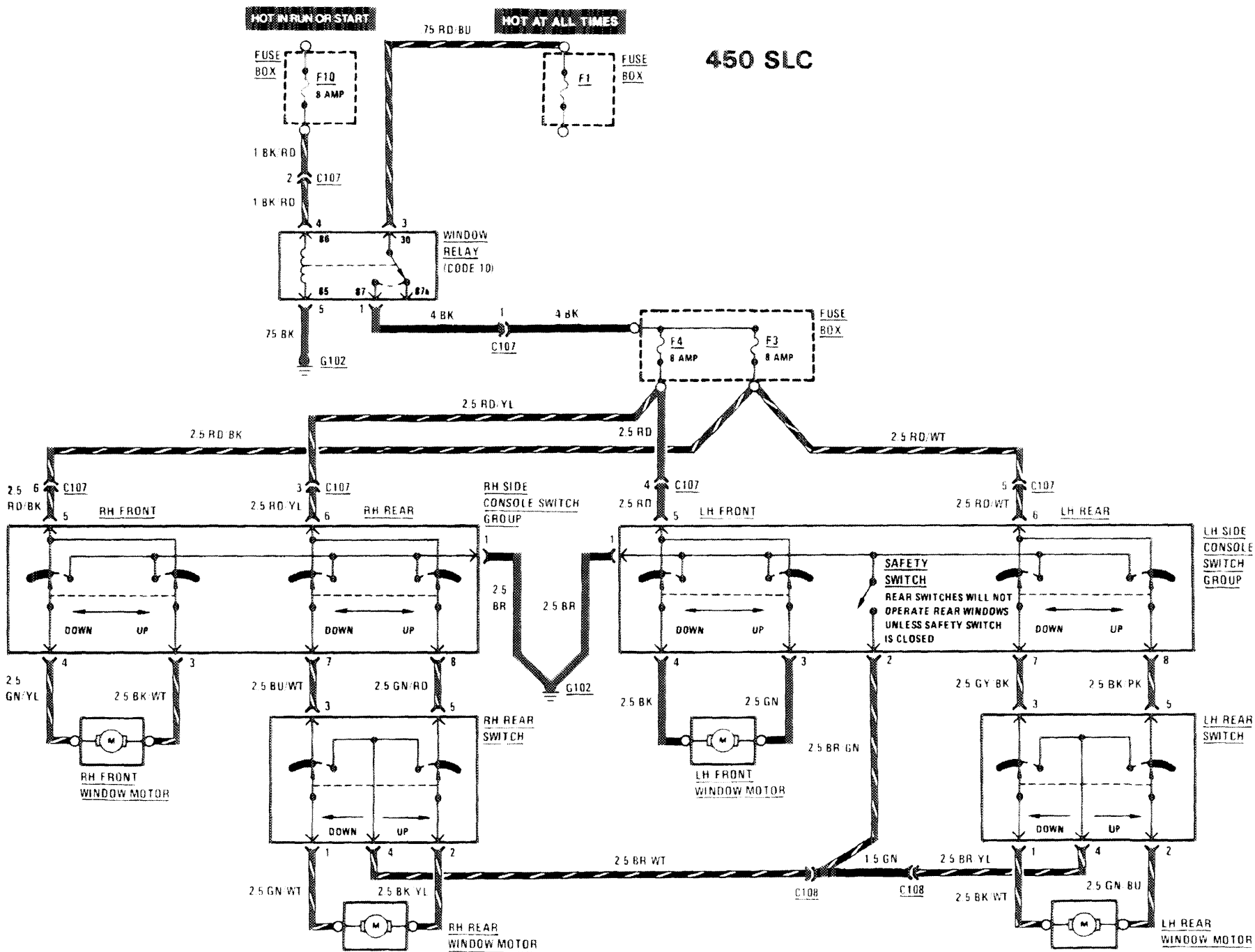


# POWER WINDOWS



# POWER WINDOWS

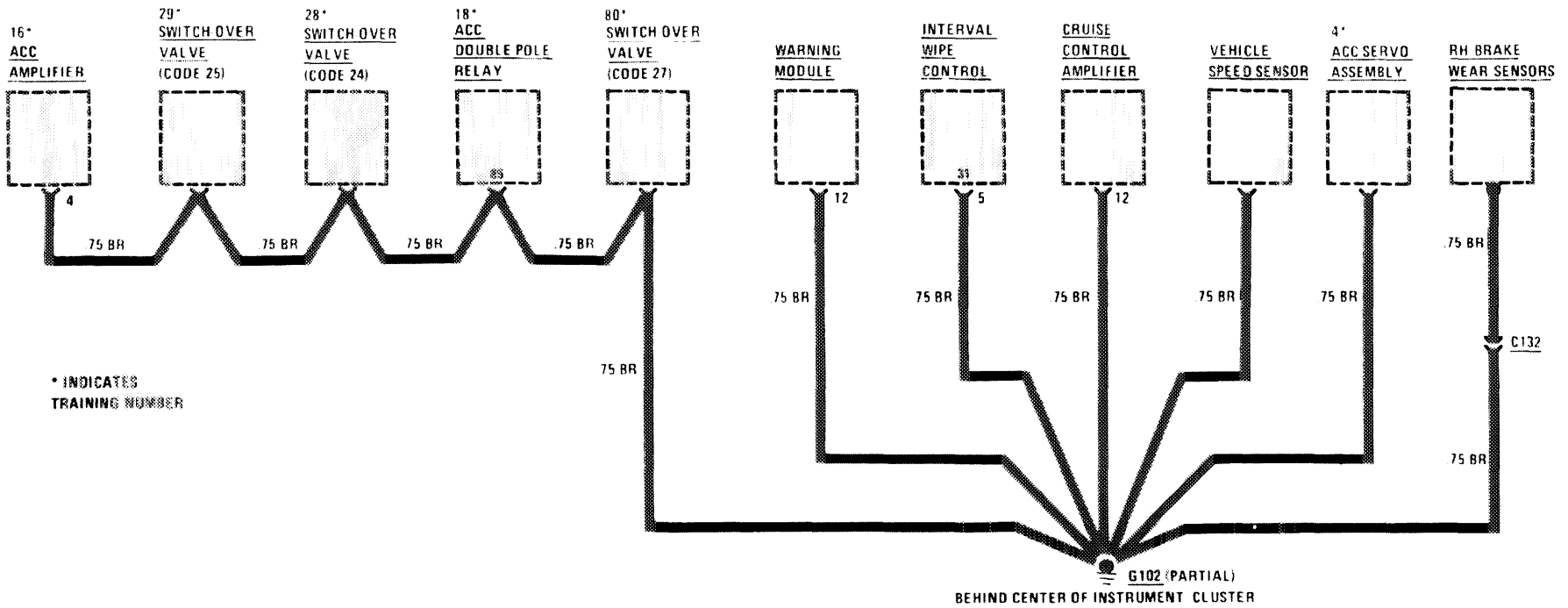
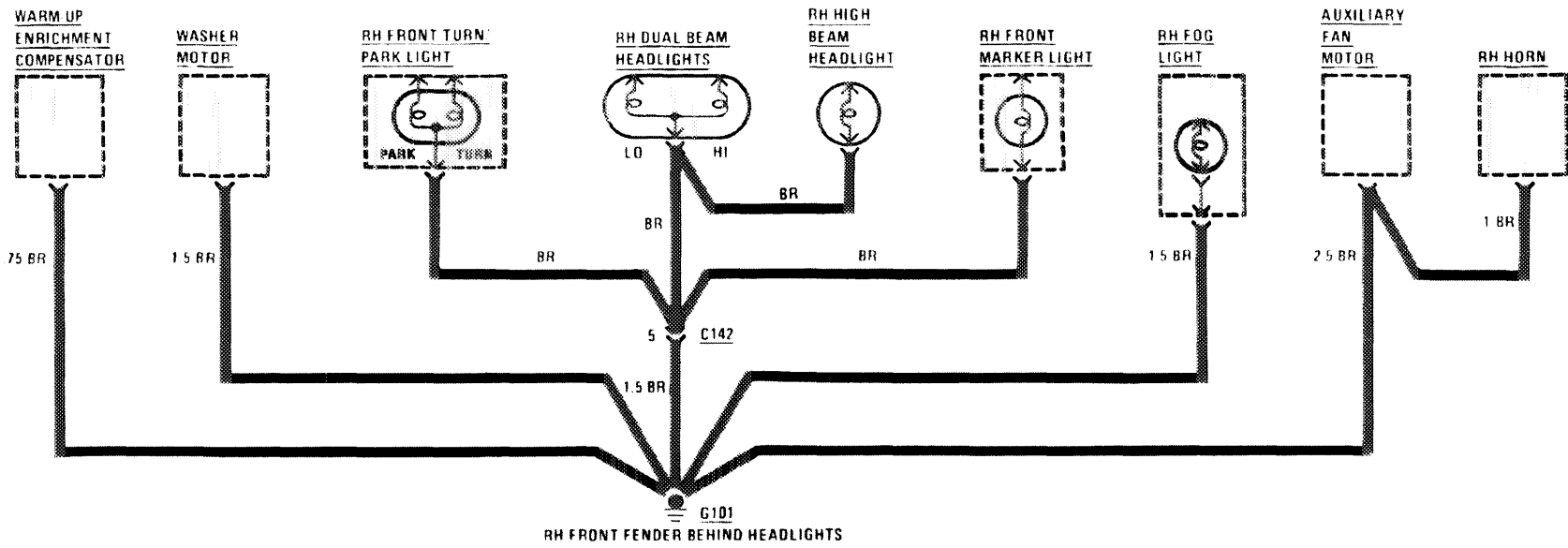
450 SLC



130  
450  
SL/SLC

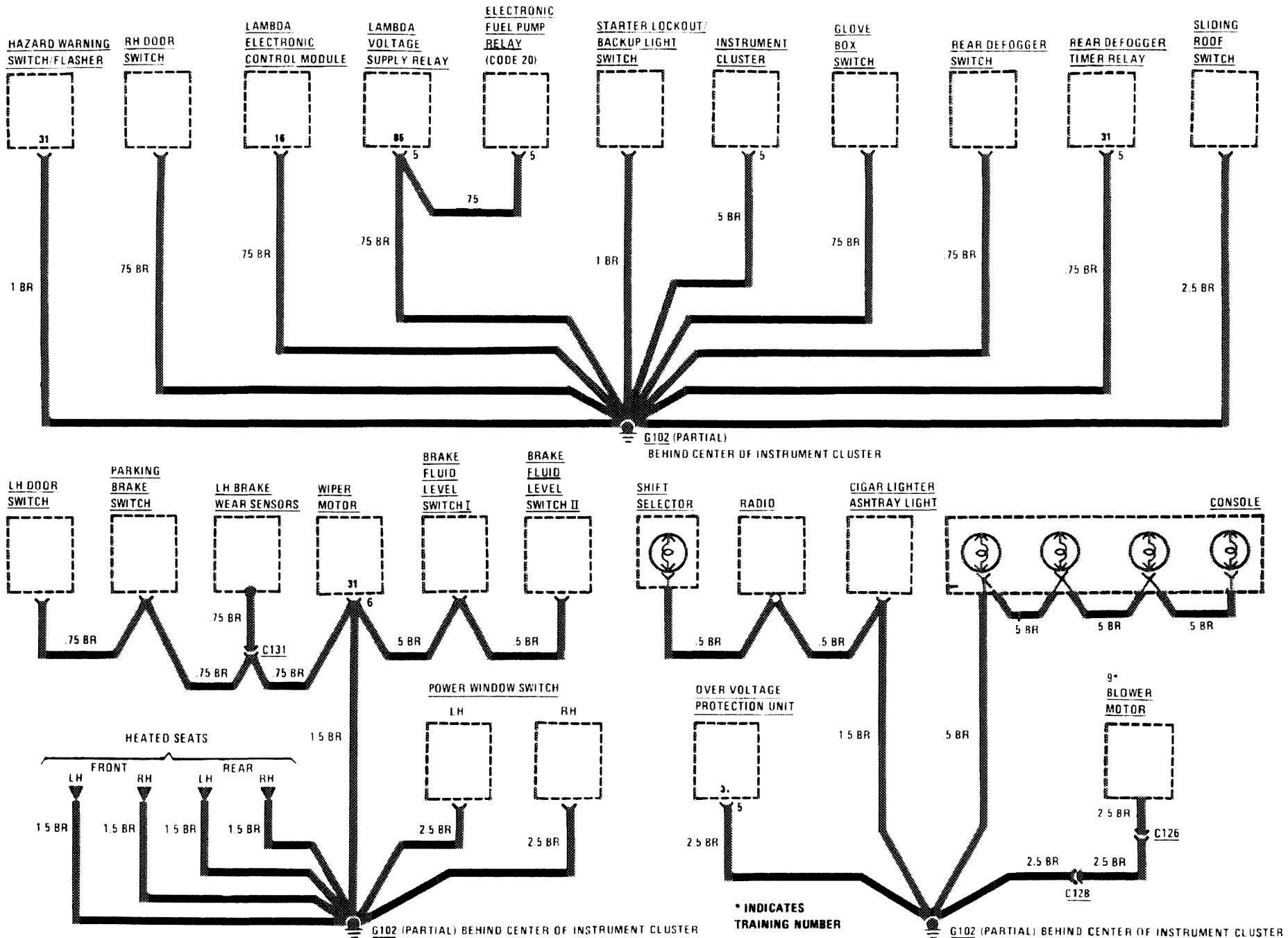


# GROUND DISTRIBUTION



\* INDICATES TRAINING NUMBER

# GROUND DISTRIBUTION



132

450  
SL/SLC

# GROUND DISTRIBUTION

