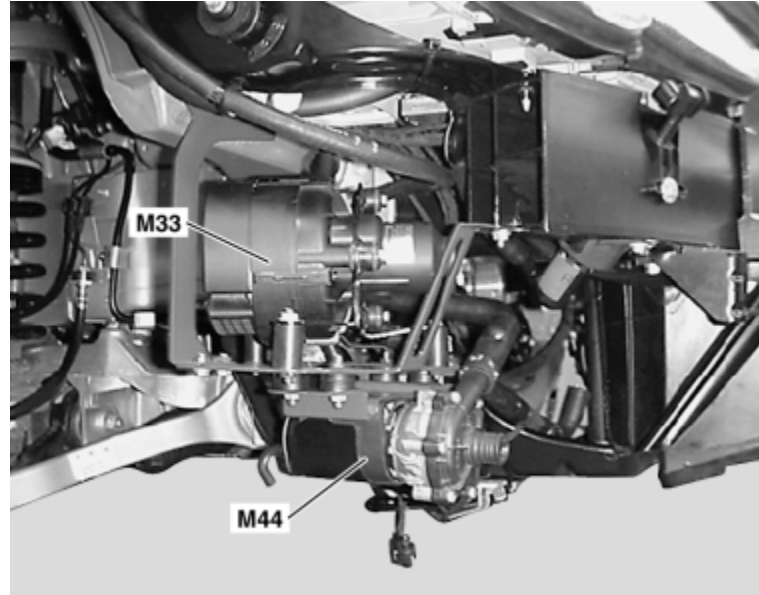


GF09.41-P-3102-01HA	Circulation pump for charge air cooling, location	Engine 113.992	 GF
---------------------	---	----------------	--

M33 Electric air pump

M44 Charge air cooler circulation pump

The circulation pump for charge air cooling is located in front of the front right wheelhouse.



P07.61-2582-11