

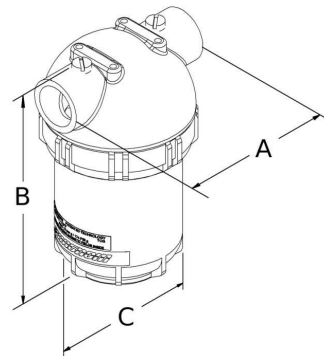


Longer Equipment & Fluid Life - Lower Maintenance Costs

Product Data Sheet : MAGNOM® Clear 5 and 10

Magnom® Clear 5 and 10 Units

The Clear 5 and 10 are brass headed units that feature a clear bowl for easy condition monitoring. The unique design of the Magnom core technology enables the monitoring of contaminant build up even with opaque fluids.



Mounting Method:	In Line
Flow Direction:	See Housing
Construction Material:	
Head and Bowl	Brass/Nylon 12
Magnet	Ferrite C5/C8
Mandrel	Acetal/Delrin
C-Clip	Stainless Steel
O-Ring	Viton
Max. Operating Temperature: °C/(°F)	80/(176)
Max. Operating Pressure: BAR/(PSI)	12/(174)
Burst Pressure: BAR/(PSI)	50/(725)

UNIT WEIGHT AND DIMENSIONAL INFORMATION

Part Number	Unit	Connection / Size	Weight KG / (OZ)	DIM.A CM / (Inch)	DIM.B CM / (Inch)	DIM.C CM / (Inch)	Magnom Plate Material
505102000	Clear 5	1" BSP	2.6 / (92)	12.7 / (5)	18.7 / (7.35)	11.2 / (4.375)	Carbon steel
505103000	Clear 5	1" NPT	2.6 / (92)	12.7 / (5)	18.7 / (7.35)	11.2 / (4.375)	Carbon steel
505302000	Clear 5	1" BSP	2.6 / (92)	12.7 / (5)	18.7 / (7.35)	11.2 / (4.375)	Stainless Steel
505303000	Clear 5	1" NPT	2.6 / (92)	12.7 / (5)	18.7 / (7.35)	11.2 / (4.375)	Stainless Steel
510102000	Clear 10	1" BSP	4.1 / (144)	12.7 / (5)	30.7 / (12.1)	11.2 / (4.375)	Carbon steel
510103000	Clear 10	1" NPT	4.1 / (144)	12.7 / (5)	30.7 / (12.1)	11.2 / (4.375)	Carbon steel
510302000	Clear 10	1" BSP	4.1 / (144)	12.7 / (5)	30.7 / (12.1)	11.2 / (4.375)	Stainless Steel
510303000	Clear 10	1" NPT	4.1 / (144)	12.7 / (5)	30.7 / (12.1)	11.2 / (4.375)	Stainless Steel

www.magnom.com

info@magnom.com

UK Office: tel +44 (0) 1926 623170 fax +44 (0) 1926 623171

USA Office: tel (312) 738 1147 fax (312) 893 2096