

Rebuild Master Tech - Coil-Over Replacement Kit for SL55 AMG

02 - 08 Mercedes R230 SL55 AMG Complete OEM Coil-Over Conversion KIT ABC to Coils

Contact or Questions :

Rebuild Master Tech (RMT)
920 SW 2nd PL
Pompano Beach FL 33069
Ph: (954) 934-9000

<http://www.rebuildmastertech.com/>

Appears to be using standard Mercedes-Benz parts from the SL350 (all available through your MB dealer network).

Clearing Warnings :

In Europe, Australia and Japan, the SL350 is sold with these parts as standard. In an email reply I received from "Rebuild Master Tech", *following installation, you only need a Mercedes Star Das scanner to remove the ABC option out of the car's computer. No module is necessary.*

What is in the Box :

- CO230K KIT (Front and rear OEM shock absorber, coil springs, sway bars, links, P/S Pump)
- 1 Prepaid return label for old CORES

Cost of the KIT is \$2,500.00 plus - if applicable - a refundable U.S CORE DEPOSIT of \$1500.00 = \$4000.00



Conversion kits are a direct replacements for your vehicle's hydraulic ABC suspension and comes with a Power Steering Pump and Sway Bars. They require no modification to your vehicle and are OEM designed to "bolt on" without any welding or cutting. *However, professional installation may be required.*

- It will take a minimum of 15 hr labour and reprogramming the ABC out of the system, so that no warning lights come on.

- You can also drop of you car with “Rebuild Master Tech” in Florida and have them do the work for you (cost us \$ \$1,500 for labour).
- It will take a 14 days till shipping (installation manual - video, is in the works).
- The manufacturer's OEM design is not altered. Offered is a hassle free, Lifetime Warranty.
- “Rebuild Master Tech” is a Bosch Service Centre and have an 18,000 square ft. full Service Repair & Rebuild Facility for all high-end vehicles.

You have 3 options :

1. If you are local, you can drop off your car for installation of the KIT (no core charge; only us\$1,500 Labour)
2. Mail in your 4 Strut Cores, 2 Valves & Power Steering Pump ahead (no core charge)
3. Order a Conversion KIT, which is shipped right out to you. Then you return cores, using box and prepaid shipping label provided (us\$1,500.00 refundable core charge required with order). **NOTE : *Core charges are refunded within 14 business days of receipt of core.***



SL350 Coil-Over Replacement Kit for SL55 AMG - Described in Detail

An SL350 coil-over conversion with sway/anti-roll bars, will more handle the power of the SL55 AMG.

NOTE : *All parts below are available through Mercedes-Benz dealer network or can be purchased as kit above.*

Owner Comments :

Well, the car is finally done, what I can say is the following after driving the car for almost 70 Km :

- The Coil-Overs make the SL55 handle better
- Not much more harsh than the hydraulic ABC (really it feels the same unless you are very sensitive).
- Now the SL55 is more perfect for cornering, a more stable supercar.
- Finally, a reliable SL.

SI350 (R230) model years 2003-2008 (engine power increase from 2006 to 2008)

Front Conversion Parts

A 230 323 08 00 - front damper/shock absorber strut x2 approx. \$276 ea

A 230 321 02 04	- front coil spring	x2	
A 230 323 00 20	- front lower strut seat/mounting	x2	
A 230 320 21 11	- front sway/anti-roll/torsion bar	x1	
A 230 320 05 89	- front sway/anti-roll/torsion bar linkage (left)	x1	
A 230 320 06 89	- front sway/anti-roll/torsion bar linkage (right)	x1	
A 211 320 33 89	- front sway/anti-roll/torsion bar rod link stabilizer	x2	approx. \$40 pair
A 211 323 00 68	- front lower sway/anti-roll/torsion arm ball joint	x2	approx. \$20 each
N 910 143 008 010	- Screws for torsion bar	x4	
N 000 000 005 272	- Hexagon nut (torsion bar to rod and rod to spring control arm)	x4	

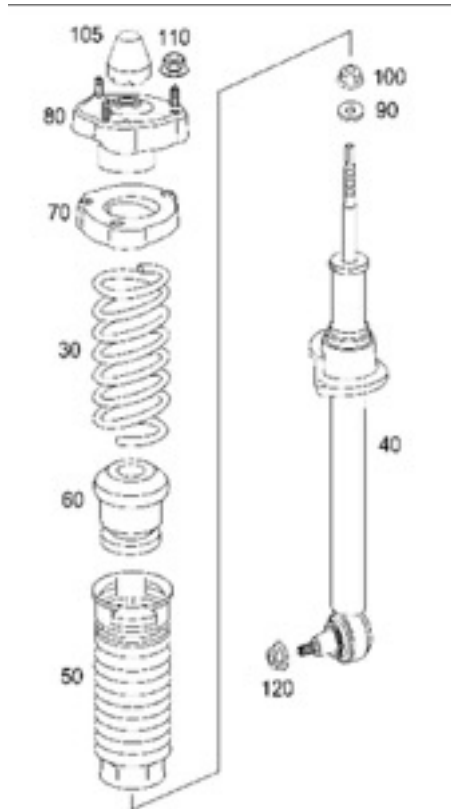
Rear Conversion Parts

A 230 326 09 00	- rear damper/shock absorber strut	x2	approx. \$250 each
A 230 324 02 04	- rear coil spring	x2	
A 230 326 00 64	- rear strut mount	x2	
A 230 320 05 11	- rear sway/anti-roll/torsion bar	x1	
A 211 320 33 89	- rear sway/anti-roll/torsion bar rod link stabilizer	x2	approx. \$40 pair
A 005 466 40 01	- SL350 single PS pump (tandem pump A 005 466 09 01)	x1	approx. \$350
N 000 000 000 437	- Screws for torsion bar	x2	
N 913 023 012 002	- Nuts for torsion bar	x2	
A 140 990 06 51	- Hexagon nut (torsion bar to rod)	x2	
N 913 023 010 002	- Hexagon nut (rod to spring control arm)	x2	

NOTE : *in above parts list, it appears that H&R lowering springs were supplied with new struts?*

Front Conversion Parts

Front Damper/Shock Absorber Strut - A 230 323 08 00



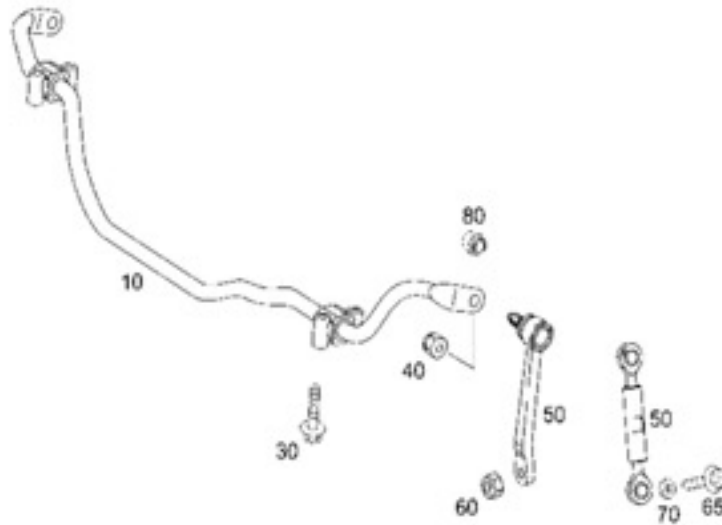
Front Coil Spring - A 230 321 02 04



Front Lower Strut Seat/Mounting - A 230 323 00 20



Front Sway/AntiRoll/Torsion Bar - A 230 320 21 11 (note optional adjustable link #50)



Front Sway/Anti-Roll/Torsion Bar Linkage (Left) - A 230 320 05 89



Front Sway/Anti-Roll/Torsion Bar Linkage (Right) - A 230 320 06 89



Front Sway/Anti-Roll/Torsion Bar Rod Link Stabilizer - A 211 320 33 89 (same as rear)



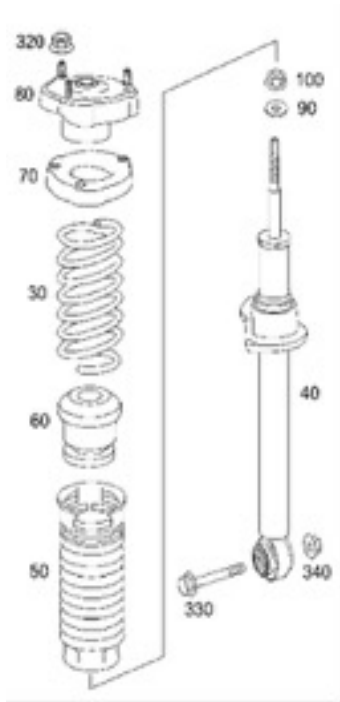
Front Sway/Anti-Roll/Torsion Bar Arm Ball Joint - A 211 323 00 68



- 4x N 910 143 008 010 - Screws for torsion bar
- 4x N 000 000 005 272 - Hexagon nut (torsion bar to rod and rod to spring control arm)

Rear Conversion Parts

Rear Damper/Shock Absorber Strut - A 230 326 09 00



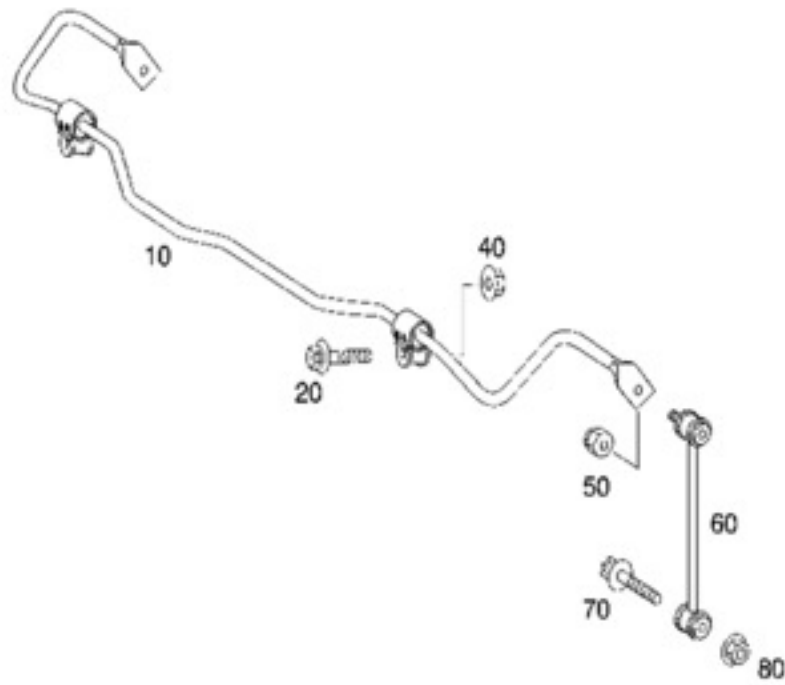
Rear Coil Spring - A 230 324 02 04



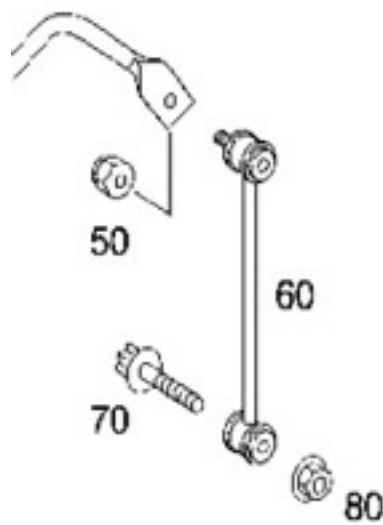
Rear Strut Mount - A 230 326 00 64



Rear Sway/AntiRoll/Torsion Bar - A 230 320 05 11



Rear Sway/Anti-Roll/Torsion Bar Rod Link Stabilizer (left and right) - A 211 320 33 89 (same as front)



MERCEDES-BENZ A 211 320 33 89



- 2x N 000 000 000 437 - Screws for torsion bar
- 2x N 913 023 012 002 - Nuts for torsion bar
- 2x A 140 990 06 51 - Hexagon nut (torsion bar to rod)

2x N 913 023 010 002 - Hexagon nut (rod to spring control arm)

SL350 Power Steering Pump (single, not tandem ABC) - A 005 466 40 01

Note : # 10 is single SL350 pump, while # 75 is ABC tandem pump.

