

230 589 04 63 00

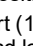
Support


- 1 Switch on ignition and actuate Vario roof switch until Vario roof has reached intermediate position.

i The illustration shows the Vario roof in the intermediate position (C-pillars are positioned at an angle of approx. 90°). The trunk lid is in the assembly position.

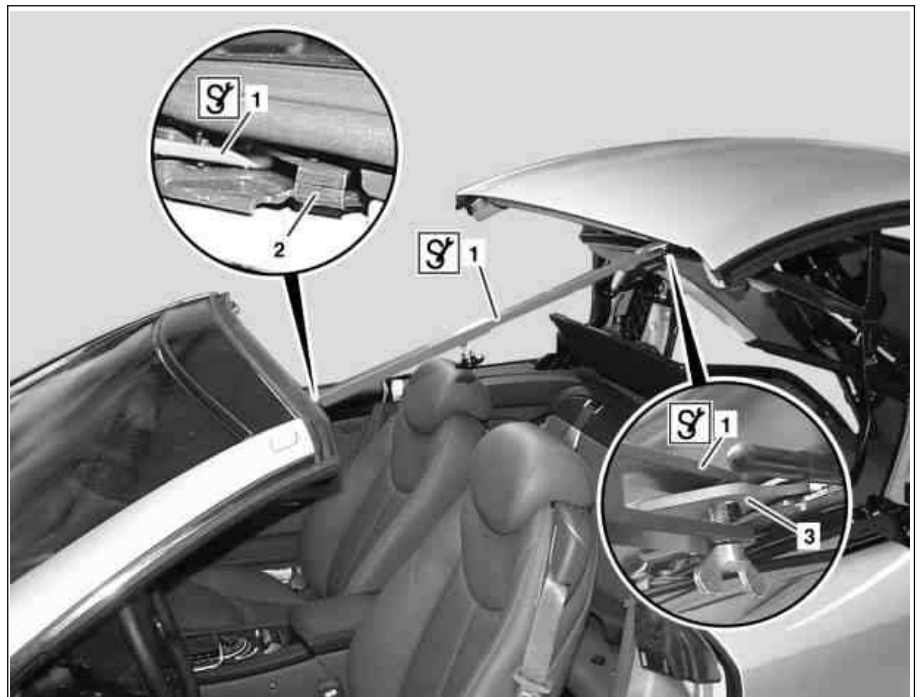


P77.50-2077-01

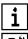

- 2 Secure Vario roof intermediate position. For this purpose  install support (1) on left mount for front catch (2) and left catch section on Vario roof front section (3).

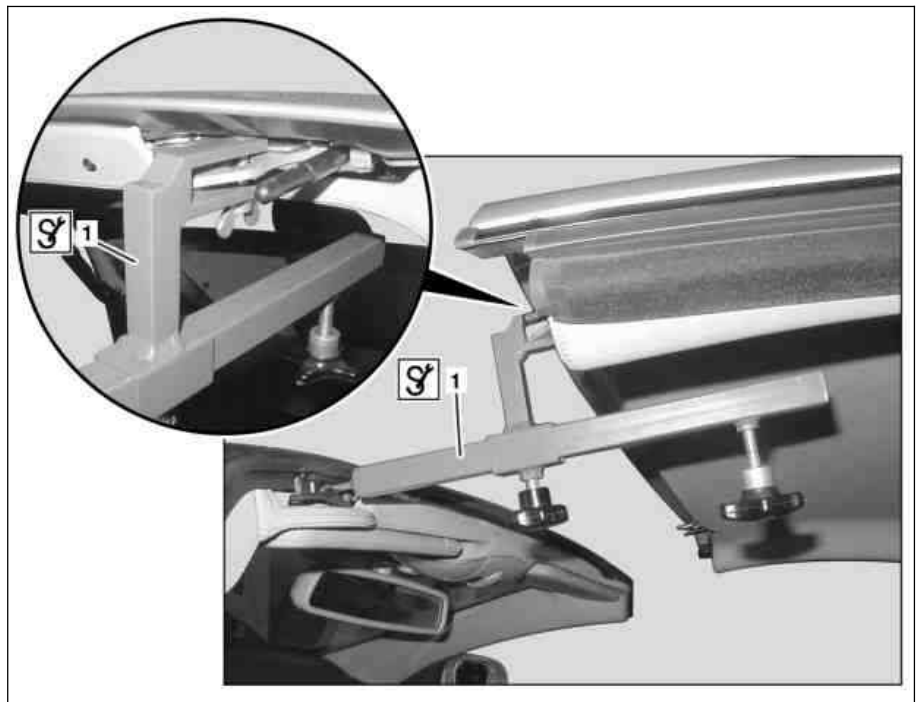
i The  support (1) can be shortened, if required, and extended to secure the intermediate position of the Vario roof.

- 3 Switch off ignition.



P77.50-2076-06

 Illustration shows detailed installation of
 support (1).



P77.50-2198-06