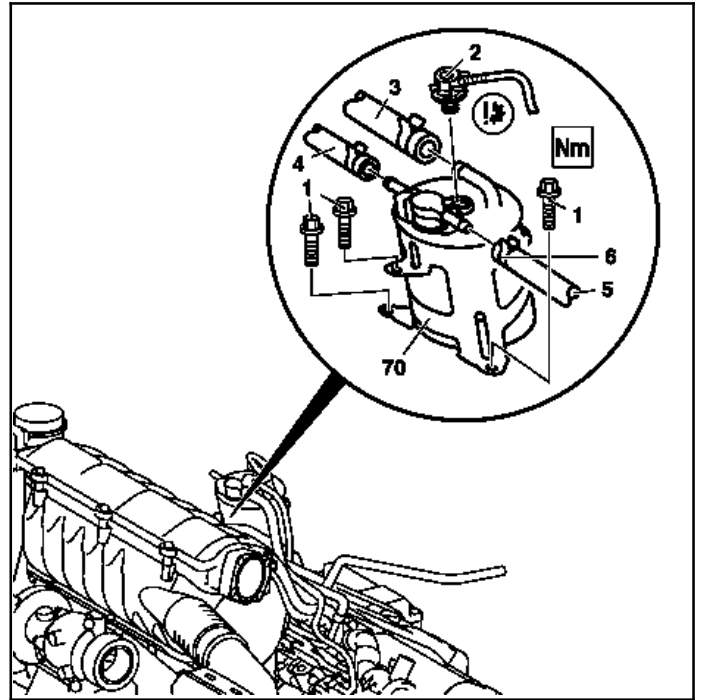


ENGINE 668.940/941/942 in MODEL 168

ENGINE 668.914 in MODEL 414

- 1 Bolts
- 2 Fuel output line
- 3 Fuel input line
- 4 Fuel pipe
- 5 Fuel pipe
- 6 Hose clamp
- 70 Fuel filter



P07.57-0223-12

⊠ ⊠	Remove/Install		
⚠ Danger!	Risk of explosion caused by ignition of flammable products, risk of poisoning caused by inhaling fuel vapors or swallowing fuel as well as risk of injury to skin and eyes exposed to fuel.	No fire, sparks, open flames or smoking. Pour fuels only into suitable and appropriately marked containers. Wear protective clothing when handling fuel.	AS47.00-Z-0001-01A
✋ AR	1 Disconnect fuel output line (2) at fuel filter (70) Separate fuel lines from engine, reconnect	<ul style="list-style-type: none"> i Collect escaping fuel. i Pay attention to use of circlip. 	AR47.25-P-1000-01A
	2 Disconnect fuel input line (3) and fuel lines (4, 5) at fuel filter (70)	<ul style="list-style-type: none"> i To do this, loosen clamps (6) at the fuel input line (3) and fuel lines (4, 5). i Collect escaping fuel. i Installation: Replace clamps (6). 	
	3 Detach fuel filter (70) at intake module	<ul style="list-style-type: none"> i For this purpose unscrew screws (1) 	*BA47.20-P-1001-02B
	4 Install in the reverse order		

Nm Fuel filter

Number	Designation		Engine	Engine
			668.914	668.940/ 941/942
BA47.20-P-1001-02B	Bolt of fuel filter to intake module	Nm	9	9