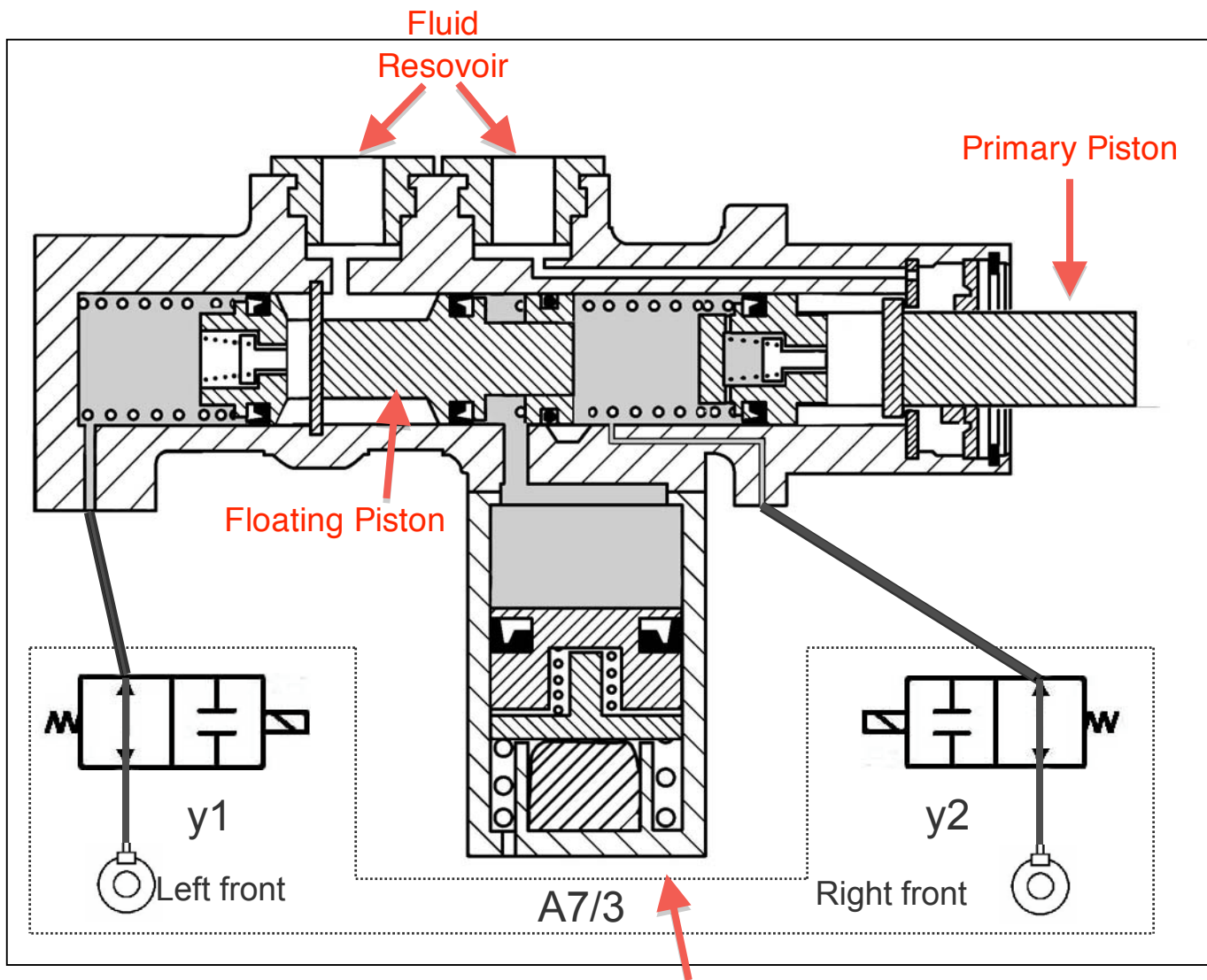


Emergency Operation



- All electrical functions canceled
- Hydraulic pressure created with NO power assist
- Pressure directed through A7/3 y1 and y2 to

Left Front and Right Front calipers only!

Brake Pressure Simulator (what you feel when stepping on the brake, normal operation)