

PCA | 12 V

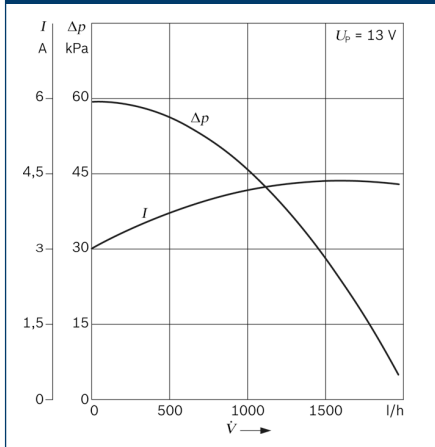


Technical data

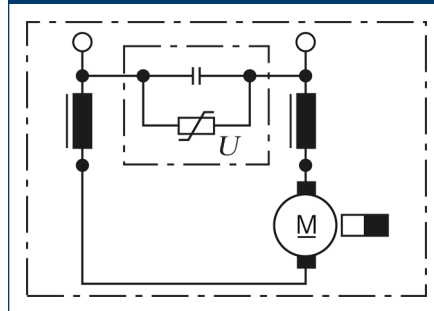
Part number	0 392 022 010	
Nominal voltage	U_N	12 V
Delivery	\dot{V}	1400 dm ³ ·h ⁻¹
Delivery pressure	p	0,3 bar
Direction of rotation		R
Operating mode		S 1
Degree of protection		IP 5 K 4 ¹⁾
Weight		approx. 1,1 kg

¹⁾ Applies only with receptacle housing in place

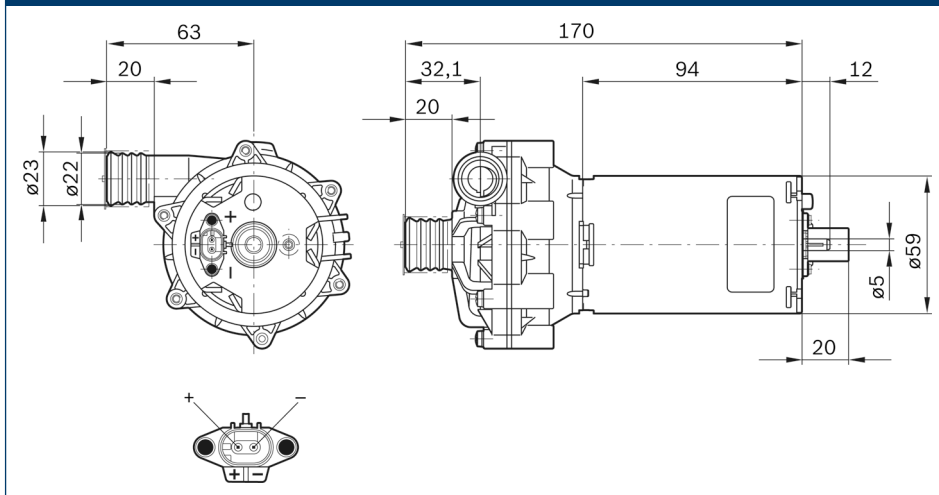
Characteristic curve



Connection diagram



Dimensional drawing



Robert Bosch GmbH
Automotive Aftermarket
Postfach 410960
76225 Karlsruhe
Germany

www.bosch-elektromotoren.de



BOSCH
Invented for life