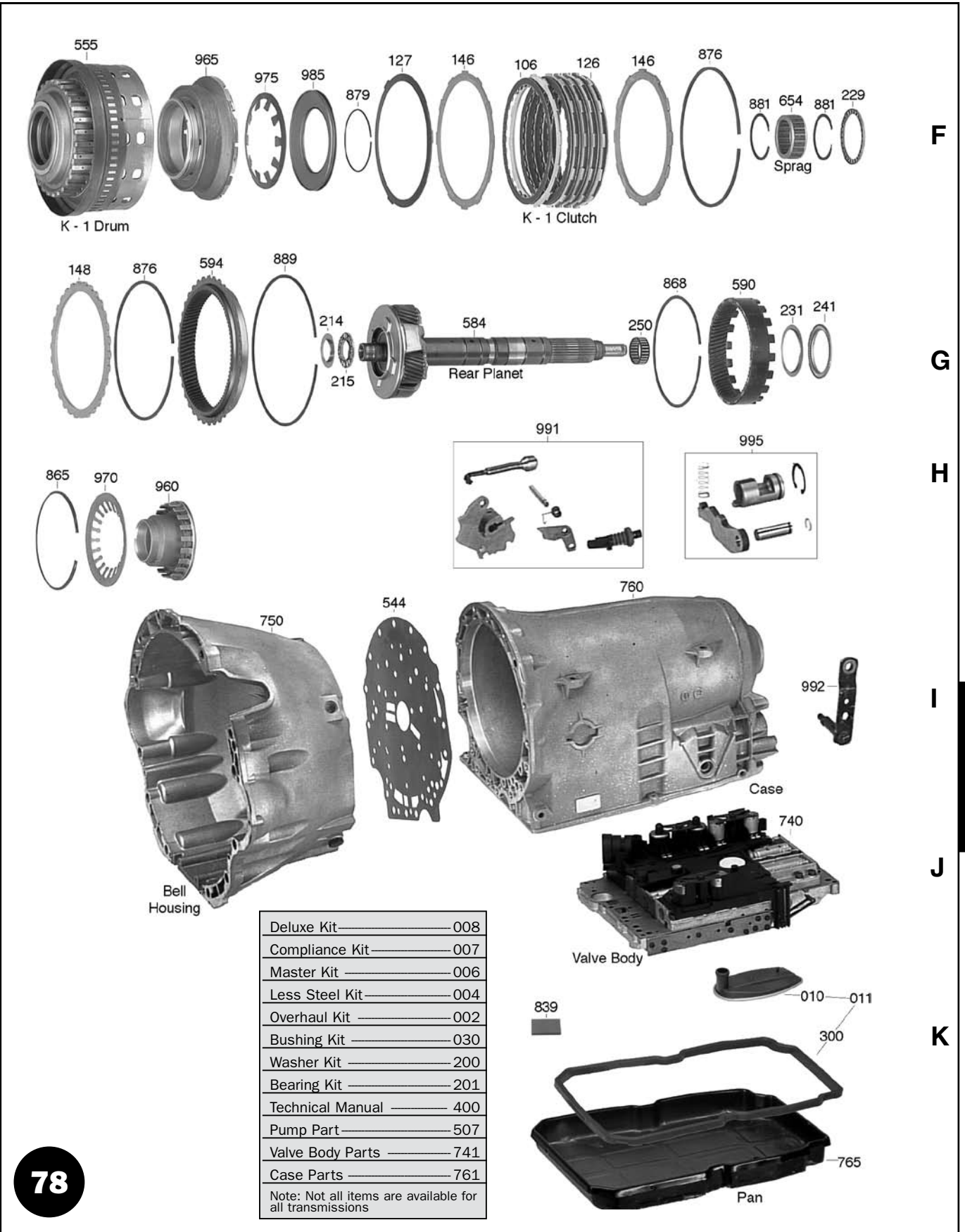


**5 SPEED**



Deluxe Kit	008
Compliance Kit	007
Master Kit	006
Less Steel Kit	004
Overhaul Kit	002
Bushing Kit	030
Washer Kit	200
Bearing Kit	201
Technical Manual	400
Pump Part	507
Valve Body Parts	741
Case Parts	761

Note: Not all items are available for all transmissions

# MERCEDES 722.6

# 5 SPEED

78010A



6 Bolt Pan  
5 Spd., 6 Solenoid  
78010A  
722.6

78300A



ILL.	DESCRIPTION	QTY.	YEAR	PART NO.	REFERENCE NO.
<b>MASTER OVERHAUL KITS (WITH STEELS) (1)</b>					
006K	722.6 (Double Sided Frictions) (5.25" ID K2 Frictions) .....	1	96-01	78006	K5500J
006K	722.6 (Double Sided Frictions) (5.45" ID K2 Frictions) .....	1	96-01	78006A	K5500K
006K	722.6 (Double Sided Frictions) .....	1	02-Up	78006E	K5500L
006K	722.6 (Single Sided Frictions) (5.25" ID K2 Frictions) .....	1	02-Up	78006C	K5500M
006K	722.6 (Single Sided Frictions) (5.45" ID K2 Frictions) .....	1	02-Up	78006D	K5500N
<b>LESS STEEL KITS (1)</b>					
004K	722.6 (Double Sided Frictions) (5.25" ID K2 Frictions) .....	1	96-01	78004	K5500J-LS
004K	722.6 (Double Sided Frictions) (5.45" ID K2 Frictions) .....	1	96-01	78004A	K5500K-LS
004K	722.6 (Double Sided Frictions) .....	1	02-Up	78004E	K5500L-LS
004K	722.6 (Single Sided Frictions) (5.25" ID K2 Frictions) .....	1	02-Up	78004C	K5500M-LS
004K	722.6 (Single Sided Frictions) (5.45" ID K2 Frictions) .....	1	02-Up	78004D	K5500N-LS
<b>(1) Kits Include Bonded Pistons</b>					
<b>OVERHAUL KITS (W/ RINGS &amp; SEALS)</b>					
002K	722.6 (w/o Bonded Pistons).....	1	96-Up	78002	K55900J
<b>FILTER KITS</b>					
011K	Filter Kit, 722.6 .....	1	96-Up	78011A	FK55800J
<b>FILTERS</b>					
010K	Filter .....	1	96-Up	78010A	55800G
<b>BUSHINGS</b>					
030K	Bushing Kit (Drum & Output Shaft) (Upgraded).....	1	96-Up	78030B	K55006
034	Front Pump Body .....	1	96-Up	78034	55005D
037	Stator (Rear) .....	1	96-Up	78037	55003D
047	Input Shaft.....	1	96-Up	78047	55006D
<b>METAL CLAD SEALS</b>					
070	Front Pump .....	1	96-Up	68070B	55200B
074	Rear.....	1	96-Up	78074	55201D
<b>FRICITION PLATES</b>					
114A	B1 Clutch.....	2-4	96-Up	78114	55115
114A	B1 Clutch (One Sided Friction w/ Internal Teeth).....	2-4	02-Up	78114C	55115C
134A	B1 Clutch (One Sided Friction w/ External Teeth) .....	2-4	02-Up	78134C	55115D
112D	B2 Clutch (External Teeth) .....	4-5	96-Up	78112	55118
110D	B3 Clutch.....	3-5	96-Up	78110	55119
106F	K1 Clutch.....	3-6	96-Up	78114	55115
106F	K1 Clutch (One Sided Friction w/ Internal Teeth).....	3-6	02-Up	78114C	55115C
126F	K1 Clutch (One Sided Friction w/ External Teeth) .....	3-6	02-Up	78134C	55115D
108B	K2 Clutch (5.25" ID) (Measure Tip of Tooth to Tip of Tooth) .....	3-5	96-Up	78108	55116
108B	K2 Clutch (5.45" ID) (Measure Tip of Tooth to Tip of Tooth) .....	5-6	96-Up	78108A	55116A
102C	K3 Clutch (.063") .....	3-5	96-97	78102A	55117
102C	K3 Clutch (.085") (replaces .063" frictions if 78122A Steels are used also).....	5	96-Up	78102	55117A
102C	K3 Clutch (One Sided Friction w/ Internal Teeth).....	5	02-Up	78102B	55117C
122C	K3 Clutch (One Sided Friction w/ External Teeth) .....	5	02-Up	78122B	55117D

ILL.	DESCRIPTION	QTY.	YEAR	PART NO.	REFERENCE NO.
<b>STEEL PLATES</b>					
134A	B1 Clutch (.071") .....	1	96-Up	78134	55120
134A	B1 Clutch (.110") .....	3-5	96-Up	78134B	55120B
134A	B1 Clutch (.138") .....	2-3	96-Up	78134A	55120A
134A	B1 Clutch (.157") .....	1-2	96-Up	78134D	55120D
132D	B2 Clutch (Internal Teeth) .....	3-4	96-Up	78132	55123
130D	B3 Clutch .....	3-5	96-Up	78130	55124
126F	K1 Clutch (.071") .....	1	96-Up	78134	55120
126F	K1 Clutch (.110") .....	3-5	96-Up	78134B	55120B
126F	K1 Clutch (.138") .....	3-5	96-Up	78134A	55120A
126F	K1 Clutch (.157") .....	1-2	96-Up	78134D	55120D
128B	K2 Clutch (.071") .....	1	96-Up	78128	55121
128B	K2 Clutch (.110") .....	5	96-Up	78128B	55121B
128B	K2 Clutch (.138") .....	2-5	96-Up	78128A	55121A
122C	K3 Clutch (.071") .....	1	96-Up	78122	55122
122C	K3 Clutch (.110") .....	3-4	96-Up	78122A	55122B
122C	K3 Clutch (.138") .....	3-4	96-Up	78122C	55122A
<b>GASKETS &amp; O-RINGS</b>					
300K	Bottom Pan (Molded Rubber) .....	1	96-Up	78300A	13843R
<b>TECHNICAL MANUALS</b>					
400K	Tech Manual & Video .....	1	96-Up	78400	55Y06
<b>ELECTRICAL COMPONENTS</b>					
420	Solenoid, Shift (2 O-Rings) (140-277-05-35 Marking) .....	3	96-Up	78421	5A-542
425	Solenoid, Lock-Up (TCC) / PWM (1 O-Ring) (140-277-04-35 Marking) .....	1	96-Up	78425	5A-540
431	Solenoid, Line & Shift Pressure (No O-Rings) (140-277-03-98 Marking) .....	2	96-Up	78431	5A-541
444	Solenoid Connector Plate (Black Plastic) .....	1	96-Up	78444	25A-540
444	Solenoid Connector Plate (Gray Plastic) .....	1	05-Up	78444A	25A-540C
444	Case Connector to Harness Sleeve .....	1	96-Up	78444B	25A-541
444	Case Connector to Connector Plate .....	1	96-Up	78444C	25A-541A
444	Harness Cap .....	1	96-Up	78444D	25A-541B
<b>MISCELLANEOUS COMPONENTS</b>					
211	Bearing, Input Shaft w/ Sealing Ring .....	1	96-Up	78211K	55006B
544I	Plate, Pump (Latex Coated) .....	1	96-Up	78544	55923B
654F	Sprag, Front (K1) .....	1	96-Up	78654	55960E
654F	Sprag, Rear (F2) .....	1	96-Up	78654A	55960F
740J	Valve Body (Premium) Cast 0006 (Jaguar) .....	1	98-Up	78740-1	P55990J
740J	Valve Body (Premium) Cast 0206 .....	1	96-97	78740-2	P55990K
740J	Valve Body (Premium) Cast 0506 .....	1	96-97	78740-3	P55990L
740J	Valve Body (Premium) Cast 0406 .....	1	96-00	78740-4	P55990M
740	Valve Body (Premium) Cast 0606 .....	1	00-Up	78740-5	P55990N
740	Valve Body (Premium) (NAG1 Chrysler Only) .....	1	03-Up	78740-6	P55990C
741	Spring, Pressure Regulator (Does not fit 00-Up) .....	1	96-99	78741P-3	55706
741	Kit, Overlap Control Sleeves .....	1	96-Up	78741DK	K55882
967	Bonded Piston, B1 Drum .....	1	96-Up	78967	55929