

Dokumenttitel

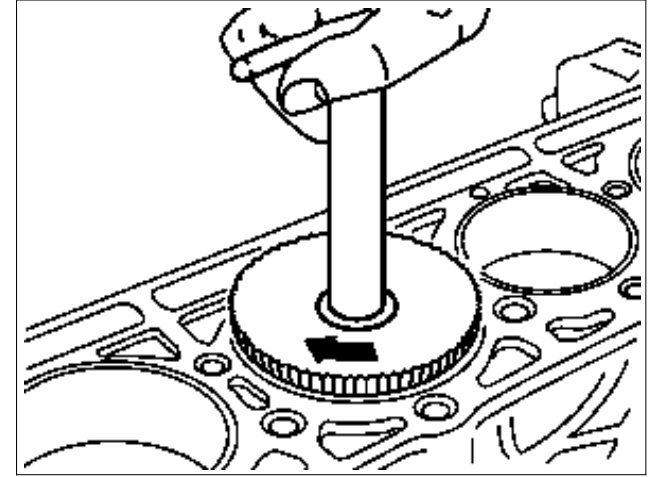
Chamfer cylinder bores

Dokumentnummer

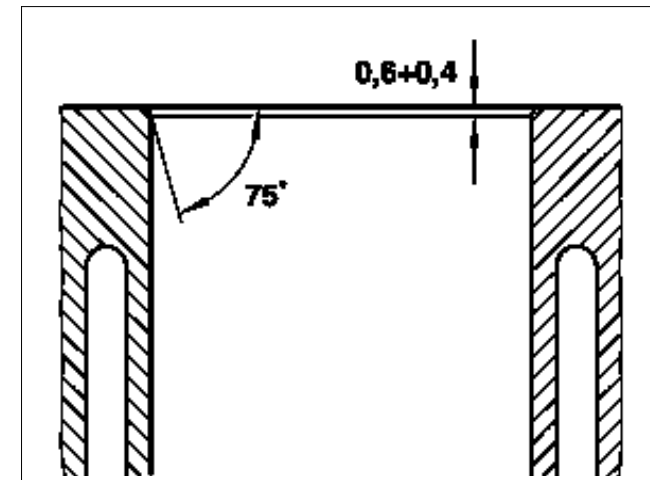
ar0140p920101a

- 1 Chamfer off the burr which has accumulated on the cylinder bores after drilling out using a suitable tool (e.g. hand milling cutter).

i Equalize the bottom edge of chamfer with a polishing stone.



P01.40-0229-01



P01.40-0230-01