



Date: February 3, 2015  
Order No.: P-B-47.10/63b  
Supersedes: P-B-47.10/63a, January 16, 2015  
Group: 47

**SUBJECT: Model 211, Model Years 2003- 2009 and  
Model 219, Model Years 2006- 2011  
Fuel Odor In the Area of the Fuel Tank**

In our continuing efforts to enhance the satisfaction of our customers, Mercedes-Benz USA, LLC (MBUSA) has decided to extend the warranty for certain fuel tank components in certain Mercedes-Benz vehicles.

**Which Vehicles:**

gasoline-fueled, non-PZEV certified Model Year 2003 – 2009 E-Class

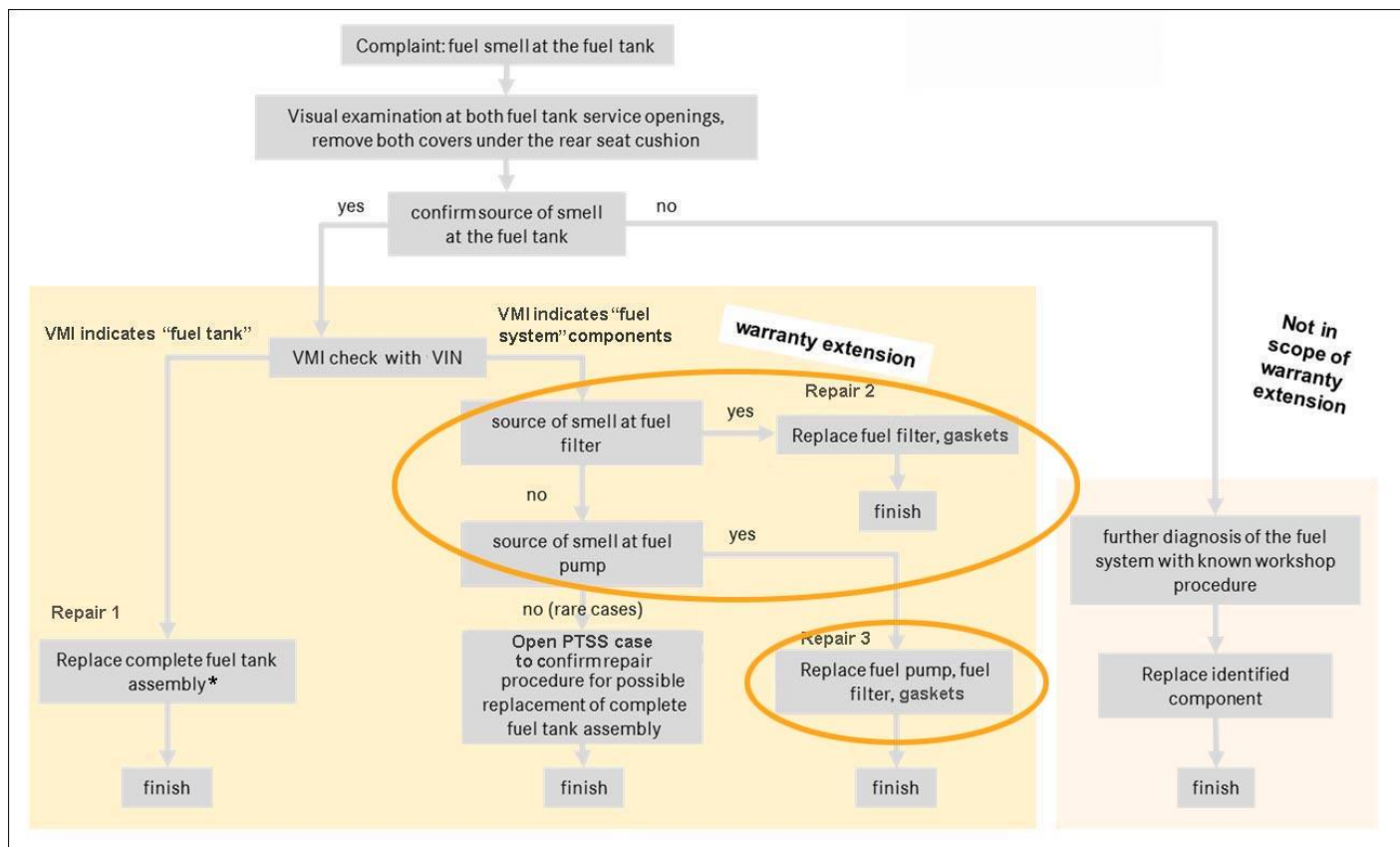
Model Year 2006 – 2011 CLS-Class

**Which Parts are Covered:** The warranty covers the fuel tank, fuel filter/sender, fuel pump, and gaskets (collectively the “Covered Fuel Tank Components”)

**What are the Terms of the Extended Warranty:** Warranty on the “Covered Fuel Tank Components” will be extended from the original 4 years / 50,000 miles (whichever occurs first) to 15 years, regardless of mileage. This warranty extension applies to covered vehicles regardless of ownership. If during this period the vehicle experiences a leakage from any of the “Covered Fuel Tank Components” listed above and it is determined that it is due to a warrantable condition that would have been covered had it occurred during the original warranty period, this warranty extension will cover the necessary part(s) and labor to repair or replace the component(s). The Extended Warranty coverage varies by model and model year. VMI will display information regarding this warranty extension in the “Service Packages” section for all affected vehicles and is detailed below. The effective date of this warranty extension is January 9, 2015

This bulletin has been created and maintained in accordance with MBUSA-SLP S423QH001, Document and Data Control, and MBUSA-SLP S424HH001, Control of Records.

## Work process flow chart



Please note, this flow chart does not include all the steps for this procedure. Please be sure to read all steps included in the Procedure starting on the following pages:

\* For AMG vehicles, a complete fuel tank assembly is not yet available. Use existing part numbers in EPC for the tank, fuel pump, fuel filter and gaskets.

## Procedure



1. Check for fuel smell at the fuel tank.
2.  Remove rear bench seat for model:
  - 211.0 refer to WIS: AR91.12-P-1020T.
  - 211.0 (with through-loading feature) refer to WIS: AR91.12-P-1020TA.
  - 211:2 refer to WIS: AR91.12-P-1020B.
  - 219.3 refer to WIS: AR91.12-P-1020TX.



Figure 1

3.  Remove screws (5, Figure 1) and take off both fuel tank access covers (2).

 **Note:**

During assembly, do not install the covers (2) until after running engine and checking for fuel leaks.

4.  Visual inspection of the visible areas of both service openings:

4A. Cause of fuel odor **cannot** be traced:

- 4.1. Completion of further diagnosis with subsequent repair on entire fuel system with known workshop process.
- 4.2 Assemble in reverse order.


 **Note:**

These repairs are not covered by warranty extension; the further completion of this Procedure is complete.

- 4B. Cause of fuel odor in area of fuel tank **can** be traced by recognizing leaky areas or minor fuel leakage at the areas visible through the service openings of the fuel system.

4.3 Check vehicle data (VIN) in the VMI system for warranty coverage:

- A. VMI indicates that complete **fuel tank** assembly is covered by warranty extension:

-  Replacement of fuel tank assembly for model:

211 refer to WIS: AR47.10-P-4100T

219 refer to WIS: AR47.10-P-4100TX



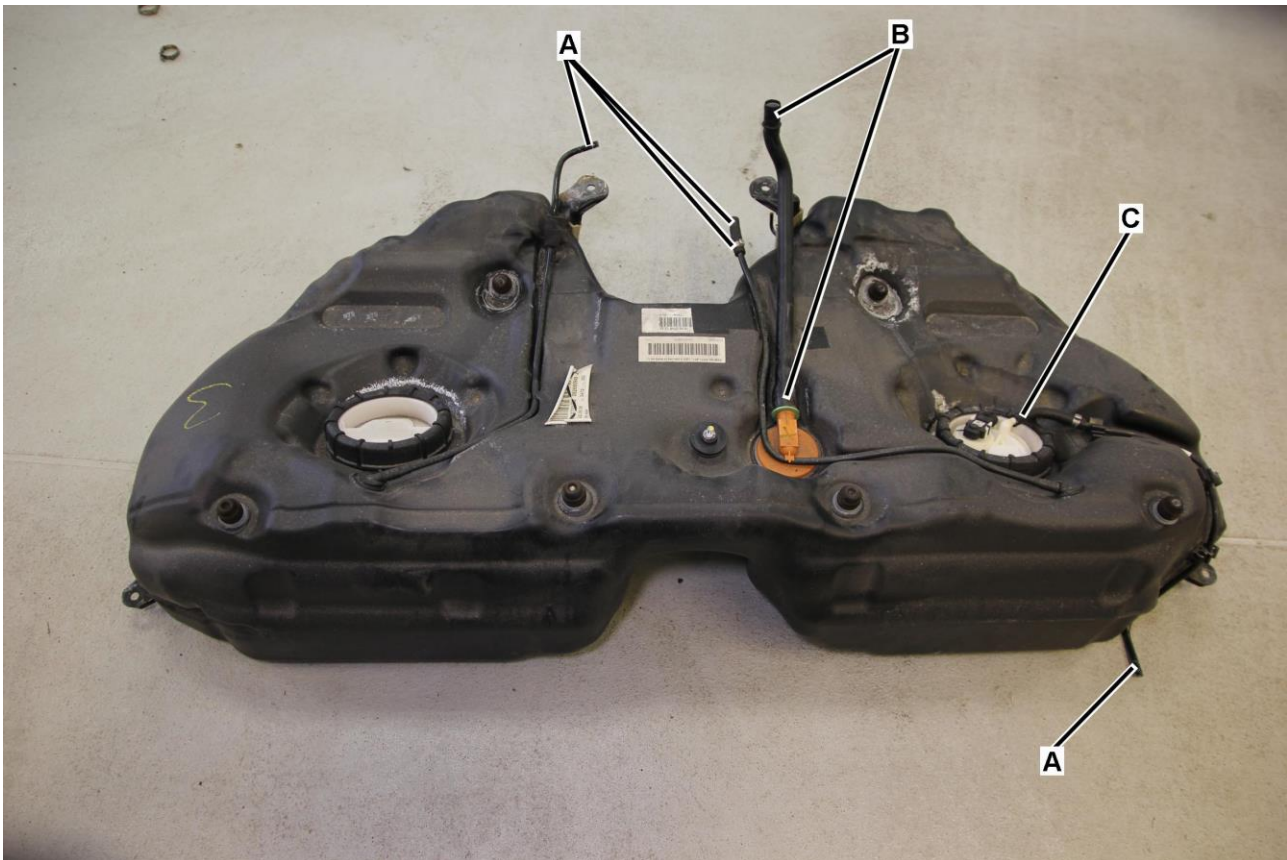
**WARNING!** If it is necessary to apply heat or cut exhaust fasteners when removing rear exhaust ensure that fuel lines/hoses **are connected or plugged**. Ensure work area near fuel tank assembly is **well ventilated**. Refer also to WIS: AS47.00-Z-0001-01A for additional precautions.

**i** **Note:** Regarding above WIS instructions

- It is not necessary to disconnect the emergency brake cable from the emergency brake shoes when removing fuel tank.
- Refer to Figure 2 for location of clic® clamps according to part number.
- Be careful not to break mounting studs for underbody panels when removing plastic nuts securing under body panel to vehicle. Apply rust penetrant to stud to help prevent breakage of stud.
- Older vehicles with 2 prong connector on fuel tank sending unit (with integrated fuel filter) require jumper harness to connect new sending unit to existing wiring harness (refer to parts table).

**i** **Note:**

- Procedure is complete, reassemble in reverse order.
- Use only approved fuel extraction tank when removing fuel from a vehicle. Approved fuel extraction equipment can be obtained through our equipment provider BASS at 1-888-458-4040 or via on-line at [www.mbusassep.com](http://www.mbusassep.com).



**Figure 2** (shown on model 211.056 installation locations on other models may vary)

**Legend for Figure 2**

A	Hose clamp (qty. 4)	A 006 997 18 90
B	Hose clamp (qty. 2)	A 000 995 89 10
C	Hose clamp (qty. 1)	A 005 997 83 90

B. VMI indicates that individual components in fuel system are covered by warranty extension:


4.3.1 Fuel filter identified as cause of fuel odor:

 Replacement of fuel filter and gaskets as per:

211 refer to WIS: AP47.20-P-0780TC

219 refer to WIS: AP47.20-P-0780TX

4.3.2 Fuel pump identified as cause of fuel odor:

 Replacement of fuel pump, fuel filter and gaskets as per:


211 refer to WIS: AR47.20-P-7000TA and AP47.10-P-0780TC

219 refer to WIS: AR47.20-P-7000TX and AP47.10-P-0780TX

4.3.3 In the **unlikely case** fuel tank identified as cause of fuel odor:

Please generate a PTSS technical support case:

- Provide symptom string: Power Generation / Fuel systems / Fuel system odor / Odor
- Attach (detailed) photographs of the suspect area to the case. (see example, Figure 3).

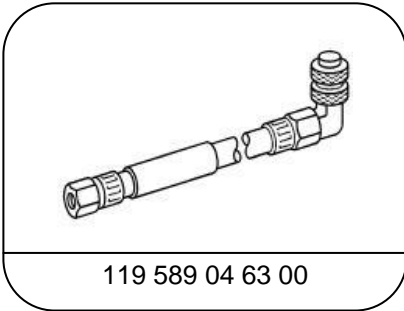
 **Note:** Fuel residue (outlined, Figure 3) and/or liquid fuel must be visible in photo.

- No SDS printouts are required to the case.
- Ensure that all other steps have been completed prior to generating the PTSS technical support case.
- Your case will be forwarded to the responsible engineer for review and next steps will be provided.
- Do not return vehicle to owner, allow at least a 24 hr. turn-around time for a response on how to proceed as DAG will be involved with this process.

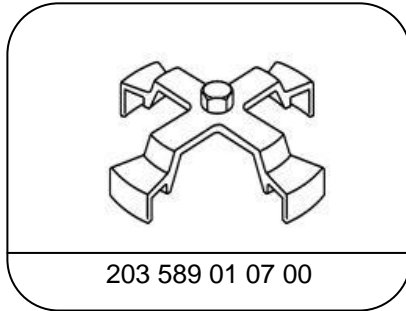


**Figure 3** (Fuel residue outlined)

 **Special Tools**



Pressure hose



Claw-type wrench

**Locally Procured Tool**



Assenmacher® Tool: Angled  
Fuel/EVAP Clamp Pliers

For Assenmacher® tools please use this link: [http://asttool.com/search\\_results.php](http://asttool.com/search_results.php)

 **Note (regarding WIS documents referenced in this Procedure):**

Replacement of parts not listed in the parts table of this Procedure are not claimable under this campaign. If replacement of additional part(s) is necessary, check coverage prior to submitting under warranty.

**Primary Parts Information (complete fuel tank assembly replacement)\***

Qty.	Part Name	Part Number	Estimated Replacement Rate
1	Fuel tank	A 211 470 41 02	1%
1 (if required)	Jumper harness <sup>1)</sup>	A 211 440 05 07	
4	Bolts (fuel tank strap)	A 002 990 91 22	
3	Drive shaft nut (rear)	A 002 990 62 54	
2	Exhaust bolt (fixed)	A 170 990 00 10	
2	Exhaust bolt (slip fit)	A 129 990 04 10	
4	Nut (front exhaust to rear exhaust)	A 120 142 00 72	
1	Exhaust seal ring (fixed)	A 202 492 02 81	
1	Exhaust seal ring (slip fit)	A 126 997 00 41	
1	Hose clamp ( <b>To filter on tank</b> )	A 005 997 83 90	
4	Hose clamp (fuel tank line)	A 006 997 18 90	
2	Hose clamp (vent line)	A 000 995 89 10	
1 (if required)	Grommet	A 000 988 20 27	

<sup>1)</sup> Older vehicles with 2 prong connectors on fuel tank sending unit (with integrated fuel filter) require jumper harness (Figure 4) to connect new sending unit to existing wiring harness.

**Primary Parts Information (fuel filter and/or fuel pump)\***

Qty.	Part Name	Part Number	Estimated Replacement Rate
1	Fuel filter	A 211 470 60 94	1%
1	Fuel pump	A 211 470 41 94	
1 or 2*	Gasket(s)/sealing ring(s)	A 211 471 05 79	

\* If both fuel filter and fuel pump are replaced.

\* For AMG vehicles, a complete fuel tank assembly is not yet available. Use existing part numbers in EPC for the tank, fuel pump, fuel filter and gaskets for the respective repair.



**Figure 4 (Fuel tank sending unit jumper harness)**

**i** **Note:**

- Please be aware that only the part number(s) referenced in the Campaign Bulletin is/are approved for use to repair the vehicle. Repairs performed using any other part(s) will not have been performed in accordance with the campaign. Accordingly, warranty claims submitted with reference to an improper part number(s) will be denied.
- The following allowable labor operation should be used when submitting a warranty claim for this repair:

**Warranty Information****Repair 1**

**Operation:** Fuel tank Drain/Fill (47-4000)  
 Observe accident prevention regulations for fuel (47-4020)  
 Prepare fuel tank for disposal (47-4030)  
 Replace fuel tank assembly (47 4600)

Damage Code	Operation Number	Labor Time (hrs.)
47 001 04 7	47-4000	ZM
	47-4020	0.3
	47-4030	ZM
	47-4600	3.3

**Repair 2**

**Operation:** Fuel tank Drain/Fill (47-4000)  
 Replace fuel filter/sensor of fuel level indicator (47 0600).

Damage Code	Operation Number	Labor Time (hrs.)
47 081 65 7	47-4000	ZM
	47-0600	0.7

**Repair 3**

**Operation:** Fuel tank Drain/Fill (47-4000)  
 Replace fuel filter/sensor of fuel level indicator (47 0600).  
 Replace fuel pump (47 0601)

Damage Code	Operation Number	Labor Time (hrs.)
47 081 65 7	47-4000	ZM
	47-0600	0.7
	47-0601	0.7

**Note**

Operation Number labor times are subject to change.