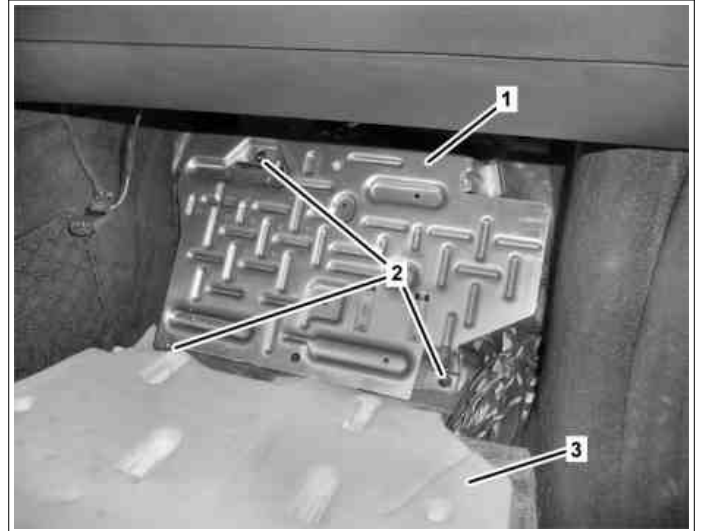


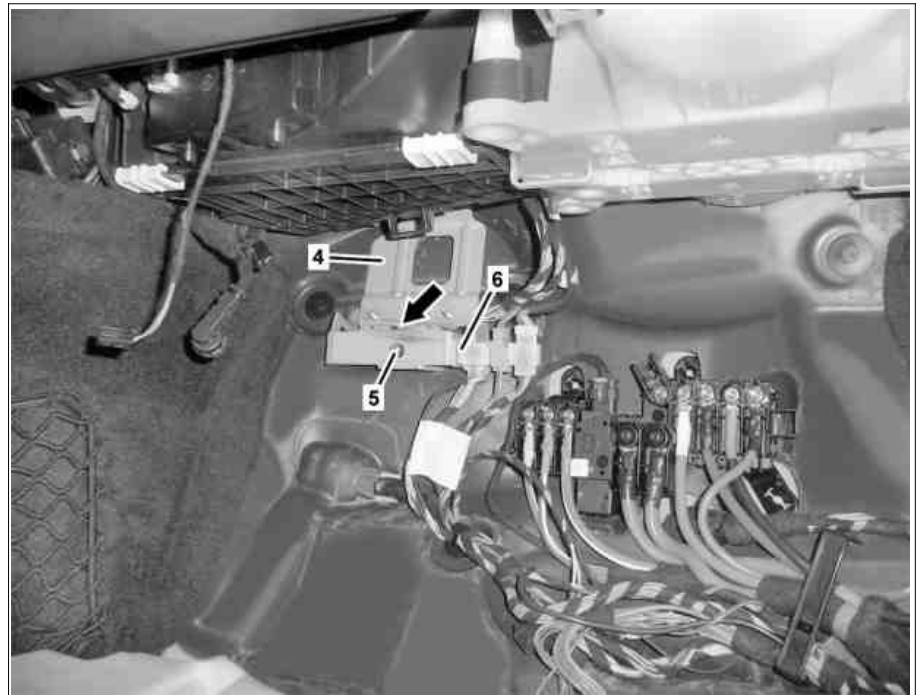
- 1 Fold back floor covering (3) in front passenger footwell.
- 2 Unscrew nuts (2) and fold back footrest (1).



P82.60-7622-11

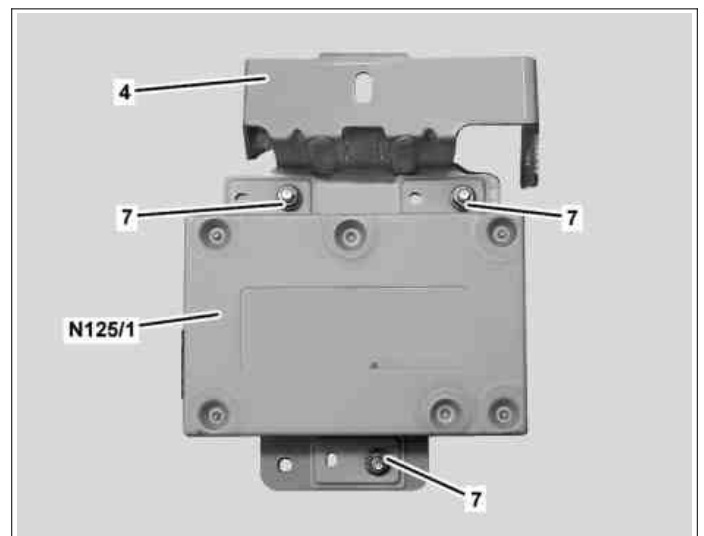
i Only conduct operation steps 3 to 5 if the bracket (4) is installed.

- 3 Unscrew nut (5) from bracket (4)
- 4 Release shackle that is located below the arrow on the bracket (4), and remove the bracket (4).
- 5 Detach carrier (6) of electrical connectors from bracket (4).



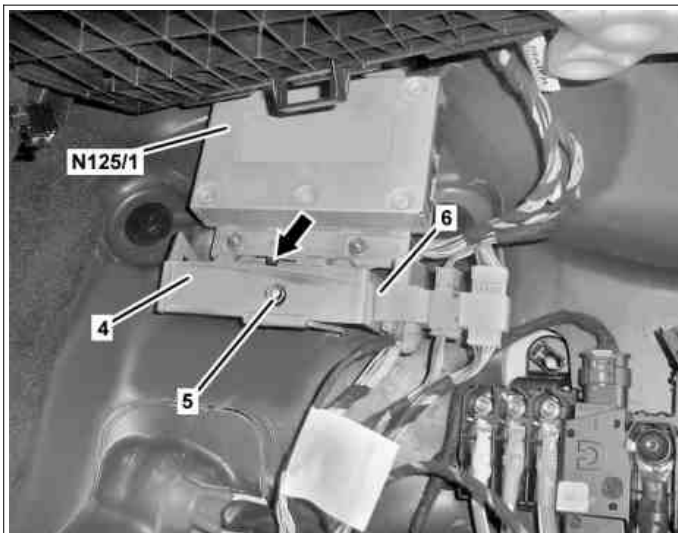
P82.60-7623-06

- 6 Position media interface control unit (N125/1) on vehicle's own bracket or bracket contained in delivery contents (4) and tighten with nuts (7).



P82.60-7624-11

- 7 Install carrier (6) of electrical connectors at bracket (4).
- 8 Position media interface control unit (N125/1) with bracket (4) in vehicle.
- 9 Tighten nut (5) at bracket (4).
- 10 Bend shackle that is located beneath arrow at bracket (4) downwards slightly.



P82.60-7625-11