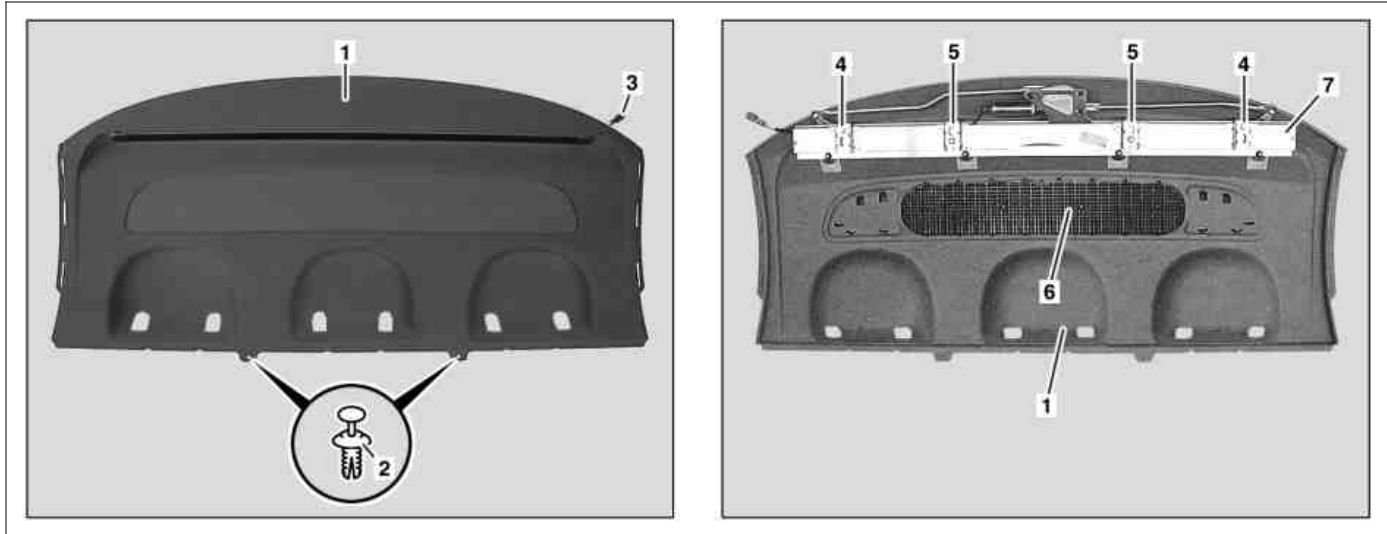


MODEL 211.0

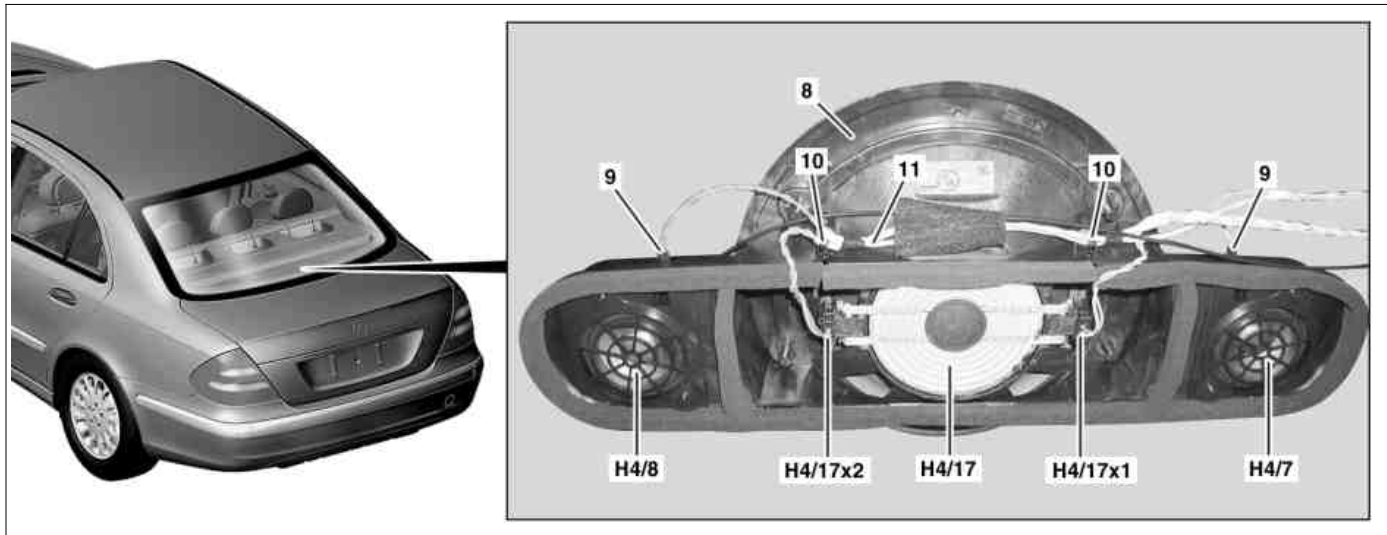
with CODE (540a) Electric roller blind for rear window  
except CODE (287a) Through-loading feature

P68.30-2675-08

1 Rear shelf trim  
2 Expansion rivet  
3 Electrical connector

4 Nut  
5 Bolt

6 Rear speaker cover  
7 Electric roller blind



P82.62-2417-08

8 Speaker housing  
9 Electrical connector (with code (810)  
Sound system)  
10 Retaining clip  
11 Wiring harness

H4/7 Left rear speaker (with code (810)  
Sound system)  
H4/8 Right rear speaker (with code  
(810) Sound system)  
H4/17 Bass module speaker

H4/17x1 Bass speaker connector 1  
H4/17x2 Bass speaker connector 2

	Remove/Install		
1	Remove rear seat backrest		AR91.12-P-1620T
2	Remove rear headrests		AR91.16-P-1770T
3	Remove trim at both C-pillars	Do not detach belt end fitting.	AR68.30-P-4490T
4	Remove expansion rivets (2)		
5	Unscrew nuts (4) and bolts (5)	Accessible through trunk.	
6	Lift rear shelf trim (1) and unclip rear speaker cover (6)		
7	Disconnect woofer connector 1 (H4/17x1) and woofer connector 2 (H4/17x2) from woofer (H4/17)		
8.1	Disconnect electrical connectors (9) from left rear speaker (H4/7) and right rear speaker (H4/8)	On vehicles with code (810) Sound system	

9	Take off retaining clips (10) and remove wiring harness (11) from speaker housing (8)		
10	Turn speaker housing (8) counterclockwise until it unlocks		
11	Lift rear shelf trim (1), pull toward front together with speaker housing (8) and remove speaker housing (8)	<b>i</b> Pay attention to insulating mat below rear shelf trim (1)	
12	Disconnect electrical connector (3) and remove rear shelf trim (1)		
13.1	Remove electric roller blind (7)	Only when replacing rear shelf trim (1)	AR68.50-P-4600T
14	Install in the reverse order		