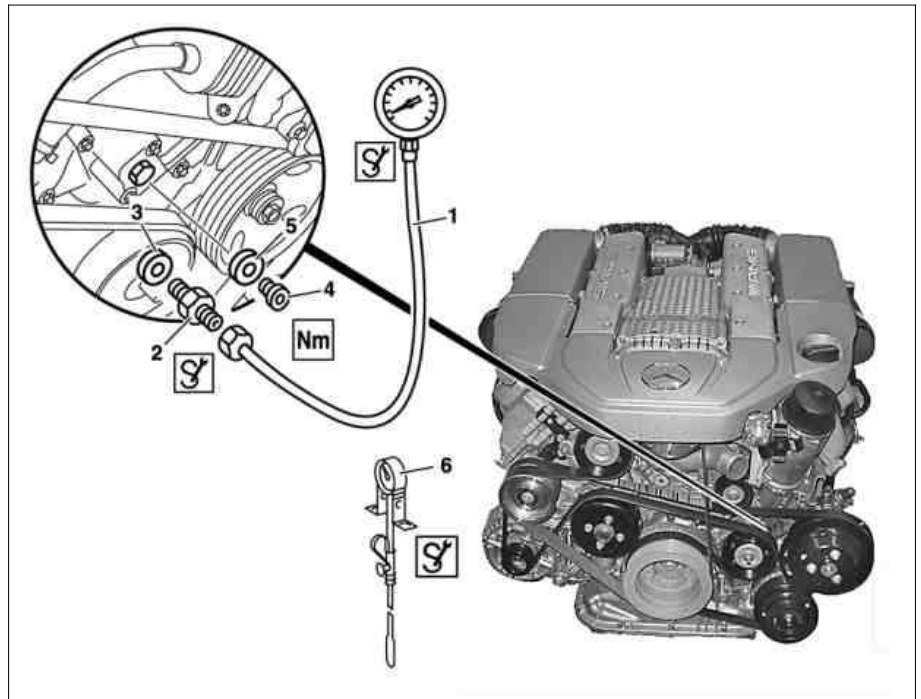


ENGINES 113.990 in MODEL 211.076 /276

ENGINES 113.991 in MODEL 215.374, 220.074 /174

Shown on engine 113.991

- 1 Oil pressure gauge
- 2 Connection fitting
- 3 Sealing ring
- 4 Screw plug
- 5 Sealing ring
- 6 Remote thermometer



P18.40-2108-06

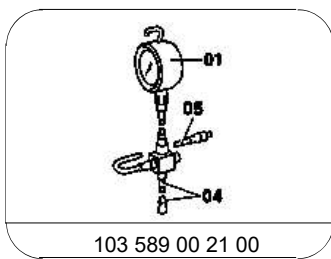
	Remove/install		
1	Unclip engine cover		
2	Remove screw plug (4) with sealing ring (5) at timing case cover	<b>Installation:</b> Replace sealing ring, in order to preclude leakage. Screw plug on crankcase	<a href="#">*BA18.40-P-1001-01B</a>
3	Connect oil pressure gauge (1) with connection fitting (2) at timing case cover	Testing unit Double union	<a href="#">*103589002100</a> <a href="#">*166589006300</a>
	<b>Checking</b>		
4	Check oil level	Engine 113.990 in model 211 AMG Engine 113.991 in model 215, 220 AMG Oil dipstick	<a href="#">AR18.00-P-3035-01O</a> <a href="#">AR18.00-P-3035-01DA</a> <a href="#">*120589072100</a>
5	Connect remote thermometer (6)	Guide temperature sensor through the dipstick guide tube into the engine oil. Remote thermometer	<a href="#">*124589072100</a>
<b>Danger!</b>	<b>Risk of accident</b> caused by vehicle starting off by itself when engine is running. <b>Risk of injury</b> caused by contusions and burns during starting procedure or when working near the engine as it is running	Secure vehicle to prevent it from moving by itself. Wear closed and snug-fitting work clothes. Do not touch hot or rotating parts.	<a href="#">AS00.00-Z-0005-01A</a>
6	Start the engine, bring to normal operating temperature and measure oil pressure	When the throttle is opened, the oil pressure must rise without any delay.	<a href="#">*BE18.00-P-1001-01B</a>
7	Install in the reverse order		

### Oil pressure test specifications

Number	Designation	Engine 112, engine 113.940/941/ 942/943/944/ 945/946/948/ 960/961/962/ 963/964/965/ 966/967/968/ 969/971/980/ 981/982/984/ 986/987/988/ 990/991/992/ 993/995
BE18.00-P-1001-01B	Oil pressure at operating temperature –	bar ≥0.7
	at	rpm 700
	–	bar ≥3.0
	at	rpm 3000
	–	bar -
	at	rpm -

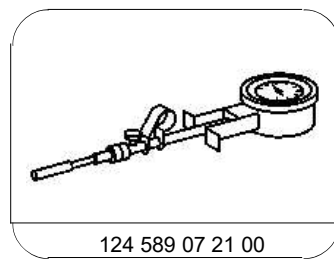
**Nm** Oil level/oil pressure sensor

Number	Designation	Engine 113.991/ 993	Engine 113.987/ 988/990
BA18.40-P-1001-01B	Screw plug to crankcase	Nm 20	20



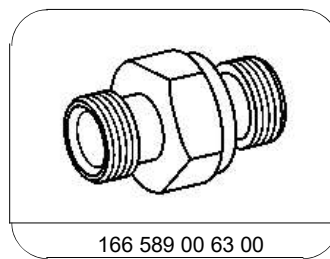
103 589 00 21 00

Tester



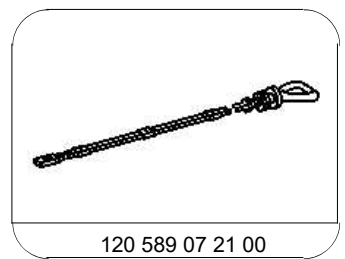
124 589 07 21 00

Remote thermometer



166 589 00 63 00

Double union



120 589 07 21 00

Dipstick