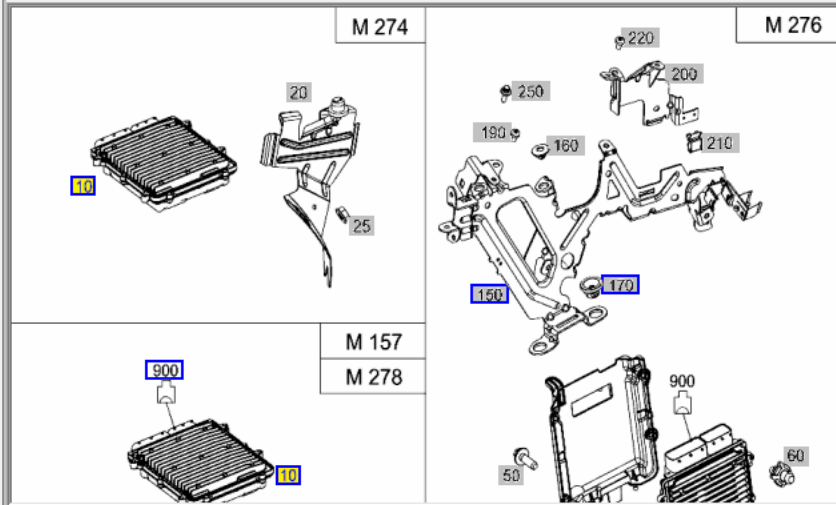


Identification number WDD 212076

MD mode 1. Car 212076 E 63 AMG S-MODELL 4MATIC 212.076 54 ELECTRICAL EQUIPMENT AND INSTRUMENT ... 078 ENGINE CONTROL MODULE

212076 E 63 AMG S-MODELL 4MATIC

Item...	Part number	Designation/description	Quantity
<input checked="" type="checkbox"/>	10 A 278 900 13 00	CONTROL UNIT ENGINE CONTROL MODULE [429_672_697] THEFT-RELEVANT PART Code: 804/805/806/807	001
<input checked="" type="checkbox"/>	10 A 278 900 15 00	CONTROL UNIT ENGINE CONTROL MODULE [429_672_697] THEFT-RELEVANT PART Code: 800/801/802/803	001
<input type="checkbox"/>	900 Q 0000000001	IMPORTANT INFORMATION CONNECTOR HOUSING ON ENGINE WIRING HARNESS SIDE, SEE: M54/120	001
	150	*** Item no. not valid for this model des.	
	170	*** Item no. not valid for this model des.	



No.	Dam...	Item no.	Part number	ES1	ES2	Designation/description	Quantity	Qty o...	Price	Warra...
3		10	A 278 900 13 00			CONTROL UNIT ENGINE CONTROL MODULE	1			
3		10	A 278 900 13 00	80		CONTROL UNIT ENGINE CONTROL MODULE	1			
2		10	A 278 900 15 00			CONTROL UNIT ENGINE CONTROL MODULE	1			
2		10	A 278 900 15 00	87		CONTROL UNIT ENGINE CONTROL MODULE	1			
2		10	A 278 900 15 00	80		CONTROL UNIT ENGINE CONTROL MODULE	1			
1		10	A 278 900 13 00			CONTROL UNIT ENGINE CONTROL MODULE	1			
1		10	A 278 900 13 00	80		CONTROL UNIT ENGINE CONTROL MODULE	1			

Market: All Catalog: D04

https://www.ebay.com/b/Car-Truck-Engine-Computers-for...E63.../bn_20236489

