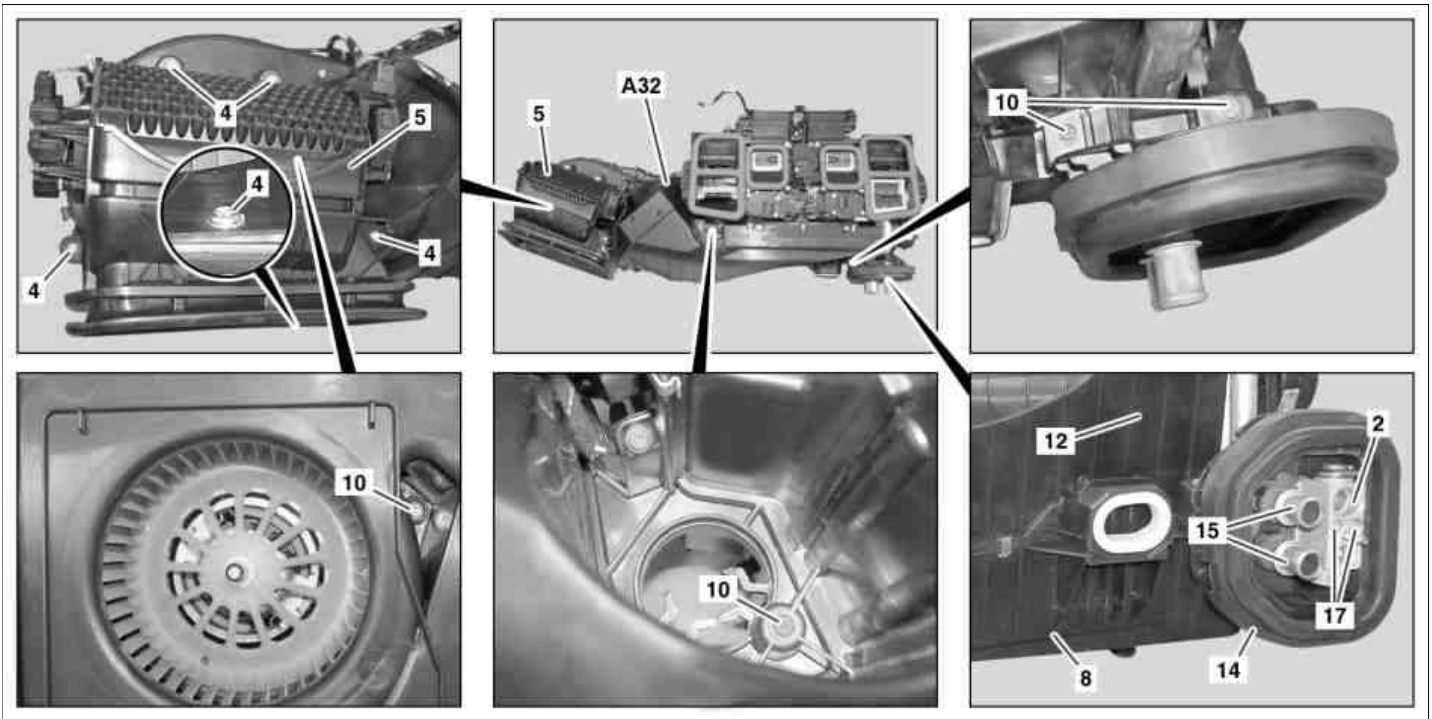


MODEL 204, 207, 212, 218



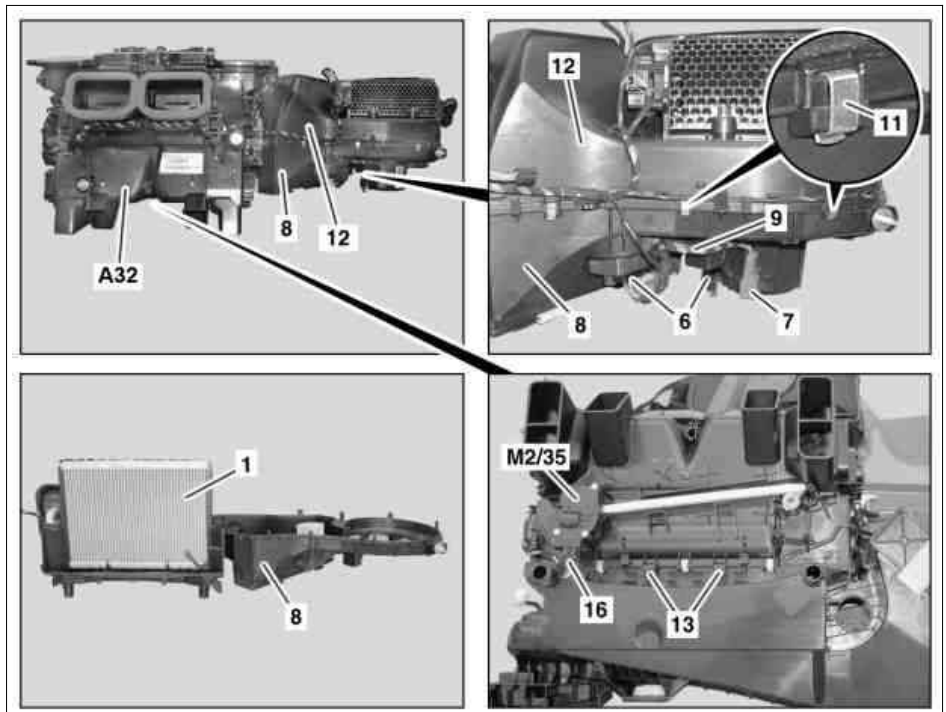
P83.30-4494-09

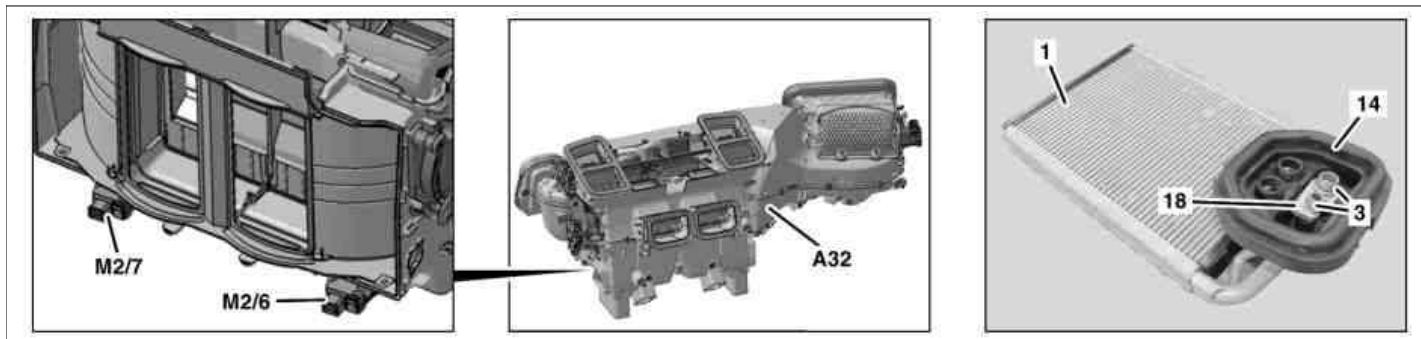
Shown with code (581) Comfort automatic air conditioning

- | | | | | | |
|---|---------------------------------------|----|--------------------------------------|-----|------------|
| 2 | Expansion valve | 10 | Bolts | 17 | Bolts |
| 4 | Bolts | 12 | Air conditioning housing top section | A32 | AC housing |
| 5 | Fresh air/recirculated air housing | 14 | Seal | | |
| 8 | Air conditioner housing lower section | 15 | Coolant lines | | |

Shown with code (581) Comfort automatic air conditioning

- | | |
|-------|---|
| 1 | Evaporator |
| 6 | Electrical connectors |
| 7 | Connector |
| 8 | Air conditioner housing lower section |
| 9 | Electrical wiring harness |
| 11 | Clip |
| 12 | Air conditioning housing top section |
| 13 | Hook |
| 16 | Electrical connector (with code (581) Comfort automatic air conditioning) |
| A32 | AC housing |
| M2/35 | Rear blend air flap actuator motor (with code (581) Comfort automatic air conditioning) |





P83.30-4496-07

Shown with code (580) Automatic air conditioning

1	Evaporator	18	Bracket	M2/7	Right blending air flap actuator
3	Refrigerant lines	A32	AC housing		
14	Seal	M2/6	Left blending air flap actuator		

	Remove/install		
1	Remove air conditioner housing (A32)	Remove/install air conditioner housing	AR83.30-P-5200CW
2	Remove screws/bolts (17) and detach expansion valve (2) from refrigerant lines (3)	ⓘ Installation: Screw in screws/bolts alternately (17). To avoid jamming of the expansion valve (2). i Replace sealing rings at refrigerant lines (3).	
3	Remove screws/bolts (4) and place fresh air/recirculated air housing (5) to one side with electrical lines connected		
4	Separate electrical connectors (6)		
5	Remove connector (7) from air conditioning housing bottom section (8)		
6	Remove electrical wiring harness (9) from air conditioner housing bottom section (8)		
7	Disconnect electrical connector from left blend air flap actuator motor (M2/6) and electrical connector from right blend air flap actuator motor (M2/7)		
8	Disconnect electrical connector (16) from rear blend air flap actuator motor (M2/35)	MODEL 204, 207, 212, 218 with CODE 581 (Comfort automatic air conditioning)	
9	Remove screws/bolts (10)		
10	Remove all clips (11) holding the air conditioner housing bottom section (8) and air conditioner housing top section (12) together		
11	Remove air conditioner housing top section (12) from air conditioner housing bottom section (8)	i Carefully lift air conditioning housing top section (12) over hooks (13).	
12	Moisten seal (14) in area of coolant lines (15) with lubricant and guide over coolant lines (15)	Lubricant, rubber assembly 1 l	*BR00.45-Z-1010-06A
13	Remove evaporator (1) from lower section of air conditioner housing (8)		
14	Detach bracket (18) from refrigerant lines (3)		
15	Detach seal (14) from refrigerant lines (3)		
16	Install in the reverse order		

Repair materials

Number	Designation	Order number
BR00.45-Z-1010-06A	Lubricant, rubber assembly 1 l	A 000 989 03 67