



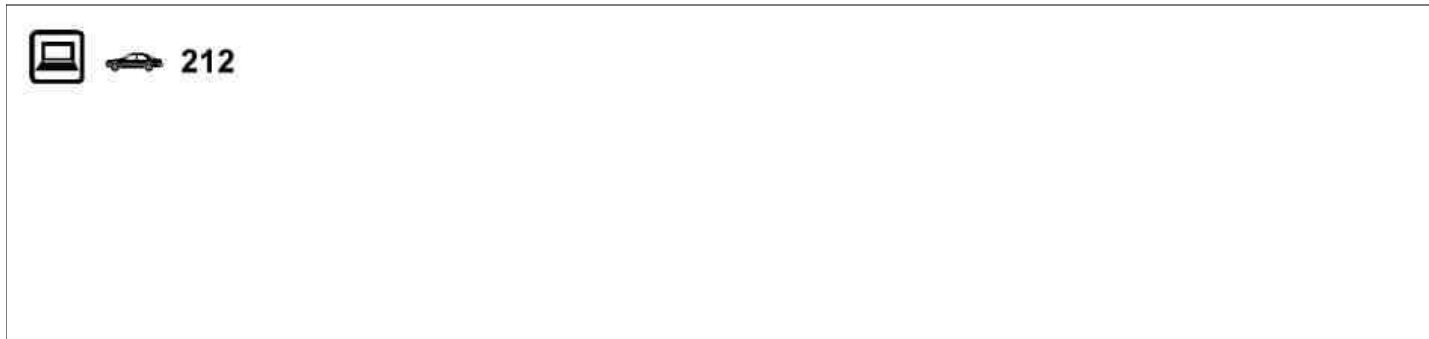


MODEL 207, 212 with CODE (523) MB Audio 20 radio
MODEL 207, 212 with CODE (510) Audio 20 with CD changer
MODEL 207, 212 with CODE (525) MB Audio 50 APS radio
MODEL 207, 212 with CODE (511) Audio 50 APS with DVD changer
MODEL 207, 212 with CODE (527) COMAND APS with single DVD drive (with navigation)
MODEL 207, 212 with CODE (512) COMAND APS with DVD changer

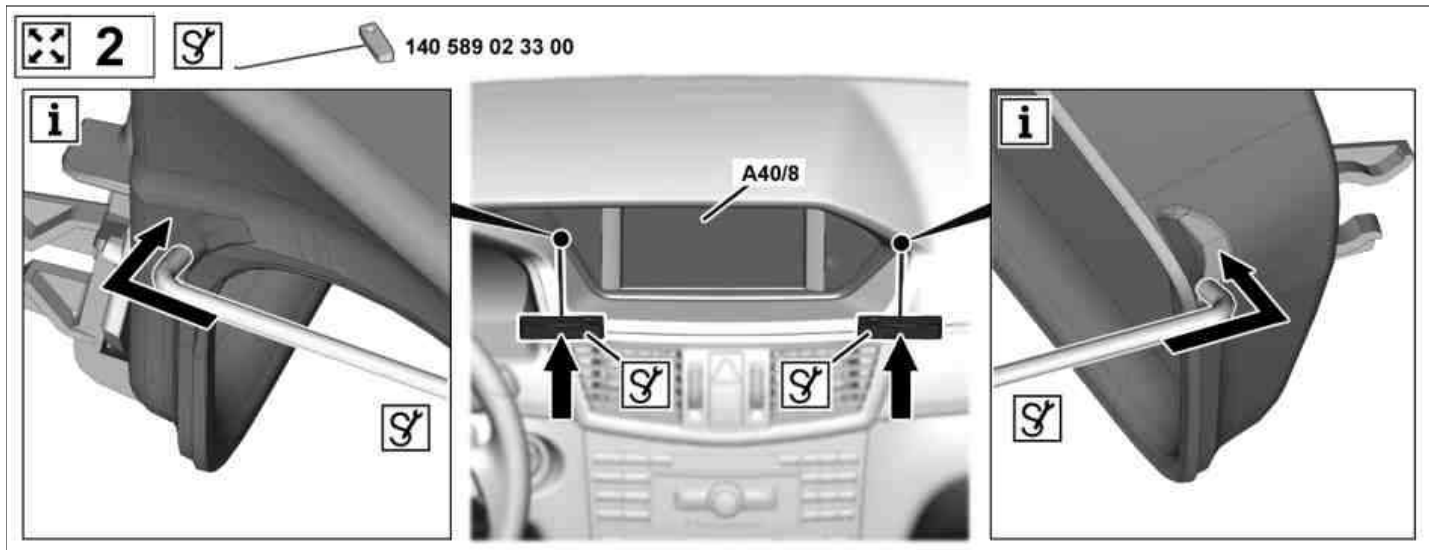
Modification notes

29.3.10	This document was replaced with a document with a greater number of pictures		
---------	--	--	--

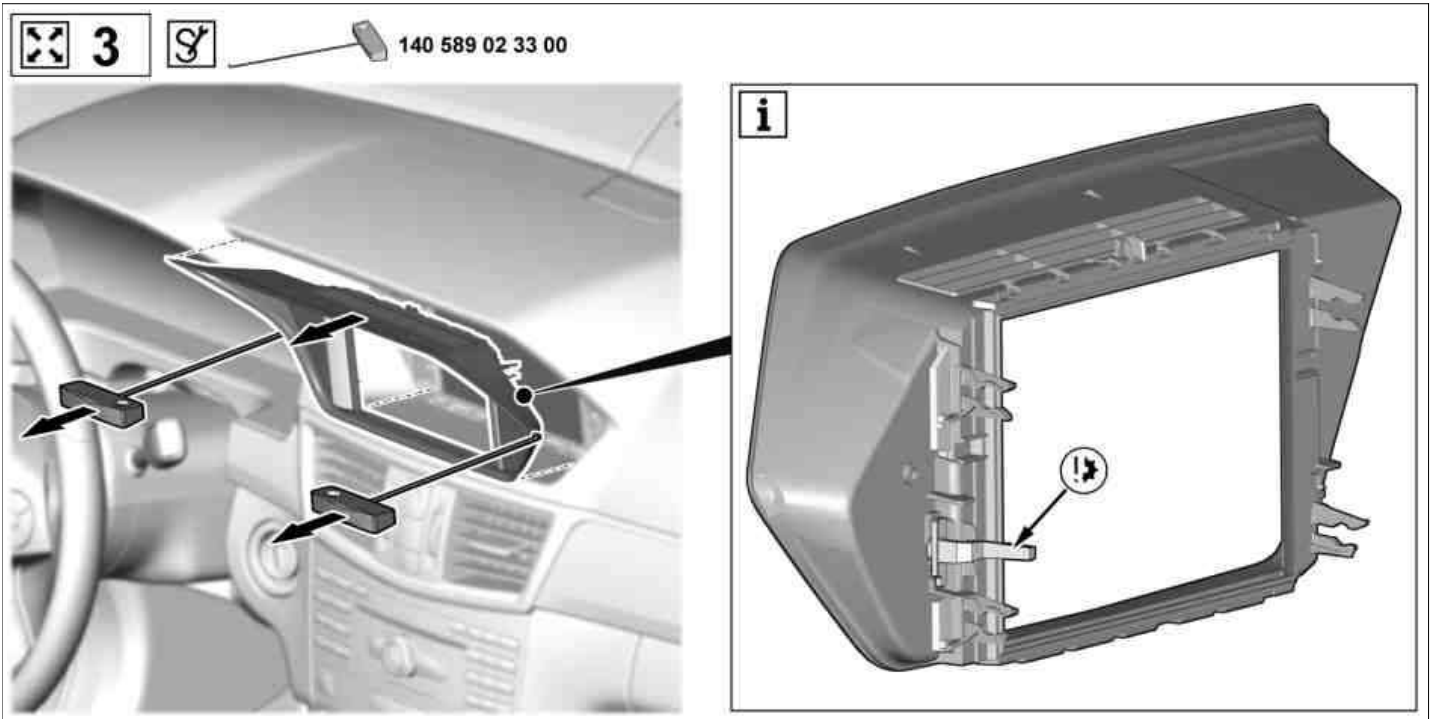
			OV00.01-P-1901-07A
	Information on preventing damage to electronic components due to electrostatic discharge		AH54.00-P-0001-01A
1	Buffer basic data of the Audio/COMAND display (A40/8) in STAR DIAGNOSIS	When replacing the Audio/COMAND display (A40/8).  Installation: Transmit buffered basic data to the new Audio/COMAND display (A40/8).	
	Connect STAR DIAGNOSIS and read out fault memory		AD00.00-P-2000-04A



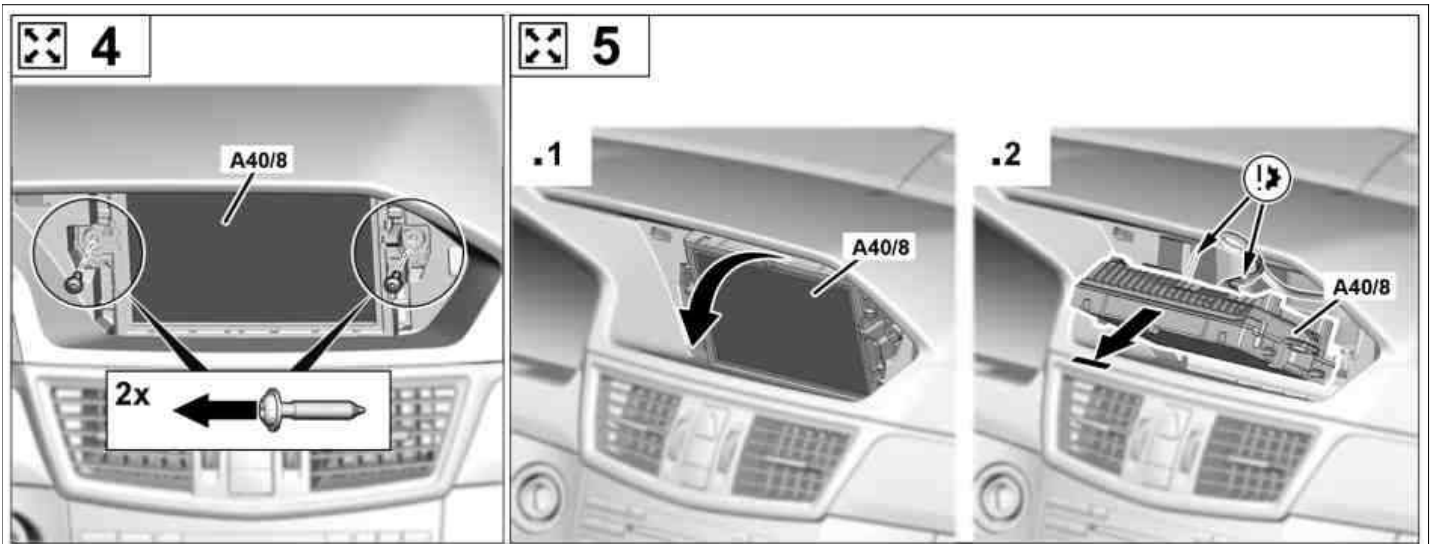
P82.60-8123-07



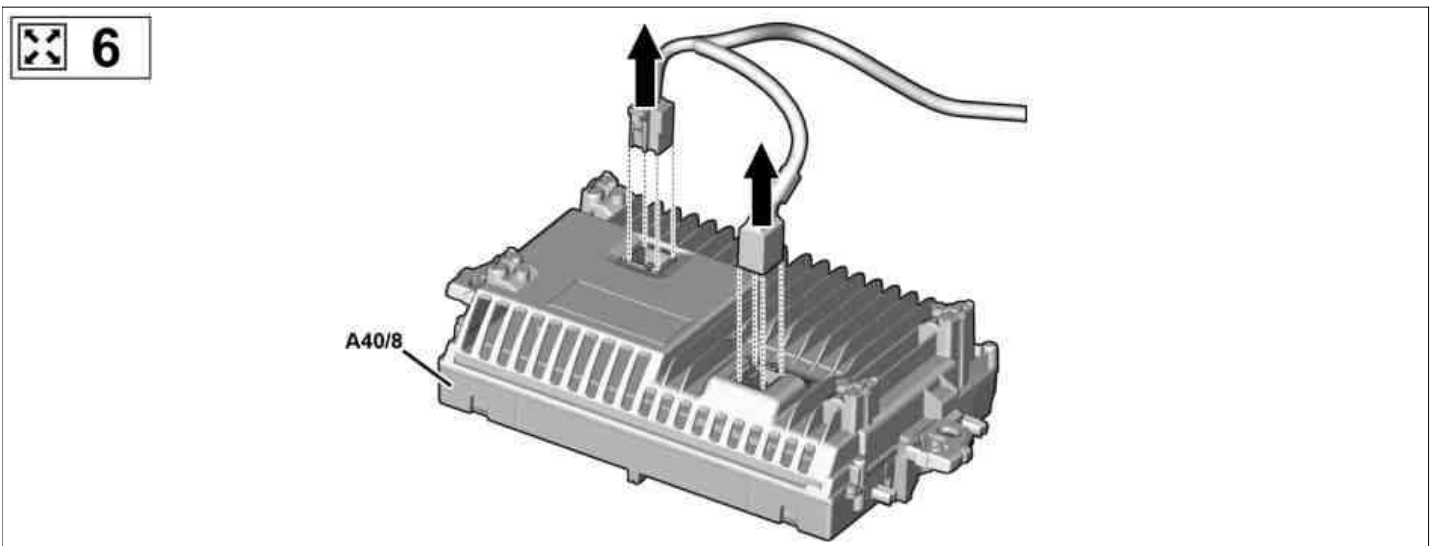
P82.60-8119-08




P82.60-8120-09



P82.60-8121-08



 6 to 1			
--	--	--	--