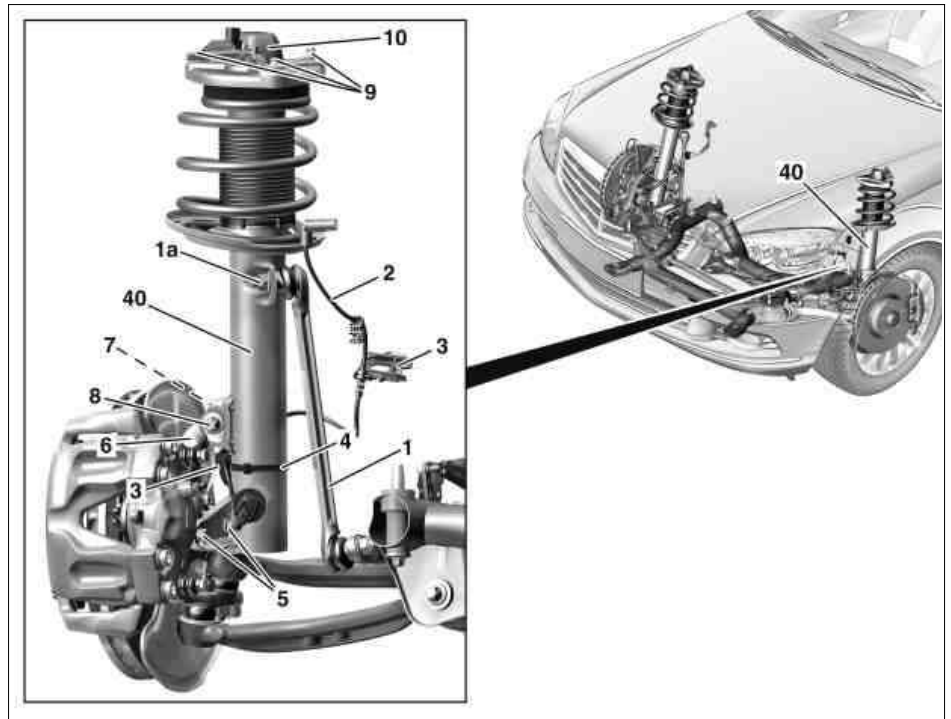


MODEL 172, 204, 207

Shown on model 204.0/2 without 4MATIC

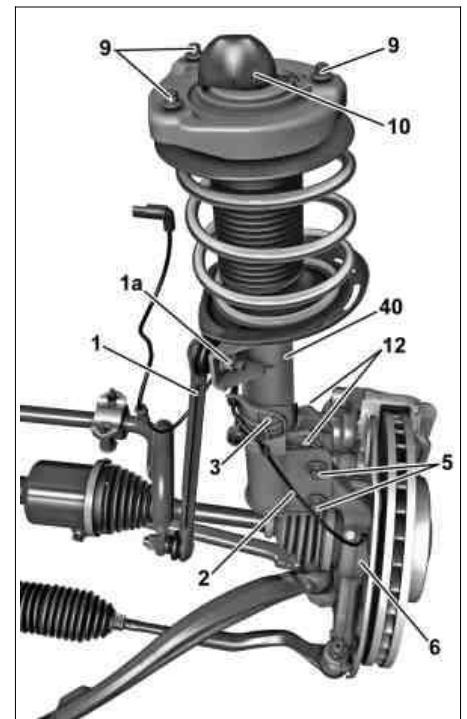
- 1 Link rod
- 1a Nut
- 2 Electrical line
- 3 Line bracket
- 4 Cable tie
- 5 Bolts
- 6 Steering knuckle
- 7 Nut
- 8 Screw
- 9 Bolts
- 10 Cap
- 40 Suspension strut



P32.25-2186-06

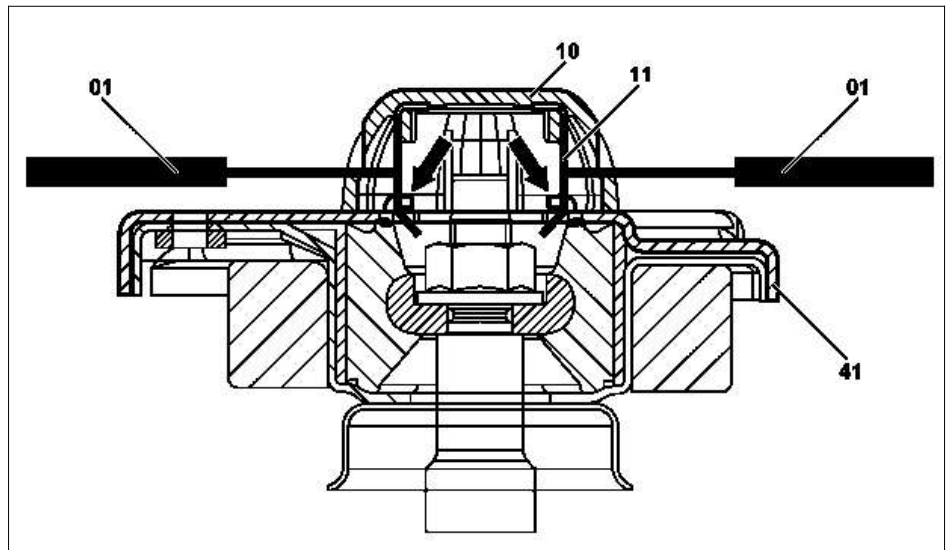
Shown on model 204.98

- 1 Link rod
- 1a Nut
- 2 Electrical line
- 3 Line bracket
- 5 Bolts
- 6 Steering knuckle
- 9 Bolts
- 10 Cap
- 12 Clips
- 40 Suspension strut



P32.25-2230-03

- 01 Drift
- 10 Cap
- 11 Retaining clamp
- 41 Spring cup



P32.25-2225-05

	Remove/install		
	Risk of injury. Moving parts can pinch, crush or, in extreme cases even sever extremities.	No parts of the body or limbs should be within the operating area of the mechanism when the components are moving.	AS00.00-Z-0009-01A
	Risk of death caused by vehicle slipping or toppling off of the lifting platform.	Align vehicle between vehicle lift columns and position the four support plates at the vehicle lift support points specified by the vehicle manufacturer.	AS00.00-Z-0010-01A
	Notes on self-locking nuts and bolts		AH00.00-N-0001-01A
1	Open engine hood and move to vertical position	MODEL 204 (except 204.3) MODEL 172 MODEL 204.3, 207	AR88.40-P-1000V AR88.40-P-1000EW
2	Remove left or right front wheel	MODEL 204, 207 MODEL 172	AP40.10-P-4050CW AP40.10-P-4050V
3	Unscrew nut (1a) and press link rod (1) out of suspension strut (40)	 MODEL 204 MODEL 207 MODEL 172	*BA32.20-P-1002-02P *BA32.20-P-1004-02B
4	Unclip electrical line (2) from line bracket (3)		
5	Remove cable tie (4) on suspension strut (40)	Installation: Observe installation position and replace cable tie (4). Pliers	*164589013700
6.1	Unclip line holder (3) from suspension strut (40) and place to one side	MODEL 207 except 4MATIC MODEL 172, 204.0/2/3	
6.2	Open clip (12) and remove line bracket (3) from suspension strut (40)	MODEL 204.9 MODEL 207 with 4MATIC	
7	Detach electrical connection from suspension strut (40)	MODEL 172, 204, 207 with CODE 483 (ADVANCED AGILITY package)	
8	Remove bolts (5) from steering knuckle (6)	 MODEL 172 MODEL 204.0/2/3, 207 except 4MATIC Model 204, 207 with 4MATIC	*BA32.25-P-1002-01N *BA32.25-P-1002-04M *BA32.25-P-1005-04M
9	Unscrew nut (7) and pull out bolt (8)	Model 172, 204, 207 except 4MATIC TYP 172 MODEL 204, 207 except 4MATIC	*BA32.25-P-1002-01N *BA32.25-P-1001-04M

10	Press suspension strut (40) out of steering knuckle (6)		
11 BT	Remove bolts (9) from suspension strut tower Bolt, suspension strut to suspension strut tower modified	Model 204, 207 MODEL 172	BT32.25-P-0002-01CW *BA32.25-P-1003-04M *BA32.25-P-1003-01N
12 BT	Press retaining clamps (11) of cap (10) together and remove suspension strut (40) Cap for front suspension strut modified	MODEL 204 without CODE P98 (Black Series) Insert two punches (01) through the bores in cap (10) and compress the retaining clamp (11) until the catch hooks (arrows) on the spring cup (41) are unlocked.	BT32.25-P-0001-01CW
	Check		
13	Check suspension strut (40)	The suspension strut (40) should be replaced in the event of damage.	
14	Install in the reverse order		
15	Perform wheel alignment check	MODEL 172, 207 MODEL 204	AR40.20-P-0200EW AR40.20-P-0200CW

Front axle torsion bar

Number	Designation		MODEL 204	MODEL 207
BA32.20-P-1002-02P	Nut, link rod to suspension strut	Nm	98	98

Front axle torsion bar

Number	Designation		MODEL 172
BA32.20-P-1004-02B	Self-locking nut, connecting rod to spring strut	M10 Nm	–
		M10×1.5 Nm	–
		M12×1.5 Nm	100
		M12 Nm	–

Suspension struts

Number	Designation		MODEL 204.00/02/04/05/06/20/22/24/25/30/33/34/35 except CODE 483, MODEL 204.077/277, MODEL 204.377 except CODE P98	MODEL 204.00/02/04/05/06/20/22/24/25/30/33/34/35 with CODE 483
BA32.25-P-1001-04M	Bolt, suspension strut to steering knuckle at top	M14×45 Stage 1 Nm	100	100
		Stage 2 Δ°	90	90

Suspension struts

Number	Designation		MODEL 204.377 with CODE P98	MODEL 207 without CODE 483 (ADVANCED AGILITY package)
BA32.25-P-1001-04M	Bolt, suspension strut to steering knuckle at top	M14×45 Stage 1 Nm	100	100
		Stage 2 Δ°	90	90

Nm Suspension struts

Number	Designation				MODEL 207 with CODE 483 (ADVANCED AGILITY package)
BA32.25-P-1001-04M	Bolt, suspension strut to M14×45 steering knuckle at top	Stage 1	Nm	100	
		Stage 2	Δ°	90	

Nm Suspension struts

Number	Designation				MODEL 172
BA32.25-P-1002-01N	Suspension strut to lower steering knuckle		Nm	110	

Nm Suspension struts

Number	Designation				MODEL 204.00/02/04/05/06/2 0/22/24/25/30/33/34/3 5 except CODE 483, MODEL 204.077/277, MODEL 204.377 except CODE P98	MODEL 204.00/02/04/05/06/2 0/22/24/25/30/33/34/ 35 with CODE 483
BA32.25-P-1002-04M	Bolt, suspension strut to M12×20 steering knuckle at bottom	Stage 1	Nm	70	70	
		Stage 2		lösen	lösen	
		Stage 3	Nm	100	100	

Nm Suspension struts

Number	Designation				MODEL 204.377 with CODE P98	MODEL 207 without CODE 483 (ADVANCED AGILITY package)
BA32.25-P-1002-04M	Bolt, suspension strut to M12×20 steering knuckle at bottom	Stage 1	Nm	70	70	
		Stage 2		lösen	lösen	
		Stage 3	Nm	100	100	

Nm Suspension struts

Number	Designation				MODEL 207 with CODE 483 (ADVANCED AGILITY package)
BA32.25-P-1002-04M	Bolt, suspension strut to M12×20 steering knuckle at bottom	Stage 1	Nm	70	
		Stage 2		lösen	
		Stage 3	Nm	100	

Nm Suspension struts

Number	Designation				MODEL 172
BA32.25-P-1003-01N	Suspension strut to body		Nm	65	

Nm Suspension struts

Number	Designation		MODEL 204.00/02/04/05/06/2 0/22/24/25/30/33/34/3 5 except CODE 483, MODEL 204.077/277, MODEL 204.377 except CODE P98	MODEL 204.00/02/04/05/06/2 0/22/24/25/30/33/34/ 35 with CODE 483
BA32.25-P-1003-04M	Bolt, suspension strut to body	Nm	33	33

Nm Suspension struts

Number	Designation		MODEL 204.377 with CODE P98	MODEL 204.08 / 09/28/29/38/9
BA32.25-P-1003-04M	Bolt, suspension strut to body	Nm	33	33

Nm Suspension struts

Number	Designation		MODEL 207 without CODE 483 (ADVANCED AGILITY package)	MODEL 207 with CODE 483 (ADVANCED AGILITY package)
BA32.25-P-1003-04M	Bolt, suspension strut to body	Nm	33	33

Nm Suspension struts

Number	Designation		MODEL 204.08 / 09/28/29/38/9	MODEL 207 without CODE 483 (ADVANCED AGILITY package)
BA32.25-P-1005-04M	Bolt of suspension strut to M14×70 steering knuckle	Stage 1	Nm	120
		Stage 2	∠°	90

Nm Suspension struts

Number	Designation		MODEL 207 with CODE 483 (ADVANCED AGILITY package)
BA32.25-P-1005-04M	Bolt of suspension strut to M14×70 steering knuckle	Stage 1	Nm
		Stage 2	∠°



Pliers