

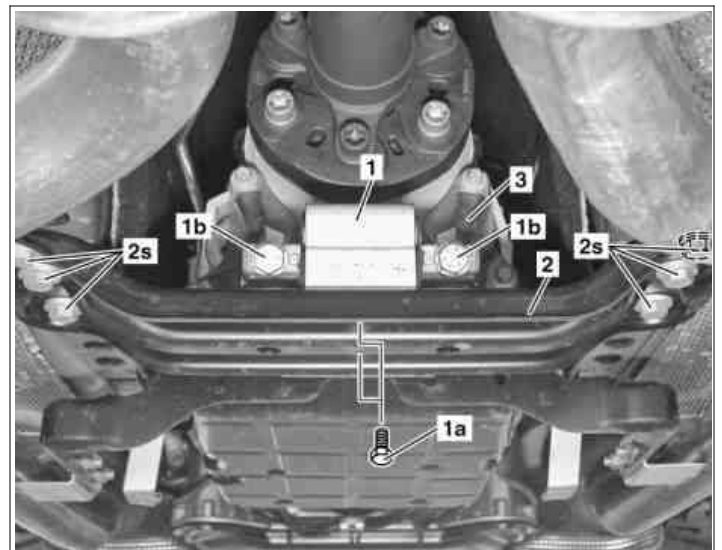
Engine	157, 271, 272, 273, 274, 276, 278, 642 in model 212
Engine	157, 274, 276, 278, 642, 651 in model 218
Engine	271, 272, 273, 274, 276, 278, 642, 651 in model 207
Engine	271, 272, 274, 276, 642, 646, 651 in model 204
Engine	651 in model 212 (except 212.098/298)
Engine	651 in model 221

Modification notes

07.09.2018	Screw/bolt, rear engine support to frame floor assembly	model 204	BA22.10-P-1005-03E
07.09.2018	Screw/bolt, rear engine support to frame floor assembly	MODEL 207	BA22.10-P-1005-03E
07.09.2018	Screw/bolt, rear engine support to frame floor assembly	Model 212	BA22.10-P-1005-03E
07.09.2018	Screw/bolt, rear engine support to frame floor assembly	Model 218	BA22.10-P-1005-03E
07.09.2018	Schraube Motorträger hinten an Rahmenboden	Typ 204	BA22.10-P-1005-03E
07.09.2018	Schraube Motorträger hinten an Rahmenboden	Typ 207	BA22.10-P-1005-03E
07.09.2018	Schraube Motorträger hinten an Rahmenboden	Typ 212	BA22.10-P-1005-03E
07.09.2018	Schraube Motorträger hinten an Rahmenboden	Typ 218	BA22.10-P-1005-03E

Shown on vehicle without 4MATIC

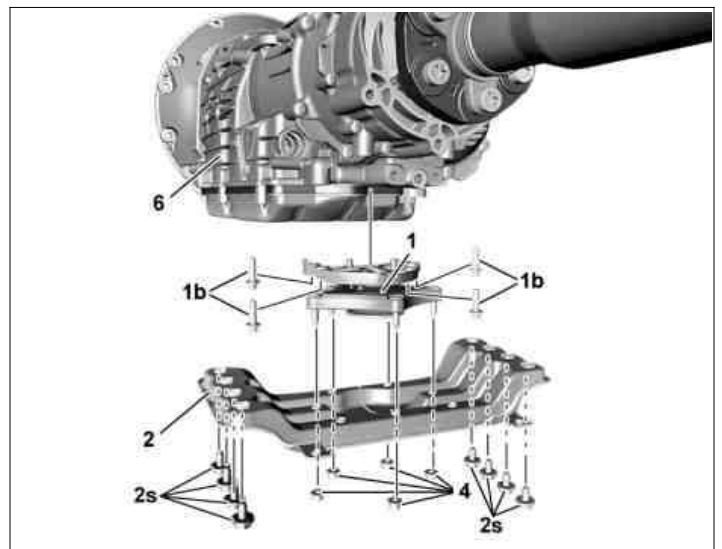
- 1 Rear engine mount
- 1a Screw
- 1b Bolts
- 2 Engine crossmember
- 2s Bolts
- 3 Holder (vehicles without 4MATIC)



P22.10-2164-11

Shown on vehicle with 4MATIC

- 1 Rear engine mount
- 1b Bolts
- 2 Engine crossmember
- 2s Bolts
- 4 Nuts
- 6 Transmission



P22.10-2485-11

5	Remove screw/bolts (1b) and remove rear engine mount (1)	Nm Engine 651 in model 221 Bolt connecting rear engine mount to transmission bracket Nm Engine 157, 271, 272, 273, 274, 276, 278, 642 in model 212 Engine 157, 274, 276, 278, 642, 651 in model 218 Engine 271, 272, 273, 274, 276, 278, 642, 651 in model 207 Engine 271, 272, 274, 276, 642, 646, 651 in model 204 Engine 651 in model 212 (except 212.098/298) Screw/bolt, rear engine mount to bracket or transmission	*BA22.10-P-1004-03D *BA22.10-P-1003-03E
6	Install in the reverse order		

Nm Engine mount, engine support (engine side)

Number	Designation			Model 204	Model 207
BA22.10-P-1003-03E	Screw/bolt, rear engine mount to bracket or transmission	M8	Nm	28	28
		M10	Nm	50	50

Nm Engine mount, engine support (engine side)

Number	Designation			Model 212	Model 218
BA22.10-P-1003-03E	Screw/bolt, rear engine mount to bracket or transmission	M8	Nm	28	28
		M10	Nm	50	50

Nm Engine suspension, engine mounts, engine supports

Number	Designation		Model 221.003/103
BA22.10-P-1004-03D	Bolt connecting rear engine mount to transmission bracket	Nm	50

Nm Engine mount, engine support (engine side)

Number	Designation		Model 204	Model 207
BA22.10-P-1004-03E	Rear engine mount on engine support	Nm	28	28

Nm Engine mount, engine support (engine side)

Number	Designation		Model 212	Model 218
BA22.10-P-1004-03E	Rear engine mount on engine support	Nm	28	28

Nm Engine suspension, engine mounts, engine supports

Number	Designation		Model 221.003/103
BA22.10-P-1005-03D	Bolt, rear engine mount to rear engine crossmember	Nm	28

Nm Engine mount, engine support (engine side)

Number	Designation			Model 204	Model 207
BA22.10-P-1005-03E	Screw/bolt, rear engine support to frame floor assembly	M10x22	Silver	Nm	70
					-

		Black	Nm	55	-
	M10x24	Black	Nm	-	-
	M10x38		Nm	-	-
	M10x20	Stage 1	Nm	30	30
		Stage 2	Nm	50	50

Nm Engine mount, engine support (engine side)

Number	Designation				Model 212	Model 218
BA22.10-P-1005-03E	Screw/bolt, rear engine support to frame floor assembly	M10x22	Silver	Nm	-	-
			Black	Nm	-	-
		M10x24	Black	Nm	-	-
		M10x38		Nm	-	-
		M10x20	Stage 1	Nm	35	35
			Stage 2	Nm	50	50

Nm Engine suspension, engine mounts, engine supports

Number	Designation		Model 221.003/103
BA22.10-P-1007-03D	Bolt, rear engine crossmember to body	Nm	45