

E-Class Sedan



Model Year 2018

Preliminary – Subject to change

Mercedes-Benz
The best or nothing.





Important note

The information presented in this guide is based on the most current information available and is intended for internal use only. Mercedes-Benz reserves the right to make changes at any time, without notice, to colors, materials, equipment, special specifications and models.

Pricing may not yet be finalized for some models or options.

Due to variances among monitors and printers the colors that appear on your screen and printouts may not be exact.

For illustrative purposes, some images may show vehicles with European Specification.

Revision History

<i>Date</i>	<i>Changes</i>
01/27/17	Initial release
01/31/17	Modified Stand-Alone option (Code 445 - Warmth and Comfort Package)
02/09/17	Renaming of Sport Wheel Package (322) to AMG Line Exterior
02/10/17	Updated Center Console availability for E63S
02/15/17	Updated trim availability for E63S
02/21/17	Addition of the AMG E43
02/23/17	Updated Standard Equipment and Options for all AMG Models
03/08/17	Updated ADAS nomenclature
03/08/17	MB-Tex/DINAMICA upholstery (621) as well as AMG Carbon Fiber trim is now available on E43.
03/14/17	Updated Multi-contour Seats with Massage Function (432) requirements for AMG models.
03/16/17	Added AMG Advanced Lighting Package (319) for E63 S
04/03/17	Updated Mercedes-Benz Accessories Program (15A LED Logo Projectors)



E300 & E300 4MATIC



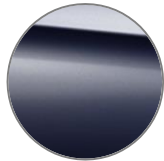
Models



What's new



Standard Equipment



Exterior Paint Colors



Wheels



Interior Upholstery



Interior Trims



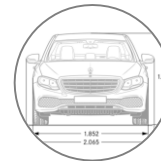
Option Packages



Stand-Alone Options



Options in Detail



Specifications



E 300 (213.048)

- MSRP \$tba
- 2.0L inline-4 turbo engine
- 241 hp
- 273 lb-ft
- Launch date: Summer 2017



E 300 4MATIC (213.049)

- MSRP \$tba
- 2.0L inline-4 turbo engine
- 241 hp
- 273 lb-ft
- Launch date: Summer 2017





Exterior Comparison AMG Line Exterior (322) and Luxury Line (167)





Exterior Comparison AMG Line Exterior (322) and Luxury Line (167)





AMG Line Exterior (322)



AMG Line Exterior (322)

Requires Sport Styling (321)

Option price: \$650

- U29 – Perforated front brake discs & front brake calipers w/ “Mercedes-Benz” lettering
- 51U – Black headliner
- Wheel Choice of:
 - RQR – 18” AMG 5-Spoke Wheels with all-season, run-flat tires
 - RTK – 19” AMG Twin 5-Spoke Wheels with all-season, run-flat tires (+\$500)



19” AMG
5-Spoke Wheels



19” AMG Twin
5-Spoke Wheels





Rear Seat Entertainment and Comfort Adapter (866)



Rear Seat Entertainment and Comfort Adapter (866)

Option price: \$tba

The new code 866 is a slot in the backrest of the front driver and passenger seats with a plug-in adapter. Several rear seat entertainment and comfort accessories work in conjunction with this adapter. Accessories must be purchased separately.

IMPORTANT NOTE:

Please do not confuse the existing equipment "Pre-Installation Rear Seat Entertainment" with this equipment as they have the same code.





Interior

- Natural Grain Black Ash Wood and Natural Grain Brown Ash wood trim w/ matching center console

Standard Equipment

- Rearview camera

Optional Equipment

- New Premium Package content
- Night Package
- Soft-Close doors
- Illuminated door sills with “Mercedes-Benz” lettering
- Rear Seat Entertainment and Comfort Adapter
- 3-Zone climate control
- Active Multicontour Seats w/ massage function



Performance & Handling

- 9G-TRONIC 9-Speed Automatic Transmission
- 2.0L Inline-4 turbo engine (241 hp, 273 lb-ft)
- DYNAMIC SELECT driving programs

Comfort & Convenience

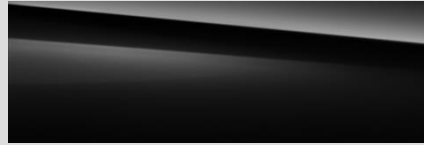
- Ambient Lighting (64 colors)
- Auto-Dimming Driver-Side and Rearview Mirrors
- Bluetooth® Connectivity
- COMAND® Navigation System
- Garage door opener
- KEYLESS-START
- Powered front seats w/ 3-position memory and 4-way lumbar support
- Power Folding Mirrors
- Power Tilt/Sliding Sunroof
- Rearview camera
- Smartphone integration with Apple CarPlay™ & Android Auto
- Split folding rear seats (40/20/40)
- Steering wheel with Touch Control Buttons
- Touchpad w/ central controller
- 12.3" COMAND display
- 5 Years of mbrace® Connect

Safety & Security

- Active Brake Assist
- ATTENTION ASSIST®
- Car-to-X Communication
- Crosswind Assist
- LED headlamps
- PRE-SAFE®
- PRE-SAFE Sound
- Tire pressure monitoring system



Non-metallic Paints



040
Black
Option price: \$0



149
Polar White
Option price: \$0

Metallic Paints



197
Obsidian Black
Option price: \$720



775
Iridium Silver
Option price: \$720



796
Dakota Brown
Option price: \$720



890
Lunar Blue
Option price: \$720



988
Diamond Silver
Option price: \$720



992
Selenite Grey
Option price: \$720



997
Piedmont Green
Option price: \$720

designo[®] Paints



996
Cardinal Red
Option price: \$1,080



799
Diamond White
Option price: \$1,515



297
Selenite Grey Magno
Option price: \$3,950



R31
18" 5-Spoke Wheels
R02, R66
Option price: \$0
Requires Sport Styling (321)

RQR
18" AMG 5-Spoke Wheels
R02, R66
Option price: \$0
Requires AMG Line Exterior (322)

RQQ
18" AMG 5-Spoke Wheels
w/ Black Accents
R02, R66
Option price: \$0
Requires Night Package (521)

RTK
19" AMG Twin 5-Spoke Wheels
R02, R66
Option price: \$500
Requires AMG Line Exterior (322)



R07
17" Twin 5-Spoke Wheels
R02, R66
Option price: \$0
Requires Luxury Line (167)

R54
18" Twin 5-Spoke Wheels
R02, R66
Option price: \$500
Requires Luxury Line (167)

Interior Upholstery – Sport Styling (321)



121
Black
MB-Tex

Option price: \$0
Includes Crystal Grey Headliner (58U)



124
Nut Brown/Black
MB-Tex

Option price: \$0
Includes Black Headliner (51U)



125
Macchiato Beige/Black
MB-Tex

Option price: \$0
Includes Macchiato Beige Headliner (55U)



201
Black
Leather

Option price: \$1,620
Includes Crystal Grey Headliner (58U)



214
Nut Brown/Black
Leather

Option price: \$1,620
Includes Black Headliner (51U)



215
Macchiato Beige/Black
Leather

Option price: \$1,620
Includes Macchiato Beige Headliner (55U)

Interior Upholstery – Luxury Line (167)



131
Black
MB-Tex

Option price: \$0
Includes Crystal Grey Headliner (58U)



144
Nut Brown/Espresso Brown
MB-Tex

Option price: \$0
Includes Macchiato Beige Headliner (55U)



145
Macchiato Beige/Espresso Brown
MB-Tex

Option price: \$0
Includes Macchiato Beige Headliner (55U)



801
Black
Nappa leather

Option price: \$2,990
Includes Crystal Grey Headliner (58U)



814
Nut Brown/Espresso Brown
Nappa leather

Option price: \$2,990
Includes Macchiato Beige Headliner (55U)



815
Macchiato Beige/Espresso Brown
Nappa leather

Option price: \$2,990
Includes Macchiato Beige Headliner (55U)

Interior Upholstery – *designo* Nappa Leather



961+P62 Pkg

designo Black/Titanium Grey Pearl

Option price: \$4,900

Requires Premium 2 (P02) or Premium 3 Package (P03)

Includes Black DINAMICA Headliner (61U)



975+P87 Pkg

designo Macchiato Beige/Saddle Brown

Option price: \$4,900

Requires Premium 2 (P02) or Premium 3 Package (P03)

Includes Macchiato Beige DINAMICA Headliner (65U)



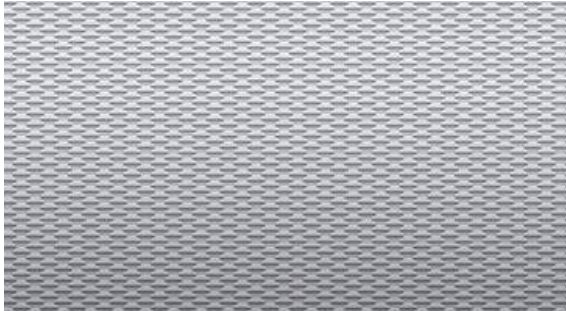


<i>Code</i>	<i>Upholstery</i>	<i>Seats</i>	<i>Floor Mats</i>	<i>Upper Dash/Lower Dash</i>	<i>Seat Belts</i>	<i>Steering Wheel</i>	<i>Headliner</i>
121	Black MB-Tex	Black	Black	Black/Black	Black	Black	Crystal Grey or Black ¹
124	Nut Brown/ Black MB-Tex	Nut Brown	Nut Brown	Black/Nut Brown	Black	Black	Black ²
125	Macchiato Beige/ Black MB-Tex	Macchiato Beige	Black	Black/ Macchiato Beige	Black	Black	Macchiato Beige or Black ¹
201	Black leather	Black	Black	Black/Black	Black	Black	Crystal Grey or Black ¹
214	Nut Brown/ Black leather	Nut Brown	Nut Brown	Black/Nut Brown	Black	Black	Black ²
215	Macchiato Beige/ Black leather	Macchiato Beige	Black	Black/Macchiato Beige	Black	Black	Macchiato Beige or Black ¹
131	Black MB-Tex	Black	Black	Black/Black	Black	Black	Crystal Grey
144	Nut Brown/ Espresso Brown MB-Tex	Nut Brown	Nut Brown	Espresso Brown/ Nut Brown	Nut Brown	Espresso Brown	Macchiato Beige
145	Macchiato Beige/ Espresso Brown MB-Tex	Macchiato Beige	Black	Macchiato Beige/ Nut Brown	Macchiato Beige	Espresso Brown	Macchiato Beige
801	Black Nappa leather	Black	Black	Black/Black	Black	Black	Crystal Grey
814	Nut Brown/ Espresso Brown Nappa leather	Nut Brown	Nut Brown	Espresso Brown/Nut Brown	Nut Brown	Espresso Brown	Macchiato Beige
815	Macchiato Beige/ Espresso Brown Nappa leather	Macchiato Beige	Espresso Brown	Espresso Brown/ Macchiato Beige	Macchiato Beige	Espresso Brown	Macchiato Beige

¹Black Headliner (51U) requires AMG Line Exterior (322)

²Nut Brown/Black Upholstery (124/214) includes Black Headliner (51U)

Interior Trims - Upper Trim



739

Aluminum trim

Special Order Option Charge: \$250

Includes Black Piano Lacquer Center Console (728)



731

Burl Walnut wood trim

Option price: \$0

Includes Black Piano Lacquer Center Console (728)



H06

Brown Ash wood trim

Option price: \$0

Includes Black Piano Lacquer Center Console (728)



H09

Natural Grain Brown Ash wood trim

Option price: \$0

Includes matching Natural Grain Brown Ash Wood trim center console (730)



736

Natural Grain Black Ash wood trim

Option price: \$tba

Includes matching Natural Grain Black Ash wood center console (737)



H16

designo Black Piano Lacquer Flowing lines wood trim

Option price: \$1,300

Includes Black Piano Lacquer Center Console (728)



H26

designo Magnolia Flowing lines wood trim

Option price: \$1,300

Includes Black Piano Lacquer Center Console (728)



Interior Trims - Center Console



728

Center Console in Black Piano Lacquer

Option price: \$0

Included w/ upper trims 739, 731, H06, H16 and H26



730

Center Console in Natural Grain Brown Ash wood

Option price: \$0

Included w/ Natural Grain Brown Ash wood trim (H09)



737

Center Console in Natural Grain Black Ash wood

Option price: \$0

Included w/ Natural Grain Black Ash wood trim (736)

Details on Image might differ from actual center console



<i>Code</i>	<i>Packages</i>	<i>Availability</i>	<i>MSRP</i>
P01	<p>Premium 1 Package <i>Requires Burmester® Surround Sound System (810) (\$850 included in above price) or Burmester® High End 3D Surround Sound System (811) for additional \$4,550</i></p> <ul style="list-style-type: none"> ▪ 234 – Blind Spot Assist ▪ P44 – Parking Package code <ul style="list-style-type: none"> ▪ 235 – Active Parking Assist ▪ 536 – SiriusXM® Radio w/ Free Trial Period ▪ 873 – Heated Front Seats ▪ 897 – Inductive Wireless Charging w/ NFC Pairing ▪ P17 – KEYLESS-GO Comfort Package <ul style="list-style-type: none"> ▪ 871 – Hands-Free-Access ▪ 881 – Electric Trunk Closer ▪ 889 – KEYLESS-GO 	All Models	\$ tba
P02	<p>Premium 2 Package <i>Includes all Premium 1 Package (P01) features plus:</i></p> <ul style="list-style-type: none"> ▪ P35 – Lighting Package code <ul style="list-style-type: none"> ▪ 608 – Adaptive Highbeam Assist ▪ 640 – LED Intelligent Light System ▪ 464 – 12.3” Digital instrument cluster ▪ 540 – Power Rear-Window Sunshade ▪ P21 – Air Balance Package 	All Models	\$ tba
P03	<p>Premium 3 Package <i>Includes all Premium 2 Package (P02) features plus:</i></p> <ul style="list-style-type: none"> ▪ P20 – Driver Assistance Package Plus ▪ P47 – Parking Package code <ul style="list-style-type: none"> ▪ 501 Surround View System ▪ 463 – Head-Up display 	All Models	\$ tba



<i>Code</i>	<i>Packages</i>	<i>Availability</i>	<i>MSRP</i>
167	<p>Luxury Line <i>Not available with Sport Styling (321)</i></p> <ul style="list-style-type: none"> ▪ 485 – Suspension with selective damping ▪ U09 – Topstitched MB-Tex upper dashboard and door trim ▪ Luxury radiator grille w/ Mercedes-Benz Star on Hood ▪ Galvanized shift paddles ▪ Wheel Choice of: <ul style="list-style-type: none"> ▪ R07 – 17” Twin 5-Spoke Wheels with all-season, run-flat tires ▪ R54 – 18” Twin 5-Spoke Wheels with all-season, run-flat tires (+\$500) 	All Models	\$ 0
321	<p>Sport Styling <i>Not available with Luxury Line (167)</i></p> <ul style="list-style-type: none"> ▪ 677 – Lowered suspension with selective damping ▪ 772 – AMG Body Styling ▪ Mercedes-Benz Star in radiator grille ▪ Wheel: <ul style="list-style-type: none"> ▪ R31 – 18” 5-Spoke Wheels with all-season, run-flat tires 	All Models	\$ 0
322	<p>AMG Line Exterior <i>Requires Sport Styling (321)</i></p> <ul style="list-style-type: none"> ▪ U29 – Perforated front brake discs & front brake calipers w/ “Mercedes-Benz” lettering ▪ 51U – Black headliner ▪ Wheel Choice of: <ul style="list-style-type: none"> ▪ RQR – 18” AMG 5-Spoke Wheels with all-season, run-flat tires ▪ RTK – 19” AMG Twin 5-Spoke Wheels with all-season, run-flat tires (+\$500) 	All Models	\$ 650
521	<p>Night Package <i>Requires AMG Line Exterior (322)</i></p> <ul style="list-style-type: none"> ▪ P55 – Night Package code ▪ Gloss black elements: Front wing, lamellas, rear diffuser insert, exterior mirror covers, beltline, strip & window strip cover Wheel Choice of: <ul style="list-style-type: none"> ▪ RQQ – 18” AMG 5-Spoke Wheels w/ Black Accents 	All Models	\$ 300



<i>Code</i>	<i>Packages</i>	<i>Availability</i>	<i>MSRP</i>
P62	<p>designo Titanium Grey Pearl/Black Nappa Leather <i>Requires Premium 2 Package (P02) or Premium 3 Package (P03)</i> <i>Available with all trim choices</i></p> <ul style="list-style-type: none"> ▪ 961 – <i>designo</i> Titanium Grey Pearl/Black Nappa leather seats in diamond quilt design, with black topstitching, and <i>designo</i> badge on backrests of front seats ▪ U04 – <i>designo</i> floor mats ▪ 61U – <i>designo</i> Black DINAMICA headliner ▪ U38 – Upper dashboard and doors in <i>designo</i> Titanium Grey Pearl Nappa leather with black topstitching ▪ Door and center console armrests in <i>designo</i> Black Nappa Leather 	All Models	\$ 4,900
P87	<p>designo Macchiato Beige/Saddle Brown Nappa Leather <i>Requires Premium 2 Package (P02) or Premium 3 Package (P03)</i> <i>Available with all trim choices</i></p> <ul style="list-style-type: none"> ▪ 975 – <i>designo</i> Macchiato Beige / Saddle Brown Nappa leather seats in diamond quilt design, with beige topstitching, and <i>designo</i> badge on backrests of front seats ▪ U04 – <i>designo</i> floor mats ▪ 65U – <i>designo</i> Macchiato Beige DINAMICA headliner ▪ U38 – Upper dashboard and doors in <i>designo</i> Saddle Brown Nappa leather with silk beige topstitching ▪ Door and center console armrests in <i>designo</i> Macchiato Beige Nappa leather 	All Models	\$ 4,900
445	<p>Warmth and Comfort Package <i>Not available with heated front seats (873)</i></p> <ul style="list-style-type: none"> ▪ P68 – Warmth and Comfort Package code ▪ 906 – Heated Front Armrests ▪ 902 – Rapid Heating Functionality for Front Seats ▪ 443 – Heated Steering Wheel ▪ 431 – Galvanized Shift Paddles 	All Models	\$ 600

Stand-Alone Options



<i>Code</i>	<i>Options</i>	<i>Availability</i>	<i>MSRP</i>
PAF	Acoustic Comfort Package <i>Increased Cabin Insulation, Windshield and Side Windows with Acoustic and Heat Absorbing Membrane</i> ▪ 596 – Infrared Glass	All Models	\$ 1,100
L3D	Wood/leather steering wheel <i>Requires burl walnut wood trim (731)</i> <i>Not available with 445 Package or heated steering wheel (443)</i>	All Models	\$ 590
U25	Illuminated door sills with “Mercedes-Benz” lettering	All Models	\$ tba
U80	115V AC Power Outlet	All Models	\$ 115
234	Blind Spot Assist <i>Not available with P01, P02 or P03 Premium Packages</i>	All Models	\$ 550
401	Heated and Ventilated Front Seats <i>Requires leather (2xx)/Nappa leather (8xx) upholstery</i> <i>Not available with heated front seats (873)</i>	All Models	\$ 450
413	Panorama Roof	All Models	\$ 1,090
432	Active Multicontour Front Seats w/ Massage Feature <i>Not available with heated front seats (873)</i> ▪ 902 – Rapid Heating Functionality for Front Seats ▪ 436 – Luxury Front Headrests	All Models	\$ tba
443	Heated Steering Wheel	All Models	\$ 250
489	AIR BODY CONTROL air suspension	All Models	\$ 1,900
536	SiriusXM® Radio w/ Free Trial Period <i>Not available with P01, P02 or P03 Premium Packages</i>	All Models	\$ 460
581	3-Zone climate control	All Models	\$ tba
608	Adaptive Highbeam Assist <i>Not available with P02 or P03 Package</i>	All Models	\$ 250
873	Heated Front Seats <i>Not available with 401, 432 or 445 Package</i>	All Models	\$ 750



Stand-Alone Options



<i>Code</i>	<i>Options</i>	<i>Availability</i>	<i>MSRP</i>
293	Rear side air bags	All Models	\$ tba
883	Soft-close doors	All Models	\$ tba
866	Rear Seat Entertainment and Comfort Adapter	All Models	\$ tba
<i>Code</i>	<i>Special Order Options (additional charge of \$250)</i>	<i>Availability</i>	<i>MSRP</i>
RQJ	18" AMG 5-Spoke Wheels <i>Requires AMG Line Exterior (322)</i>	All Models	\$ 0
313	Rear Door Roller Blinds <i>Includes Code P09 Sun Protection Package code</i> <i>Requires P02 or P03 Premium Package</i>	All Models	\$ 380
872	Heated Rear Seats <i>Requires one of the following heated front seat options: 873, P01, P02, P03, 432, 445 or 401 and leather or Nappa leather upholstery</i>	All Models	\$ 620
<i>Code</i>	<i>Mercedes-Benz Accessories Program</i>	<i>Availability</i>	<i>MSRP</i>
00A	Illuminated Star <i>Not available with Premium Package (P03) or Luxury Line (167)</i>	All Models	\$ tba
068	Wheel Locks	All Models	\$ tba
070	Chrome Door Handle Inserts (Set of 4)	All Models	\$ tba
11A	Black Mirror Housing	All Models	\$ tba
104	Rear Spoiler	All Models	\$ tba
129	Accessory Styling Package (rear & roof spoilers) <i>Not available with Rear Spoiler (104)</i>	All Models	\$ tba
137	Comfort Box	All Models	\$ tba



Headlamps



LED headlamps (632)

Standard

- All functions feature LED technology
- Excellent illumination of the road
- Distinctive look during day and night
- Integrated LED daytime running lamps
- Projector LED low-beam and reflective LED high-beam technology
- LED taillamps (w/stardust effect)
- Low energy consumption
- Much longer bulb life



LED Intelligent Light System (640)

Optional

Included in Premium 2 Package (P02)

All functions of the standard LED headlamps plus:

- Automatic high-beam control by Adaptive Highbeam Assist
- Automatically activated cornering lights
- Active light function for significantly better illumination in bends
- Pairs w/ standard LED taillamps





Steering Wheels



3-Spoke multifunction steering wheel (L3C)

Standard

- The all new 3-spoke steering wheel in Nappa leather comes with unique Touch Control Buttons in the control panels on the left and right.
- The steering wheel is embossed in the center grip area.
- Galvanized shift paddles, available only with Luxury Line (167)



Wood/leather steering wheel (L3D)

Optional

Requires Burl Walnut wood trim (731)

Not available with heated steering wheel (443)

- The combination of high-quality leather in the grip area and fine wood inserts at the top and bottom make this steering wheel a visual and tactical highlight.
- Galvanized shift paddles



Heated Steering Wheel (443)

Optional

Not available with wood/leather steering wheel (L3D)

- On cold days, heating of the steering wheel rim very rapidly ensures cozy temperatures of the grip area and thus also warm hands.
- The switch for turning the heating on and off is positioned on the steering column.
- Galvanized shift paddles

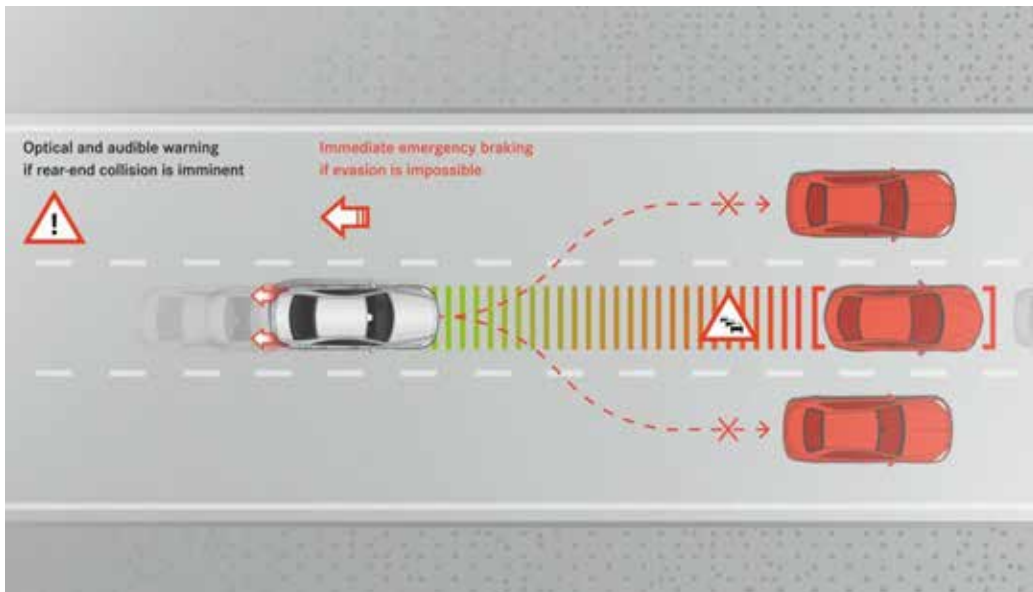
Active Brake Assist



Active Brake Assist

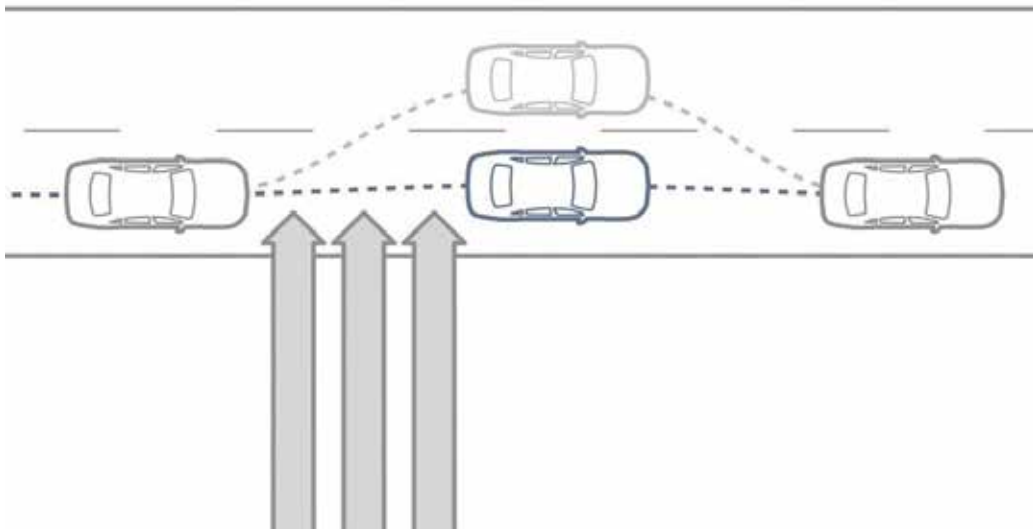
Standard on all models

- Radar-based driving assistance system that can help prevent accidents with vehicles ahead and with crossing pedestrians or mitigate the consequences of accidents
- Combination of proximity warning, collision warning, on-demand braking assistance and autonomous braking function
- Additional audible warning if the distance diminishes rapidly
- If the driver initiates emergency braking – if necessary – increase in braking pressure by the on-demand braking assistance
- Initiation of autonomous braking if the driver fails to react
- Visual and audible warning plus almost simultaneous emergency braking if an impending collision with a **crossing pedestrian** is detected





Crosswind Assist



Crosswind Assist

Standard on all models

- Traditionally, strong gusts of wind may lead to sudden lateral drift of the vehicle
- Crosswind Assist aids the driver by reducing the vehicle's lateral drift substantially in windy driving conditions
- Crosswind Assist is integrated into the ESP® sensor system and enables the timely detection of gusts of crosswind
- Automatic brake intervention on the wheels on the side of the vehicle facing the wind results in a motion which counteracts the crosswind
- Crosswind Assist substantially enhances the driver's sense of control, stability and safety





AIR BODY CONTROL (489)



AIR BODY CONTROL air suspension (489)

Option Price: \$1,900

- Multi-chamber air suspension combined with continuously adjustable damping to improve ride comfort and driving dynamics
- Vehicle characteristics can be varied from comfortable through to sporty using DYNAMIC SELECT switch
- "Comfort" and "Sport" settings for a more comfortable or stiffer, sportier setup
- Constant vehicle level irrespective of load thanks to pneumatic all-round self-levelling suspension
- Suspension level can be raised for poor surfaces and is automatically lowered at high speeds, helping to reduce aerodynamic drag and further improve handling stability
- Selective luggage compartment lowering not applicable on E300/E300 4M



Burmester® Surround Sound System (810)



Burmester® Surround Sound System (810)

Included in Premium 1 Package (P01)

- 13 high-performance speakers precisely configured for the vehicle interior to ensure well-balanced and very dynamic music reproduction
- 9-channel DSP amplifier with a total output of 590 watts (7 x 50 W and 2 x 120 W) for maximum sound quality with very high volume reserves
- Frontbass® technology with woofers integrated into the dash for vibrant bass reproduction
- Combination of digital and analogue filter elements for the unique Burmester® "feel-good sound"
- Sound optimization for the front and rear seats
- Noise compensation (VNC)
- Sound preset: surround function to generate virtual all-round sound
- Support for popular multi-channel formats such as Dolby Digital 5.1/DTS for example, for true surround sound



Mercedes-Benz Intelligent Drive – Overview

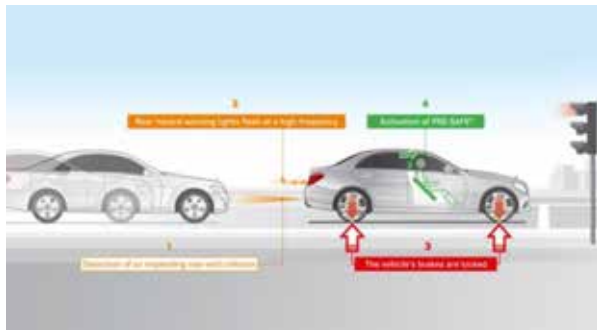


Mercedes-Benz Intelligent Drive – Overview

Included in Premium 3 Package (P03)

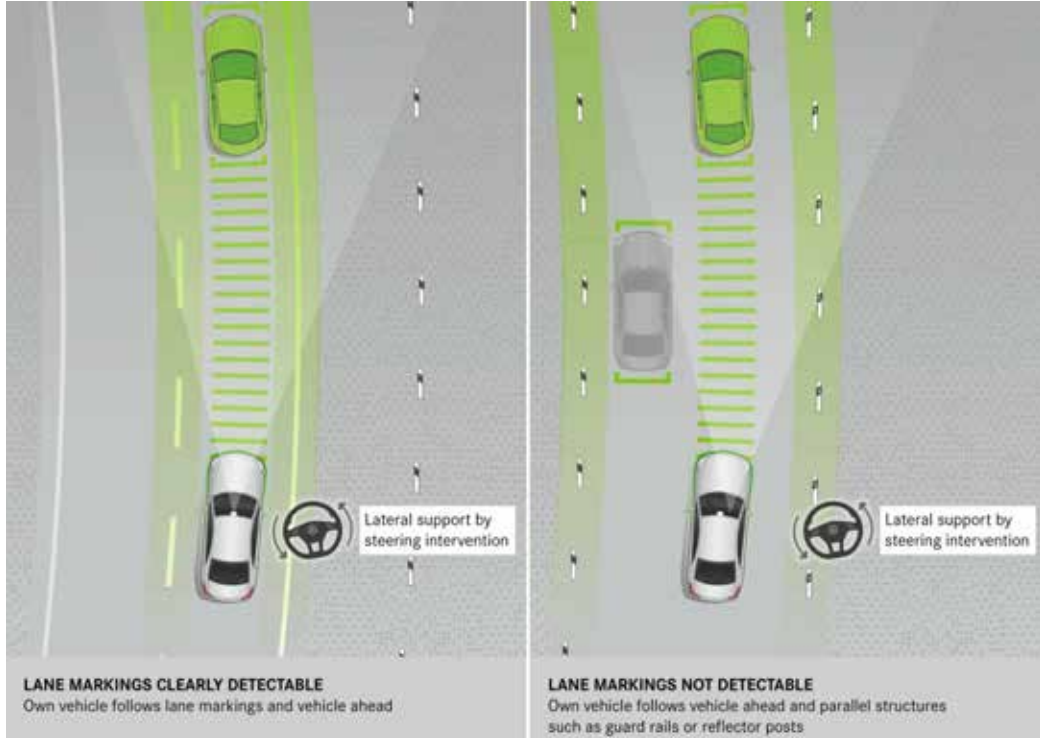
“Mercedes-Benz Intelligent Drive” is a gateway to a more autonomous & accident-free driving which increases safety for all drivers on the road. The following lists all features that are available with the all new E-Class:

- Active Distance Assist DISTRONIC®, Active Steering Assist, Active Lane Change Assist, Active Emergency Stop Assist, and Active Speed Limit Assist
- **Active Brake Assist with Cross-Traffic Function**
- **Evasive Steering Assist**
- PRE-SAFE® PLUS
- **PRE-SAFE® Impulse Side**
- Active Lane Keeping Assist
- Active Blind Spot Assist





Mercedes-Benz Intelligent Drive



Mercedes-Benz Intelligent Drive

Included in Premium 3 Package (P03)

- Active Steering Assist generates steering torque which helps the driver to keep the vehicle in the center of its lane (straight roads and slight bends), taking its guidance from vehicles ahead and road lane markings
- Active Lane Change Assist helps the driver with changing lanes by means of steering torque when the driver initiates the change by activating the turn indicator and the system does not detect another vehicle in the adjacent lane
- Extended tolerance for the hands-off warning of Active Steering Assist with intelligent hands-on detection
- Active Emergency Stop Assist brakes the vehicle to a controlled stop if the system detects that the driver is permanently distracted or is no longer able to operate the vehicle
- Active Distance Assist DISTRONIC® maintains the selected distance from the vehicle in front, and works in the speed range from 0 – 130 mph, also reacting to stationary vehicles at low speeds





Mercedes-Benz Intelligent Drive – Active Brake Assist with Cross-Traffic Function



Mercedes-Benz Intelligent Drive – Active Brake Assist with Cross-Traffic Function

Included in Premium 3 Package (P03)

- The system is able to reduce the risk of collisions and accidents at road junctions
- Monitoring of traffic situation ahead of the vehicle by means of radar sensors and stereo multipurpose cameras
- Vehicles travelling ahead are detected up to a speed of 130 mph
- Crossing traffic and bicyclists are registered up to a speed of 45 mph, as well as pedestrians who are stationary or moving slowly in the path of the vehicle
- When danger of a collision is detected, the system gives a visual and audible warning and brakes
- If the driver firmly applies the brakes, the system calculates the brake pressure that would be needed to prevent a collision
- If a collision cannot be prevented, the impact speed is reduced as much as possible by emergency braking



Mercedes-Benz Intelligent Drive – Evasive Steering Assist



Mercedes-Benz Intelligent Drive – Evasive Steering Assist

Included in Premium 3 Package (P03)

- When the driver deliberately or instinctively performs an evasive maneuver in a dangerous situation (pedestrian crossing the street), Evasive Steering Assist provides assistance by adding precisely calculated steering torque to support the movement of the steering wheel
- This helps the driver to avoid a pedestrian in a controlled manner while subsequently facilitating the movement of the vehicle to allow the situation be negotiated safely





Mercedes-Benz Intelligent Drive - PRE-SAFE Impulse Side



Mercedes-Benz Intelligent Drive - PRE-SAFE® Impulse Side

Included in Premium 3 Package (P03)

- PRE-SAFE® Impulse Side initiates preventative protective measures against an impending side impact, supplementing the measures taken by PRE-SAFE® and PRE-SAFE® PLUS
- In the event of a side impact, PRE-SAFE® Impulse Side can have a positive effect by increasing the distance between the occupant and the door, and at the same time reducing the relative speeds between the side structure and the occupant's torso
- In the event of a recognized, unavoidable side collision, the system can give the driver or front passenger a slight push towards the center of the vehicle on the side facing the impact
- This lateral impulse is initiated by very rapid inflation of an air chamber in the seat bolster





Natural Grain Black Ash wood trim (736) & Natural Grain Brown Ash wood (H09) w/ matching center console



Natural Grain Black Ash wood center console



Natural Grain Brown Ash wood center console

Details on Image might differ from actual center console



designo Black/Titanium Grey Pearl (P62)





designo Macchiato Beige/Saddle Brown (P87)





Panorama roof (413)



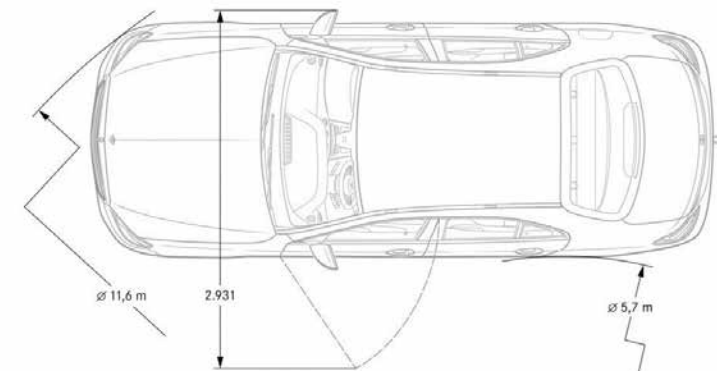
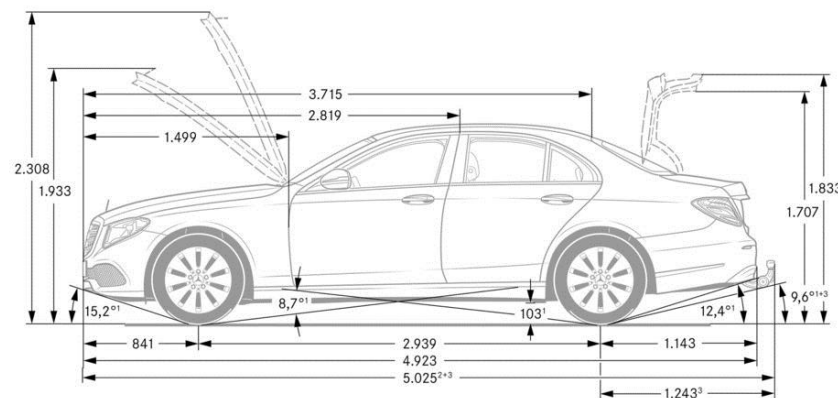
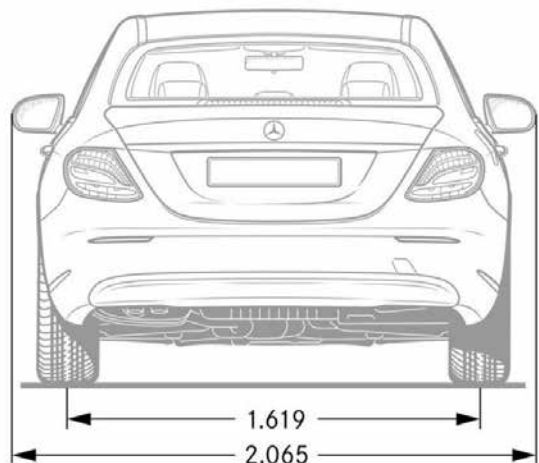
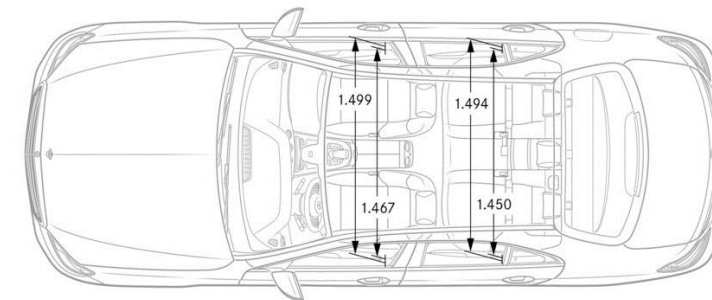
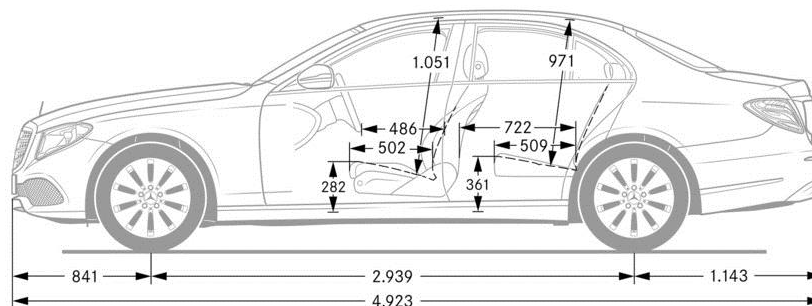
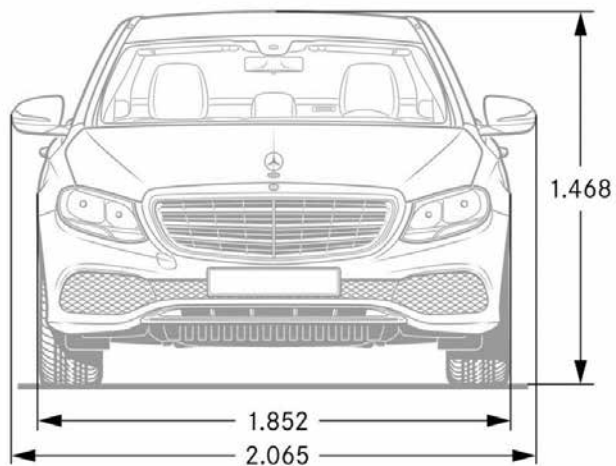
Panorama roof (413)
Option Price: \$1,090





	<i>E 300</i>	<i>E 300 4MATIC</i>
Engine Configuration	2.0L inline-4 turbo engine	2.0L inline-4 turbo engine
Power (hp)	241	241
Torque (lb-ft)	273	273
Displacement (cc)	1,991	1,991
Acceleration 0-60 mph (sec)	6.2	6.3
Fuel Economy (Cty/Hwy/Comb)	tba	tba
Top Speed (mph)	130	130
Fuel Requirement (Octane)	91	91
# Valves per cylinder	4	4
Compression	9.8:1	9.8:1
Transmission	9G-TRONIC 9-Speed Automatic Transmission	9G-TRONIC 9-Speed Automatic Transmission
Transmission Speeds	9	9
Drive Configuration	Rear-wheel drive	All-wheel drive
Fuel Tank Size (gallons)	17.4	17.4
Trunk Size (cubic feet)	13.1	13.1
Curb Weight (lbs)	3,792	3,891
Vehicle Length (in.)	193.8	193.8
Vehicle Width w/ exterior mirrors (in.)	81.3	81.3
Vehicle Height (in.)	58.4 (Luxury Line)/57.8	58.4 (Luxury Line)/57.8
Wheelbase (in.)	115.7	115.7
Track Width Front/Rear (in.)	tba	tba

Specifications* – E 300/4MATIC (Luxury Line)



AMG E-Class Sedan



Model Year 2018

Preliminary – Subject to change

AMG
DRIVING PERFORMANCE

E43 & E63S



Models



What's new



Standard Equipment



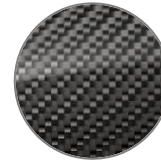
Exterior Paint Colors



Wheels



Interior Upholstery



Interior Trims



Option Packages



Stand-Alone Options



Options in Detail



Specifications



AMG E43 (213.064)

- MSRP \$tba
- AMG-enhanced 3.0L V6 biturbo engine
- 396 hp
- 384lb-ft
- 4.5 sec (0-60 mph)
- Launch date: Summer/2017



AMG E63 S (213.089)

- MSRP \$tba
- Handcrafted AMG 4.0L V8 biturbo engine
- 603 hp
- 627 lb-ft
- 3.3 sec (0-60 mph)
- Launch date: Summer/2017

Standard Equipment

- AMG-enhanced 9G-TRONIC transmission w/ shift paddles (*E 43 only*)
- AMG SPEEDSHIFT® MCT 9-speed transmission (*E 63 S only*)
- AMG Performance 4MATIC (*E 43 only*)
- AMG Performance 4MATIC+ (*E 63 S only*)
- AMG DYNAMIC SELECT
- Blind Spot Assist
- KEYLESS-GO
- Power tilt/sliding sunroof
- Burmester® Surround Sound System
- 19" AMG wheels (*E 43 only*)
- 20" AMG wheels (*E 63 S only*)
- Static LED Headlamps
- AMG Dynamic Engine Mounts (*E 63 S only*)

Optional Equipment

- Soft-close doors
- 3-zone climate control
- AMG Nut Brown Nappa leather
- AMG Macchiato Beige Nappa leather
- *designo* Magnolia w/ Flowing Lines wood
- *designo* Black Piano Lacquer Flowing Lines wood
- Metal Weave trim
- Intelligent Drive systems
- Warmth & Comfort Package
- Acoustic Comfort Package
- Edition 1 Package (*E 63 S Only - Non-Orderable*)

Paints

- Selenite Grey metallic
- *designo* Selenite Grey Magno
- Piedmont Green metallic

Exterior - 2016 E 63 S (W212) vs. 2018 E 63 S (W213)



Interior - 2016 E 63 S (W212) vs. 2018 E 63 S (W213)



Performance - 2016 E 63 S (W212) vs. 2018 E 63 S (W213)

	<i>2016 E 63 S</i>	<i>2018 E 63 S</i>
Engine Configuration	Handcrafted AMG 5.5L V8 Biturbo engine	Handcrafted AMG 4.0L V8 Biturbo engine
Power (hp)	577	603
Torque (lb-ft)	590	627
Displacement (cc)	5,461	3,982
Acceleration 0-60 mph (sec)	3.5	3.3
Top Speed (mph)	186 (electronically limited)	186 (electronically limited)
# Valves per cylinder	4	4
Compression	10.50 : 1	8.6:1
Transmission	AMG SPEEDSHIFT MCT	AMG SPEEDSHIFT MCT
Transmission Speeds	7	9
Drive Configuration	AMG Performance 4MATIC all-wheel drive with 33:67 fixed torque split	AMG Performance 4MATIC+ all-wheel drive with fully variable torque distribution

Handcrafted AMG 4.0L V8 biturbo engine (M177 E40DEH LA AMG)



Handcrafted AMG 4.0L V8 Biturbo engine (M177 E40DEH LA AMG)

Standard (E63S only)

- **Aluminum crankcase** featuring a racing inspired closed-deck design
 - The area around the cylinders' coolant enclosure is closed off at the top and is only perforated by cooling channels
 - This makes the engine block more rigid and able to withstand greater loads
- **Forged, lightweight aluminum pistons** – high performance and low weight
- **Two Twin-scroll turbochargers** with separate exhaust channels
 - Positioned between the cylinder heads for faster response
 - Inspired by Formula 1
 - Keeps engine compact, improves turbo response and lowers emissions
 - Separate exhaust channels prevent turbos from having a negative impact on each other during load/directional changes, and enables faster spooling/buildup of turbo pressure
- **Dynamic Engine Mounts** – Adjust to DYNAMIC SELECT mode and driving conditions
 - “Soft Mounts” for Comfort – Reduces engine noise and vibration
 - “Hard Mounts” for Sport – Increases steering precision
- **Variably Adjustable Inlet and Outlet Valves**
 - Filled with sodium
 - Light weight

AMG Performance 4MATIC+



AMG Performance 4MATIC+

Standard (E 63 S only)

The performance-oriented all-wheel drive with fully variable torque distribution combines optimal traction, hallmark AMG driving dynamics, and the ultimate in driving enjoyment. It enhances driving safety and adhesion on wet or wintry road surfaces while at the same time allowing an emotional drifting experience. This is made possible by the fully variable torque distribution, offering the driver the benefits of all-wheel drive and rear-wheel drive in equal proportions.

An electronically controlled clutch provides for variable connection of the permanently-driven rear axle with the front axle. The ideal torque distribution is calculated continuously, according to the given driving situation and the driver's wishes. This enables a seamless transition from traction-oriented all-wheel drive to 100% rear-wheel drive. In addition to traction and transverse dynamics, the all-wheel drive also improves the longitudinal dynamics of the vehicle for even more dynamic acceleration.

- Combines the advantages of an all-wheel drive with those of a rear-wheel drive: optimum traction, hallmark AMG vehicle dynamics, and maximum driving pleasure
- Drift capability, as fully variable torque distribution means that 100% rear-wheel drive is possible
- Improved handling safety and road holding on wet or wintry road surfaces
- Improved longitudinal dynamics for even more aggressive acceleration
- The compact, lightweight design avoids any loss of space in the interior

AMG Sport Suspension based on AIR BODY CONTROL



AMG Sport Suspension based on AIR BODY CONTROL

Standard on all models

Features of the AMG Sport Suspension based on AIR BODY CONTROL with continuously adjustable damping:

- Air suspension struts at the front and rear axle
- Dampers with separate valves for adjusting the compression and rebound phases
- Sensors for damping and level control
- Camber stability increased by 30% vs. previous W212 E63
- It is possible to lower the vehicle level by 4 cm to make it easier to load the luggage compartment (activation by a switch in the side panel in the boot)
- Vehicle characteristics can be varied from comfortable through to sporty using the DYNAMIC SELECT switch
 - Constant vehicle level irrespective of load, thanks to pneumatic all-round self-levelling suspension
 - Suspension level can be raised for poor surfaces and is automatically lowered at high speeds
- Four-link front axle design
 - Uses forged aluminum components with wishbones, strut rod and spring link.
- Multi-link rear axle design
 - Increased stiffness and wheel control
 - New design allows for wider rear track than previous W212 AMG
 - A tubular anti-roll bar (similar to what's found in the AMG GT R) reduces weight of rear axle

AMG SPEEDSHIFT MCT 9-Speed Transmission



AMG SPEEDSHIFT MCT 9-Speed Transmission

Standard (E 63 S only)

MCT stands for Multi-Clutch Transmission, whereby an innovative wet start-off clutch running in an oil bath replaces the conventional torque converter. Thanks to its low rotational inertia, the transmission responds instantaneously without the losses typical of a torque converter. This helps to reduce fuel consumption. A further merit of the MCT transmission is its low weight thanks to its magnesium housing.

Added driving pleasure, added safety – the double-clutching function

Ultra-fast, responsive, multiple downshifts are another forte of the AMG SPEEDSHIFT® MCT 9-speed transmission. The driver can change via kick down directly from 9th into 6th or from 5th into 2nd gear, for example. The automatic double-clutching function is active in drive programs "S", "S+", "RACE", and "M". Each manual or automatic downshift is accompanied by a precisely metered blip on the throttle – with rising intensity from "S" through to "RACE" and "M". This not only heightens the emotional appeal: downshifting minimizes the load cycles, which has a particularly positive effect when braking into corners and makes for improved handling safety on wet and slippery surfaces.

For a perfect start – the RACE START function

The RACE START function ensures optimal acceleration from a standing start. It can be activated when the vehicle is stationary in the AMG DYNAMIC SELECT drive programs "S", "S+" or "RACE". To activate, the driver is required to hold down the brake pedal with their left foot while simultaneously flooring the accelerator pedal (kick down). The driver can then increase or lower the pulling-away engine speed as appropriate, according to the prevailing road conditions. When the driver now releases the brakes while continuing to floor the accelerator pedal, the vehicle accelerates with the best possible traction.

Optimizing Efficiency

- **AMG Cylinder Management**

- Cylinder deactivation system first introduced on the SLK55, but the use of it in the E63 S marks the first time Mercedes-AMG has put the system in a turbocharged car
- Activates automatically when:
 - Car is in 'Comfort' DYNAMIC SELECT Mode
 - Engine speed is between 1,000 and 3,250 RPM
- When deactivation occurs:
 - Cylinders 2, 3, 5 and 8 are shut down
 - AMG Main Menu informs driver that the system is in use

- **Transmission**

- When car is in 'Comfort,' the transmission is configured for the most fuel-efficient operation:
 - Transmission shifts up into higher gears noticeably earlier, lowering consumption and also engine noise
 - Gliding function uncouples the engine from the drivetrain to 'glide' at idle speed, for instance on a long downhill stretch
 - Gliding occurs between 37 and 99 mph. When driver lifts foot off of gas, transmission opens clutch and engine is decoupled from drivetrain
 - Comfort is also tuned for a 'soft' accelerator pedal curve/perceived power deliver and less aggressive gear changes for a smoother driving experience

Performance & Handling

- AMG-enhanced 3.0L V6 Biturbo engine (E43)
- Handcrafted AMG 4.0L V8 Biturbo engine (E63 S)
- AMG-enhanced 9G-TRONIC transmission (E43)
- AMG SPEEDSHIFT® MCT 9-speed transmission (E63 S)
- AMG Performance 4AMTIC (E43)
- AMG Performance 4MATIC+ all-wheel drive (E63 S)
- AMG Sport Suspension based on AIR BODY CONTROL
- 19" & 20" AMG wheels
- AMG DYNAMIC SELECT
- Dynamic engine mounts (E63 S)
- Differential, AMG electronic limited-slip (E63 S)
- AMG exhaust with single exhaust flap (E63 S)

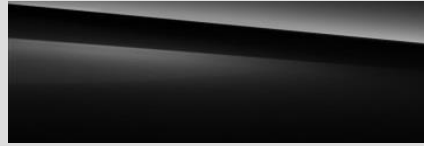
Comfort & Convenience

- 64-color Ambient lighting
- Bluetooth® connectivity
- COMAND® navigation
- LED headlamps
- Power front seats w/ 3-position memory and 4-way power driver's lumbar support
- Power tilt/sliding sunroof
- Smartphone Integration with Apple CarPlay™ & Android Auto
- 40/20/40-split folding rear seats
- Sport steering wheel with Touch Control Buttons
- Touchpad w/ central controller
- 5 years of mbrace® Connect
- Active Parking Assist
- SiriusXM® All-Access w/ trial period
- KEYLESS-START
- Comfort Package
- KEYLESS-GO® with HANDS-FREE ACCESS
- Electronic trunk closer
- IWC "Ingenieur" analog clock
- Heated and ventilated front seats (E63 S only)
- AMG Nappa leather upholstery (E63 S only)

Safety & Security

- Active Brake Assist
- ATTENTION ASSIST®
- Car-to-X Communication
- Crosswind Assist
- LED headlamps and taillamps
- PRE-SAFE®
- PRE-SAFE® Sound
- Tire Pressure Monitoring System (TPMS)
- Blind Spot Assist
- Rearview Camera

Non-metallic Paints

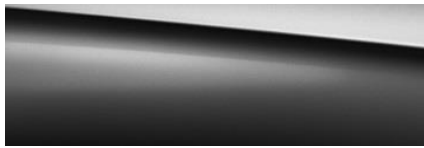


040
Black
Option price: \$0



149
Polar White
Option price: \$0

Metallic Paints



197
Obsidian Black
Option price: \$TBD



775
Iridium Silver
Option price: \$TBD



796
Dakota Brown
Option price: \$TBD



890
Lunar Blue
Option price: \$TBD



988
Diamond Silver
Option price: \$TBD



992
Selenite Grey
Option price: \$TBD



997
Piedmont Green
Option price: \$TBD

designo[®] Paints



996
Cardinal Red
Option price: \$TBD



799
Diamond White
Option price: \$TBD



297
Selenite Grey Magno
Option price: \$TBD



RTE
 19" AMG Twin 5-Spoke Wheels
 w/ Black Accents
 R02, R66
 Option price: \$0
 E43 Only



RTN
 20" AMG Twin 5-Spoke Wheels
 w/ Grey Accents
 R01, R66
 Option price: \$tba
 E43 Only



RTO
 20" AMG Twin 5-Spoke Wheels
 w/ Black Accents
 R01, R66
 Option price: \$tba
 E43 Only



RVQ
 20" AMG Multi-Spoke Wheels
 w/ Grey Accents
 R01, R66
 Option price: \$tba
 E43 Only



RVR
 20" AMG Multi-Spoke Wheels
 w/ Black Accents
 R01, R66
 Option price: \$tba
 E43 Only



RTM
 20" AMG Twin 5-Spoke Wheels
 w/ Grey Accents
 R01, B51
 Option price: \$0
 E63 S Only



RTQ
 20" AMG Twin 5-Spoke Wheels
 w/ Matte Grey Accents
 R01, B51
 Option price: \$tba



RTP
 20" AMG Twin 5-Spoke Wheels
 w/ Black Accents
 R01, B51
 Option price: \$tba
 E63 S Only



RTR
 20" AMG Forged Cross-Spoke
 Wheels w/ Grey Accents
 R01, B51
 Option price: \$tba
 E63 S Only



RTS
 20" AMG Forged Cross-Spoke
 Wheels, Matte Black
 R01, B51
 Option price: \$tba
 E63 S Only

<i>Code</i>	<i>Wheel Size</i>	<i>Description</i>	<i>Wheel Dimensions</i>		<i>Mobility</i>	<i>MSRP</i>
RTE	19"	AMG Twin 5-Spoke Wheels w/ Black Accents	245/40 R 19 on 8 J x 19 ET 20 275/35 R 19 on 9 J x 19 ET 49	(Front) (Rear)	R02, R66	\$ 0
RTN	20"	AMG Twin 5-Spoke Wheels w/ Grey Accents	245/35 ZR 20 on 8 J x 20H2 ET 20 275/30 ZR 20 on 9 J x 20H2 ET 49	(Front) (Rear)	R01, R66	\$ tba
RTO	20"	AMG Twin 5-Spoke Wheels w/ Black Accents	245/35 ZR 20 on 8 J x 20H2 ET 20 275/30 ZR 20 on 9 J x 20H2 ET 49	(Front) (Rear)	R01, R66	\$ tba
RVQ	20"	AMG Multi-Spoke Wheels w/ Grey Accents	245/35 R 20 on 8 J x 20 ET 43 275/30 R 20 on 9 J x 20 ET 49	(Front) (Rear)	R01, R66	\$ tba
RVR	20"	AMG Multi-Spoke Wheels w/ Black Accents	245/35 R 20 on 8 J x 20 ET 43 275/30 R 20 on 9 J x 20 ET 49	(Front) (Rear)	R01, R66	\$ tba
RTM	20"	AMG Twin 5-Spoke Wheels w/ Grey Accents	265/35 ZR20 on 9.5J x 20H2 ET25 295/30 ZR20 on 10.0J x 20H2 ET55	(Front) (Rear)	R01, B51	\$ 0
RTQ	20"	AMG Twin 5-Spoke Wheels w/ Matte Grey Accents	265/35 ZR20 on 9.5J x 20H2 ET25 295/30 ZR20 on 10.0J x 20H2 ET55	(Front) (Rear)	R01, B51	\$ tba
RTP	20"	AMG Twin 5-Spoke Wheels w/ Black Accents	265/35 ZR20 on 9.5J x 20H2 ET25 295/30 ZR20 on 10.0J x 20H2 ET55	(Front) (Rear)	R01, B51	\$ tba
RTR	20"	AMG Forged Cross-Spoke Wheels w/ Grey Accents	265/35 ZR20 on 9.5J x 20H2 ET25 295/30 ZR20 on 10.0J x 20H2 ET55	(Front) (Rear)	R01, B51	\$ tba
RTS	20"	AMG Forged Cross-Spoke Wheels, Black	265/35 ZR20 on 9.5J x 20H2 ET25 295/30 ZR20 on 10.0J x 20H2 ET55	(Front) (Rear)	R01, B51	\$ tba



621

MB-TEX/DINAMICA – Black w/ Red Topstitching

Option price: \$0

E43 Only

Interior Upholstery – AMG Nappa Leather



821
Black w/ Red Topstitching
Option price: \$tba
E43 Only



861
Black
Option price: \$ tba
E43 Only



864
Nut Brown/Black
Option price: \$ tba
E43 Only



865
Macchiato Beige/Black
Option price: \$ tba
E43 Only

Interior Upholstery – Exclusive Nappa Leather



554

Nut Brown/Black

Option price: \$tba

Image shows AMG Performance seats (555)



555

Macchiato Beige/Black

Option price: \$tba

Image shows AMG Performance seats (555)



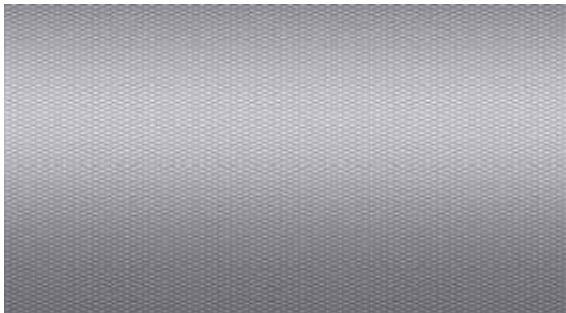
561

Black w/ Silver Topstitching

Option price: \$tba

Image shows AMG Performance seats (555)

<i>Code</i>	<i>Upholstery</i>	<i>Seats</i>	<i>Floor Mats</i>	<i>Upper Dash/Lower Dash</i>	<i>Seat Belts</i>	<i>Steering Wheel</i>	<i>Headliner</i>
621	Black MB-Tex/DINAMICA w/ Red Topstitching	Black	Black	Black/Black	Red or Black	Black	Black
821	Black w/ Red Topstitching AMG Nappa Leather	Black	Black	Black/Black	Red or Black	Black	Black
861	Black AMG Nappa Leather	Black	Black	Black/Black	Black	Black	Black
864	Nut Brown/Black AMG Nappa Leather	Nut Brown	Black	Black/Nut Brown	Black	Black	Black
865	Macchiato Beige/Black Nappa Leather	Macchiato Beige	Black	Black/Macchiato Beige	Black	Black	Black
554	Nut Brown AMG Exclusive Nappa leather	Nut Brown	Black	Black/Nut Brown	Black	Black	Black
555	Macchiato Beige AMG Exclusive Nappa leather	Macchiato Beige	Black	Black/Macchiato Beige	Black	Black	Black or Macchiato Beige
561	Black w/ Silver Topstitching AMG Exclusive Nappa leather	Black	Black	Black/Black	Silver or Black	Black	Black



739

Trapeze Cut Aluminum trim

Option price: \$0

Includes Black Piano Lacquer Center Console (728)



H06

High Gloss Brown ash wood trim

Option price: \$0

Includes Black Piano Lacquer Center Console (728)



H09

Natural Grain Brown ash wood trim

Option price: \$0

Includes Natural Grain Brown ash wood Center Console (730) !

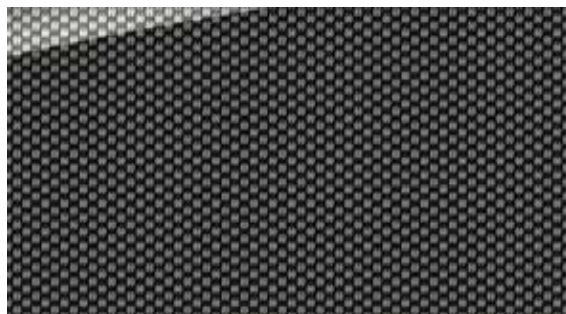


736

Natural Grain Black ash wood trim

Option price: \$TBD

Includes Natural Grain Black Ash Wood Center Console (737) !

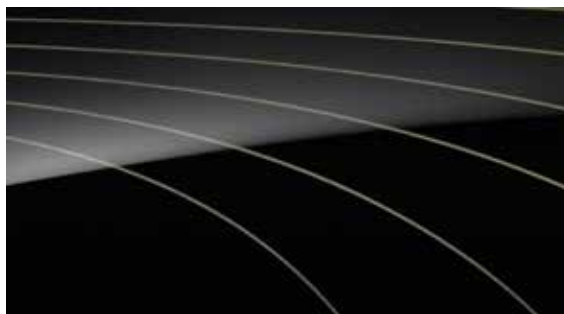


H64

Metal Weave trim

Option price: \$TBD

Includes Black Piano Lacquer Center Console (728)



H16

designo Black Piano Lacquer Flowing lines wood trim

Option price: \$TBD

Includes Black Piano Lacquer Center Console (728)

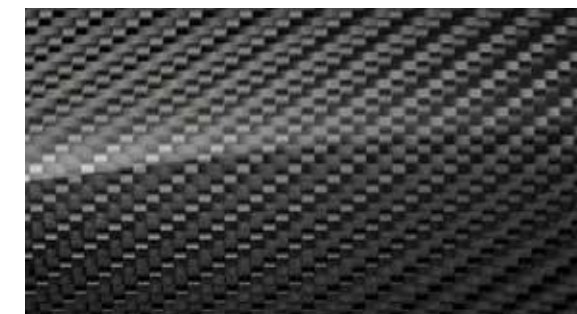


H26

designo Magnolia w/ Flowing lines wood trim

Option price: \$TBD

Includes Black Piano Lacquer Center Console (728)



H73

AMG Carbon Fiber trim

Option price: \$TBD

Includes AMG Carbon Fiber Center Console (732) !

Interior Trims – Center Console Trim



728

Center Console in Black Piano Lacquer
Option price: \$0
*Included with 736, 739, H06, H09, H64,
H16 & H26 trims*



730 !

Center Console in Natural Grain Brown
Ash wood
Option price: \$0
*Included w/ Natural Grain Brown Ash
wood trim (H09)*



737 !

Center Console in Natural Grain Black
Ash Wood
Option price: \$0
*Requires Natural Grain Black Ash
wood trim (736)*



732 !

Center Console in AMG Carbon Fiber
Option price: \$0
Requires AMG Carbon Fiber trim (H73)

Details on Image might differ from actual center console

<i>Code</i>	<i>Packages</i>	<i>Availability</i>	<i>MSRP</i>
P02	<p>Premium 2 Package</p> <ul style="list-style-type: none"> ▪ P21 – AIR BALANCE Package ▪ P35 – Lighting Package <ul style="list-style-type: none"> ▪ 640 - LED Intelligent Light System ▪ 608 - Adaptive Highbeam Assist ▪ 540 – Power Rear Window Sunshade 	E 43	\$ tba
P03	<p>Premium 3 Package</p> <p><i>Not available with AMG Performance Seats (555).</i></p> <p><i>Includes all Premium 2 Package (P02) features plus:</i></p> <ul style="list-style-type: none"> ▪ P20 – Driving Assistance Package Plus: <ul style="list-style-type: none"> ▪ 292 - PRE-SAFE® Impulse Side ▪ Active Brake Assist with Cross-Traffic Function ▪ Active Blind Spot Assist ▪ Active Lane Keeping Assist ▪ Active Distance Assist DISTRONIC® and Active Steering Assist ▪ PRE-SAFE® PLUS ▪ P47 – Parking Assist Package code: <ul style="list-style-type: none"> ▪ 501 - Surround View System ▪ 513 – Speed Limit Assist ▪ 463 – Head-Up display 	E 43	\$ tba

<i>Code</i>	<i>Packages</i>	<i>Availability</i>	<i>MSRP</i>
P04	<p>Premium 3 Package for AMG Performance Seats <i>Requires AMG Performance Seats (555).</i> <i>Includes all Premium 2 Package (P02) features plus:</i></p> <ul style="list-style-type: none"> ▪ 23P – Driver Assistance Package: <ul style="list-style-type: none"> ▪ Active Brake Assist with Cross-Traffic Function ▪ Active Blind Spot Assist ▪ Active Lane Keeping Assist ▪ Active Distance Assist DISTRONIC® and Active Steering Assist ▪ PRE-SAFE® PLUS ▪ P47 – Parking Package code: <ul style="list-style-type: none"> ▪ 501 Surround View System ▪ 513 – Speed Limit Assist ▪ 463 – Head-Up display 	E 43	\$ tba

<i>Code</i>	<i>Packages</i>	<i>Availability</i>	<i>MSRP</i>
Q03	<p>AMG Premium Package <i>Not available with AMG Performance Seats (555).</i></p> <ul style="list-style-type: none"> ▪ P20 - Driving Assistance Package Plus <ul style="list-style-type: none"> ▪ 292 - PRE-SAFE® Impulse Side ▪ Active Brake Assist with Cross-Traffic Function ▪ Active Blind Spot Assist and Active Lane Keeping Assist ▪ Active Distance Assist DISTRONIC® and Active Steering Assist ▪ PRE-SAFE® PLUS ▪ P44 - Parking Assist Package code <ul style="list-style-type: none"> ▪ 501 Surround View System ▪ 513 - Speed Limit Assist ▪ 463 - Head-Up Display ▪ 540 - Power Rear Window Sunshade 	E 63 S	\$ tba
Q04	<p>AMG Premium Package for AMG Performance Seats <i>Requires AMG Performance seats (555).</i></p> <ul style="list-style-type: none"> ▪ 23P - Driver Assistance Package: <ul style="list-style-type: none"> ▪ Active Brake Assist with Cross-Traffic Function ▪ Active Blind Spot Assist and Active Lane Keeping Assist ▪ Active Distance Assist DISTRONIC® and Active Steering Assist ▪ PRE-SAFE® PLUS ▪ P44 - Parking Assist Package code <ul style="list-style-type: none"> ▪ 501 Surround View System ▪ 513 - Speed Limit Assist ▪ 463 - Head-Up Display ▪ 540 - Power Rear Window Sunshade 	E 63 S	\$ tba

<i>Code</i>	<i>Packages</i>	<i>Availability</i>	<i>MSRP</i>
P88	<p>Edition 1 <i>Non-Orderable</i> Exterior features:</p> <ul style="list-style-type: none"> ▪ P60 – AMG Exterior Night Styling incl.: High-gloss black elements: front splitter, mirror housings, window frame trim, trim strip on rear apron Black Chrome elements: tailpipe in black chrome trim ▪ U50 – AMG Night Package ▪ RTS – 20” AMG Forged Cross-Spoke Wheels, Black ▪ 056 – <i>designo</i> Night Black Magno ▪ AMG side sports stripes in matte graphite grey (wrapped) above AMG side sill panels (deselection code U03) ▪ B07 – AMG High-Performance Ceramic Composite Braking System <p>Interior features:</p> <ul style="list-style-type: none"> ▪ 555 – AMG Performance seats w/ AMG Exclusive Nappa leather in black w/ yellow topstitching (571) ▪ L6G – AMG Performance Steering Wheel in DINAMICA w/ yellow topstitching, black 12 o'clock marking and black electroplated bezel with "Edition 1" lettering and AMG aluminum shift paddles ▪ H73 – AMG Carbon Fiber trim ▪ AMG-specific analogue clock in IWC design with yellow highlights ▪ U26 – Floor mats in black with "AMG" lettering and yellow edging 	E 63 S	\$ tba
PAF	<p>Acoustic Comfort Package</p> <ul style="list-style-type: none"> ▪ PAF – Acoustic Comfort Package <i>Increased Cabin Insulation, Windshield and Side Windows with Acoustic and Heat Absorbing Membrane</i> ▪ 596 – Infrared-reflecting glass 	All Models	\$ tba
445	<p>Warmth & Comfort Package</p> <p><i>Not available with AMG Performance seats (555) or AMG Premium Package for AMG Performance Seats (P04)</i></p> <ul style="list-style-type: none"> ▪ P68 – Heated door panels & center console ▪ 906 – Heated armrest 	All Models	\$ tba

<i>Code</i>	<i>Packages</i>	<i>Availability</i>	<i>MSRP</i>
319	AMG Advanced Lighting Package <ul style="list-style-type: none"> ▪ P35 – Lighting Package code ▪ 608 – Adaptive Highbeam Assist ▪ 640 – LED Intelligent Lighting System 	E63 S	\$ tba
521	AMG Night Package <i>Can be combined with AMG Exterior Carbon Fiber Packages</i> P55 - AMG Exterior Night Styling (E43 Only) <ul style="list-style-type: none"> ▪ High-gloss black elements: front splitter, front flics, trim strip on rear apron Black Chrome elements: tailpipe in black chrome trim ▪ P60 – AMG Exterior Night Styling (E63S Only) High-gloss black elements: front splitter, mirror housings, side fender inserts, window frame trim, trim strip on rear apron Black Chrome elements: tailpipe in black chrome trim ▪ U50 – AMG Night Package 	All Models	\$ tba
B28	AMG Exterior Carbon Fiber Package <i>Can be combined with AMG Night Package (521)</i> <ul style="list-style-type: none"> • AMG carbon fiber exterior mirror covers • AMG carbon fiber trunk lid spoiler 	E43	\$ tba
773	AMG Exterior Carbon Fiber Package I <i>Can be combined with AMG Night Package (521)</i> Carbon fiber elements: Front splitter, side fender inserts, side sill panel inserts, and insert in rear apron above rear diffuser	E63 S	\$ tba
B28	AMG Exterior Carbon Fiber Package II <i>Can be combined with AMG Night Package (521)</i> <ul style="list-style-type: none"> • AMG carbon fiber exterior mirror covers • AMG carbon fiber trunk lid spoiler 	E63 S	\$ tba

<i>Code</i>	<i>Packages</i>	<i>Availability</i>	<i>MSRP</i>
313	Sun Protection Package <ul style="list-style-type: none">▪ P09 – Sun Protection Package Code<ul style="list-style-type: none">▪ Double sun visors for the driver and front passenger that extends with two folding sections▪ 313 – Rear window manual roller blinds	All Models	\$ tba

Stand-Alone Options

<i>Code</i>	<i>Options</i>	<i>Availability</i>	<i>MSRP</i>
U17	Omission of Colored Seatbelts <i>Requires upholstery options: 621, 821, 561</i>	All Models	\$ 0
U80	115V AC power outlet	All Models	\$ X,XXX
61U	DINAMICA Black headliner <i>E43: Requires Premium Package 2 (P02), Premium Package (P03) or Premium Package 4 (P04)</i> <i>E63 S: Requires AMG Premium Package (Q03) or AMG Premium Package for AMG Performance Seats (Q04)</i>	All Models	\$ X,XXX
65U	DINAMICA Macchiato Beige headliner <i>Requires Q03 or Q04 AMG Premium Package on the E 63 S.</i>	E63 S	\$ X,XXX
260	Deletion of rear deck lid badging	All Models	\$ 0
261	Deletion of fender badging	All Models	\$ 0
413	Panorama roof	All Models	\$ X,XXX
555	AMG Performance seats <i>Not available with Premium Package 3 (P03) or active multicontour seats (432) on the E 43</i> <i>Not available with AMG Premium Package (Q03) or active multicontour seats (432) on the E 63S</i>	All Models	\$ X,XXX
581	3-zone climate control	All Models	\$ X,XXX
811	Burmester® High-End 3D Surround Sound System	All Models	\$ X,XXX
866	Pre-Wiring for Rear Seat Entertainment	All Models	\$ X,XXX
872	Heated rear seats	All Models	\$ X,XXX
883	Soft-close doors	All Models	\$ X,XXX

<i>Code</i>	<i>Options</i>	<i>Availability</i>	<i>MSRP</i>
432	Active Multi-Contour Front Seats with Massage Function <i>Not available with AMG Performance seats (555) . Requires Nappa Leather upholstery and Heated/Ventilated Front Seats (401).</i>	All models	\$ X,XXX
401	Heated and ventilated seats	E 43	\$ X,XXX
256	AMG Track Pace App	E 43	\$ X,XXX
P21	AIR BALANCE Cabin Air Fragrance & Filtration System	E 63 S	\$ X,XXX
U78	AMG Performance Exhaust System	E 63 S	\$ X,XXX
B07	AMG High-Performance Ceramic Composite Braking System	E 63 S	\$ X,XXX
B14	AMG carbon fiber engine cover	E 63 S	\$ X,XXX

<i>Code</i>	<i>VPC Installed Accessories</i>	<i>Availability</i>	<i>MSRP</i>
00A	Illuminated Star <i>Not with AMG Premium Package (P03)</i>	All Models	\$ X,XXX
068	Wheel locking bolts	All Models	\$ X,XXX
070	Chrome door handle inserts	All Models	\$ X,XXX
137	Comfort Box	All Models	\$ X,XXX
<i>Code</i>	<i>Special Order Options (SPC)</i>	<i>Availability</i>	<i>MSRP</i>
293	Rear Side Airbags	All Models	\$ X,XXX

Brakes



AMG Sport Brakes

Standard on E 43 (E43 only)

4-piston front and 1-piston rear calipers

- Front axle: brake disc measuring 14.2 inch, internally ventilated and perforated with 4-piston fixed caliper
- Rear axle: brake discs measuring 14.2 inch, internally ventilated 1-piston floating caliper
- Grey-painted brake calipers with “AMG” lettering



AMG High-Performance Composite Braking System (U70)

Standard on E 63 S (E 63 S only)

6-piston front and 1-piston rear calipers

- Front axle: composite brake disc measuring 15.4 x 1.4 inch, internally ventilated and perforated with 6-piston fixed caliper
- Rear axle: brake discs measuring 14.2 x 1.0 inch, internally ventilated and perforated with 1-piston floating caliper
- Increased fade resistance and reduced thermal deformation of brake discs
- Red-painted brake calipers with “AMG” lettering



AMG High-Performance Ceramic Composite Braking System (B07)

Option price: \$tba (E 63 S only)

6-piston front and 1-piston rear calipers

- Front axle: composite ceramic disc with a diameter of 15.8 x 1.5 inch, internally ventilated and perforated, with 6-piston fixed caliper
- Rear axle: integral brake disc with a diameter of 14.2 x 1.3 inch, internally ventilated, perforated and grooved with 1-piston floating brake caliper
- 40% weight saving compared with standard brake discs
- Bronze-painted brake calipers with “AMG Carbon Ceramic” lettering

Steering Wheels



Multifunction Sport Steering Wheel in Nappa Leather (L5C)

Standard on the E43.

N/A on the E 63 S.

- Features a flattened bottom section
- Heavily embossed grip area
- Silver-colored aluminum shift paddles



AMG Performance steering wheel in Nappa leather / DINAMICA (L6I)

Standard on the E 63 S.

Optional on the E43.

- Features a flattened bottom section
- Grip is finished in DINAMICA microfiber
- Silver-colored aluminum shift paddles
- 12-o'clock marking



AMG Performance steering wheel in Nappa leather (L6J)

Optional on the E 63 S.

- Features a flattened bottom section
- Perforated grip area
- Silver-colored aluminum shift paddles
- 12-o'clock marking

Headlamps



LED Headlamps (632)

Standard on all models

- Excellent illumination of the road
- New LED taillamps
- Distinctive look during day and night
- Low energy consumption
- Color of emitted light more similar to that of daylight
- Much longer bulb life



LED Intelligent Light System (640)

Optional on all models

- Excellent illumination of the road
- Integrated LED daytime running lamps
- LED low-beam and LED high-beam technology
- New LED taillamps
- Adaptive Highbeam Assist automatic high-beam control
- Automatically activated low-speed cornering lights
- Headlamps move alongside steering input for significantly better illumination in bends
- Distinctive look during day and night

Headliner



***designo* Black DINAMICA headliner w/ leather grab handles (61U)**

Option price: \$tba

Requires P02, P03 or P04 Package on the E 43

Requires Q03 or Q04 Package on the E 63 S



***designo* Macchiato Beige DINAMICA headliner w/ leather grab handles (65U)**

Option price: \$tba

Only available on the E 63 S.

Requires 555 upholstery, as well as P02, P03 or P04 Package

AMG Performance seats (555)



Edition 1 Exterior (1/2) (P88)



- Edition 1 (P88) – **Non-Orderable**
- AMG Night Package (521)
- *designo* Night Black Magno (056)
- 20" AMG Forged Cross-Spoke Wheels (RTS)
- AMG Black Nappa leather w/ yellow topstitching (571)

Edition 1 Interior (2/2) (P88)



- Edition 1 (P88) – **Non-Orderable**
- AMG Night Package (521)
- *designo* Night Black Magno (056)
- 20" AMG Forged Cross-Spoke Wheels (RTS)
- AMG Black Nappa leather w/ yellow topstitching (571)

AMG Performance Exhaust System (U78)



AMG Performance Exhaust System (U78)

Option price: \$tba (E 63 S only)

- Stronger differentiation of the sound characteristics by means of two additional exhaust flaps
- Sound characteristics dependent on selected drive program – clear differentiation between rich in drive programs “C” and “S” and emphatically sporty in drive programs “S+” and “Race” (only for E 63 S)
- Additional control of the sound characteristics by means of a button in the middle control panel of the center console
- Control by means of variably adjustable exhaust flaps – without loss of power
- Control of the exhaust gas flaps is dependent on both engine speed and load, ensuring 100% power delivery
- Double declutching (in “S”) and a misfire (in “S+” and “Race”) emphasize the sporty characteristics of the particular drive programs

AMG Night Package on the E 63 S (521)



AMG Exterior Carbon Fiber Trim Package (773) on the E 63 S - (1/2)



Carbon fiber inserts in AMG side sill panels



Carbon fiber insert in rear apron above rear diffuser



A-wing in carbon fiber

Lamella grille in silver chrome

AMG Exterior Carbon Fiber Trim Package (773) on the E 63 S - (2/2)



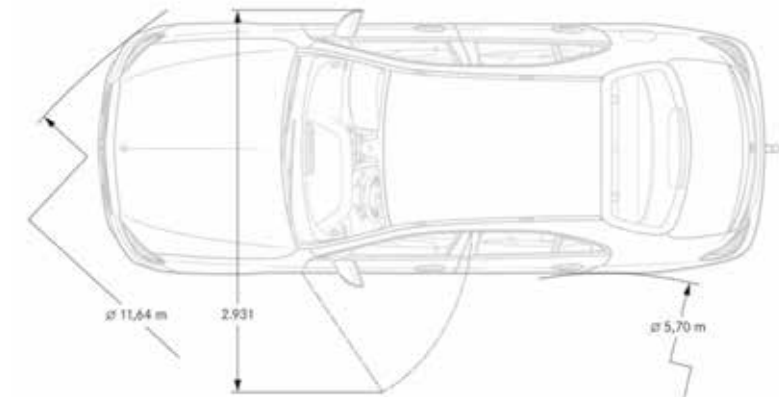
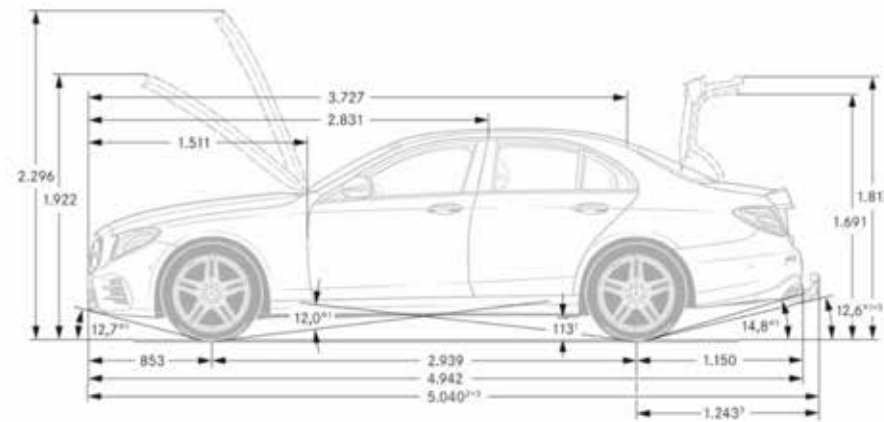
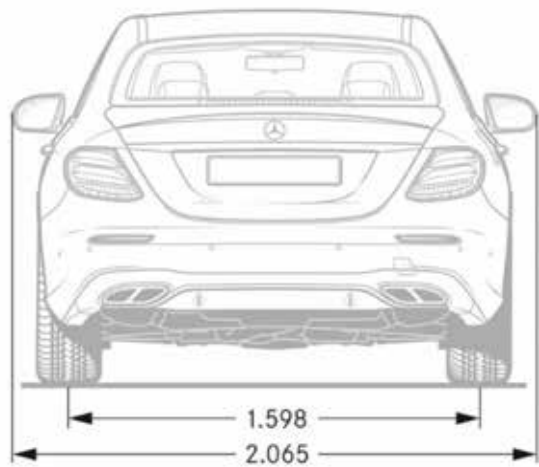
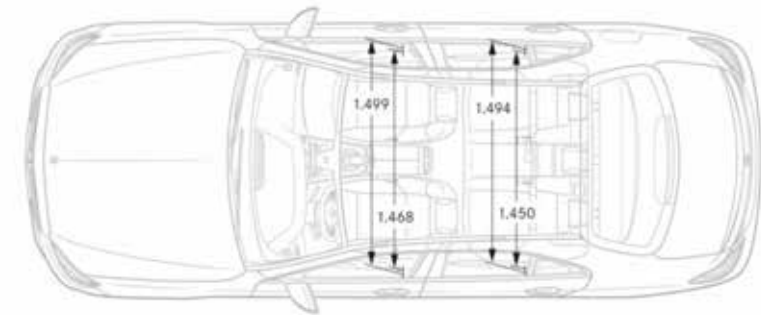
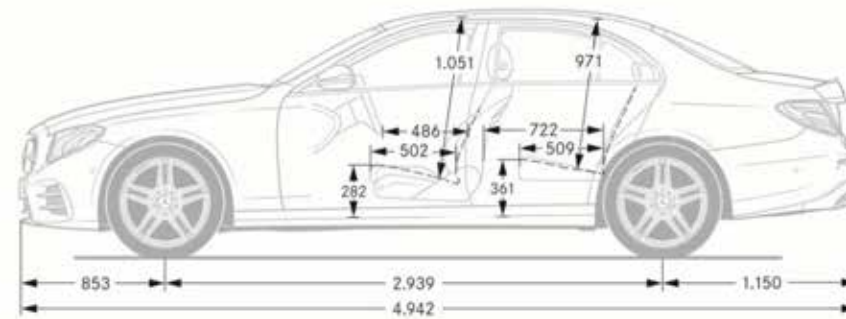
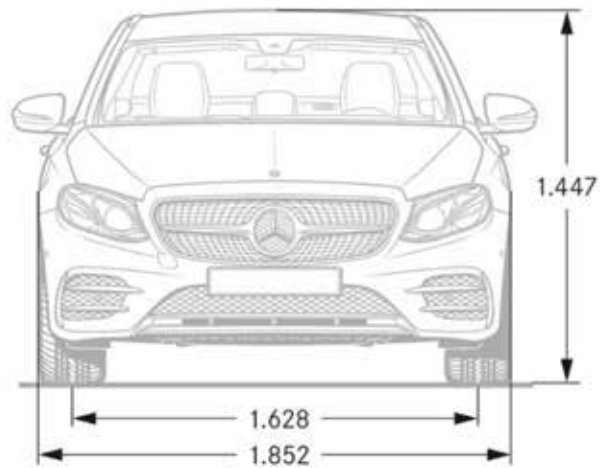
AMG carbon fiber rear spoiler



AMG carbon fiber exterior mirror covers

	<i>E 43</i>	<i>E 63 S</i>
Engine Configuration	AMG-enhanced 3.0L V6 biturbo engine	Handcrafted AMG 4.0L V8 biturbo engine
Power (hp)	396	603
Torque (lb-ft)	384	627
Displacement (cc)	2,996	3,982
Acceleration 0-60 mph (sec)	4.5	3.3
Fuel Economy (Cty/Hwy/Comb)	18 / 25 / 21	TBD
Top Speed (mph)	130 (electronically limited)	186 (electronically limited)
Fuel Requirement (Octane)	91	91
# Valves per cylinder	4	4
Compression	10.7:1	8.6:1
Transmission	AMG-enhanced 9G-TRONIC	AMG SPEEDSHIFT® MCT
Transmission Speeds	9	9
Drive Configuration	AMG Performance 4MATIC	AMG Performance 4MATIC+ all-wheel drive
Fuel Tank Size (gallons)	21.1	21.1
Trunk Size (cubic feet)	19.1	19.1
Curb Weight (lbs)	4,145	TBD
Vehicle Length (in.)	194.6	196.4
Vehicle Width w/ exterior mirrors (in.)	81.3	81.3
Vehicle Height (in.)	57.0	56.6
Wheelbase (in.)	115.7	115.7
Track Width Front/Rear (in.)	64.1/62.9	64.9/62.8
Coefficient of Drag (Cd)	0.32	0.32

Specifications* – E 43 Sedan



Specifications* – E 63 S Sedan

