

# E-Class Sedan



W213

Model Year 2018

*Preliminary – Subject to Change*

Mercedes-Benz

The best or nothing.





## Important note

The information presented in this guide is based on the most current information available and is intended for internal use only. Mercedes-Benz reserves the right to make changes at any time, without notice, to colors, materials, equipment, special specifications and models.

Pricing may not yet be finalized for some models or options.

Due to variances among monitors and printers the colors that appear on your screen and printouts may not be exact.

For illustrative purposes, some images may show vehicles with European Specification.

## Revision History

<i>Date</i>	<i>Changes</i>
01/27/17	Initial release
01/31/17	Modified Stand-Alone option (Code 445 - Warmth and Comfort Package)
02/09/17	Renaming of Sport Wheel Package (322) to AMG Line Exterior
02/10/17	Updated Center Console availability for E63S
02/15/17	Updated trim availability for E63S
02/21/17	Addition of the AMG E43
02/23/17	Updated Standard Equipment and Options for all AMG Models
03/08/17	Updated ADAS nomenclature
	MB-Tex/DINAMICA upholstery (621) as well as AMG Carbon Fiber trim is now available on E43.
03/14/17	Updated Multi-contour Seats with Massage Function (432) requirements for AMG models.
03/16/17	Added AMG Advanced Lighting Package (319) for E63 S
04/03/17	Updated Mercedes-Benz Accessories Program (15A LED Logo Projectors)
04/17/17	Added AMG E63 S curb weight
04/26/17	Updated Trim options (H09/736 pricing tba)
05/03/17	AMG Carbon Fiber Trim along with the Carbon Fiber center console (H73+732) as well as Natural Grain Brown Ash (730) and Black Ash (737) Wood center consoles are orderable starting June 3 <sup>rd</sup> decade production for the E63S.
05/30/17	Updated Interior Trims, Option Packaging and Stand-Alone option pricing. Heated Front Seats (873) n/a as stand-alone option.



## *E300 & E300 4MATIC*

---



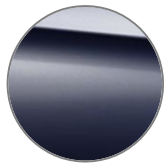
Models



What's new



Standard Equipment



Exterior Paint Colors



Wheels



Interior Upholstery



Interior Trims



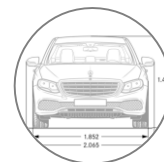
Option Packages



Stand-Alone Options



Options in Detail



Specifications



*E 300 (213.048)*

- MSRP \$tba
- 2.0L inline-4 turbo engine
- 241 hp
- 273 lb-ft
- Launch date: Summer 2017



*E 300 4MATIC (213.049)*

- MSRP \$tba
- 2.0L inline-4 turbo engine
- 241 hp
- 273 lb-ft
- Launch date: Summer 2017





## Exterior Comparison AMG Line Exterior (322) and Luxury Line (167)





## Exterior Comparison AMG Line Exterior (322) and Luxury Line (167)





## AMG Line Exterior (322)



### **AMG Line Exterior (322)**

*Requires Sport Styling (321)*

*Option price: \$650*

- U29 – Perforated front brake discs & front brake calipers w/ “Mercedes-Benz” lettering
- 51U – Black headliner
- Wheel Choice of:
  - RQR – 18” AMG 5-Spoke Wheels with all-season, run-flat tires
  - RTK – 19” AMG Twin 5-Spoke Wheels with all-season, run-flat tires (+\$500)



18” AMG  
5-Spoke Wheels



19” AMG Twin  
5-Spoke Wheels





## Rear Seat Entertainment and Comfort Adapter (866)



### **Rear Seat Entertainment and Comfort Adapter (866)**

*Option price: \$170*

The new code 866 is a slot in the backrest of the front driver and passenger seats with a plug-in adapter. Several rear seat entertainment and comfort accessories work in conjunction with this adapter. Accessories must be purchased separately.

#### **IMPORTANT NOTE:**

*Please do not confuse the existing equipment "Pre-Installation Rear Seat Entertainment" with this equipment as they have the same code.*







## *Interior*

- Natural Grain Black Ash Wood and Natural Grain Brown Ash wood trim w/ matching center console

## *Standard Equipment*

- Rearview camera

## *Optional Equipment*

- New Premium Package content
- Night Package
- Soft-Close doors
- Illuminated door sills with “Mercedes-Benz” lettering
- Rear Seat Entertainment and Comfort Adapter
- 3-Zone climate control
- Active Multicontour Seats w/ massage function



## *Performance & Handling*

- 9G-TRONIC 9-Speed Automatic Transmission
- 2.0L Inline-4 turbo engine (241 hp, 273 lb-ft)
- DYNAMIC SELECT driving programs

## *Comfort & Convenience*

- 64-Color Ambient Lighting
- Auto-Dimming Driver-Side and Rearview Mirrors
- Bluetooth® Connectivity
- COMAND® Navigation System
- HomeLink® Garage door opener
- KEYLESS-START
- Power front seats with 3-position memory and 4-way lumbar support
- Power Folding Mirrors
- Power Tilt/Sliding Sunroof
- Rearview camera
- Smartphone integration with Apple CarPlay™ & Android Auto
- Split folding rear seats (40/20/40)
- Steering wheel with Touch Control Buttons
- Touchpad w/ central controller
- 12.3" COMAND display
- 5 Years of mbrace® Connect

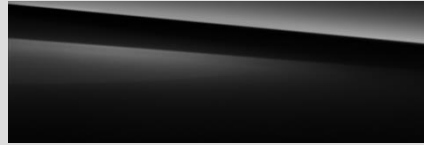
## *Safety & Security*

- Active Brake Assist
- ATTENTION ASSIST®
- Car-to-X Communication
- Crosswind Assist
- LED headlamps
- PRE-SAFE®
- PRE-SAFE Sound
- Tire pressure monitoring system

# Exterior Paint Colors



## Non-metallic Paints



040  
Black  
*Option price: \$0*



149  
Polar White  
*Option price: \$0*

## Metallic Paints



197  
Obsidian Black  
*Option price: \$720*



775  
Iridium Silver  
*Option price: \$720*



796  
Dakota Brown  
*Option price: \$720*



890  
Lunar Blue  
*Option price: \$720*



988  
Diamond Silver  
*Option price: \$720*



992  
Selenite Grey  
*Option price: \$720*



997  
Piedmont Green  
*Option price: \$720*

## *designo*<sup>®</sup> Paints



996  
Cardinal Red  
*Option price: \$1,080*



799  
Diamond White  
*Option price: \$1,515*



297  
Selenite Grey Magno  
*Option price: \$3,950*



R31  
18" 5-Spoke Wheels  
R02, R66  
*Option price: \$0*  
*Requires Sport Styling (321)*

RQR  
18" AMG 5-Spoke Wheels  
R02, R66  
*Option price: \$0*  
*Requires AMG Line Exterior (322)*

RQQ  
18" AMG 5-Spoke Wheels  
w/ Black Accents  
R02, R66  
*Option price: \$0*  
*Requires Night Package (521)*

RTK  
19" AMG Twin 5-Spoke Wheels  
R02, R66  
*Option price: \$500*  
*Requires AMG Line Exterior (322)*



R07  
17" Twin 5-Spoke Wheels  
R02, R66  
*Option price: \$0*  
*Requires Luxury Line (167)*

R54  
18" Twin 5-Spoke Wheels  
R02, R66  
*Option price: \$500*  
*Requires Luxury Line (167)*

# Interior Upholstery – Sport Styling (321)



121  
Black  
MB-Tex

*Option price: \$0*  
*Includes Crystal Grey Headliner (58U)*



124  
Nut Brown/Black  
MB-Tex

*Option price: \$0*  
*Includes Black Headliner (51U)*



125  
Macchiato Beige/Black  
MB-Tex

*Option price: \$0*  
*Includes Macchiato Beige Headliner (55U)*



201  
Black  
Leather

*Option price: \$1,620*  
*Includes Crystal Grey Headliner (58U)*



214  
Nut Brown/Black  
Leather

*Option price: \$1,620*  
*Includes Black Headliner (51U)*



215  
Macchiato Beige/Black  
Leather

*Option price: \$1,620*  
*Includes Macchiato Beige Headliner (55U)*

# Interior Upholstery – Luxury Line (167)



131

Black  
MB-Tex

*Option price: \$0*

*Includes Crystal Grey Headliner (58U)*



144

Nut Brown/Espresso Brown  
MB-Tex

*Option price: \$0*

*Includes Macchiato Beige Headliner (55U)*



145

Macchiato Beige/Espresso Brown  
MB-Tex

*Option price: \$0*

*Includes Macchiato Beige Headliner (55U)*

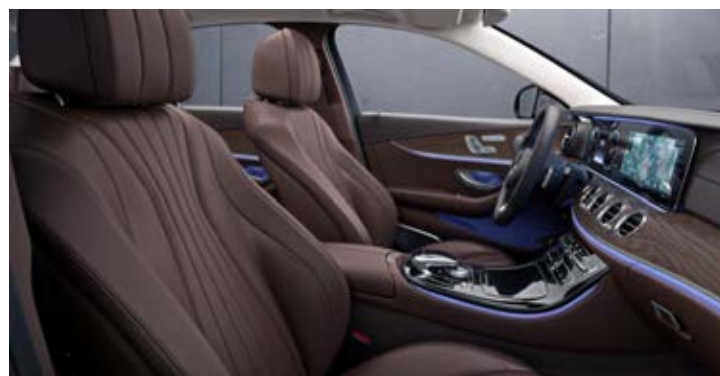


801

Black  
Nappa leather

*Option price: \$2,990*

*Includes Crystal Grey Headliner (58U)*



814

Nut Brown/Espresso Brown  
Nappa leather

*Option price: \$2,990*

*Includes Macchiato Beige Headliner (55U)*



815

Macchiato Beige/Espresso Brown  
Nappa leather

*Option price: \$2,990*

*Includes Macchiato Beige Headliner (55U)*



# Interior Upholstery – *designo* Nappa Leather



961

Black/Titanium Grey Pearl

*Option price: \$4,900*

*Requires **designo** Package (P62) and Premium 2 (P02) or Premium 3 Package (P03)*

*Includes Black DINAMICA Headliner (61U)*



975

Macchiato Beige/Saddle Brown

*Option price: \$4,900*

*Requires **designo** Package (P87) and Premium 2 (P02) or Premium 3 Package (P03)*

*Includes Macchiato Beige DINAMICA Headliner (65U)*



<i>Code</i>	<i>Upholstery</i>	<i>Seats</i>	<i>Floor Mats</i>	<i>Upper Dash/Lower Dash</i>	<i>Seat Belts</i>	<i>Steering Wheel</i>	<i>Headliner</i>
121	Black MB-TeX	Black	Black	Black/Black	Black	Black	Crystal Grey or Black <sup>1</sup>
124	Nut Brown/ Black MB-TeX	Nut Brown	Nut Brown	Black/Nut Brown	Black	Black	Black
125	Macchiato Beige/ Black MB-TeX	Macchiato Beige	Black	Black/ Macchiato Beige	Black	Black	Macchiato Beige or Black <sup>1</sup>
201	Black leather	Black	Black	Black/Black	Black	Black	Crystal Grey or Black <sup>1</sup>
214	Nut Brown/ Black leather	Nut Brown	Nut Brown	Black/Nut Brown	Black	Black	Black
215	Macchiato Beige/ Black leather	Macchiato Beige	Black	Black/Macchiato Beige	Black	Black	Macchiato Beige or Black <sup>1</sup>
131	Black MB-TeX	Black	Black	Black/Black	Black	Black	Crystal Grey
144	Nut Brown/ Espresso Brown MB-TeX	Nut Brown	Nut Brown	Espresso Brown/ Nut Brown	Nut Brown	Espresso Brown	Macchiato Beige
145	Macchiato Beige/ Espresso Brown MB-TeX	Macchiato Beige	Black	Macchiato Beige/ Nut Brown	Macchiato Beige	Espresso Brown	Macchiato Beige
801	Black Nappa leather	Black	Black	Black/Black	Black	Black	Crystal Grey
814	Nut Brown/ Espresso Brown Nappa leather	Nut Brown	Nut Brown	Espresso Brown/Nut Brown	Nut Brown	Espresso Brown	Macchiato Beige
815	Macchiato Beige/ Espresso Brown Nappa leather	Macchiato Beige	Espresso Brown	Espresso Brown/ Macchiato Beige	Macchiato Beige	Espresso Brown	Macchiato Beige
961	Black / Titanium Grey Pearl <i>designo</i> Nappa leather	Black / Titanium Grey Pearl	Black	Titanium Grey Pearl / Black	Black	Black	DINAMICA Black
975	Macchiato Beige / Saddle Brown <i>designo</i> Nappa leather	Macchiato Beige / Saddle Brown	Macchiato Beige	Saddle Brown / Macchiato Beige	Macchiato Beige	Macchiato Beige	DINAMICA Machiato Beige

<sup>1</sup>Black Headliner (51U) requires AMG Line Exterior (322)



# Interior Trims - Upper Trim



739

Aluminum trim

*Special Order Option Charge: \$250*

*Includes Black Piano Lacquer Center Console (728)*



731

Burl Walnut wood trim

*Option price: \$0*

*Includes Black Piano Lacquer Center Console (728)*



H06

Brown Ash wood trim

*Option price: \$0*

*Includes Black Piano Lacquer Center Console (728)*



H09

Natural Grain Brown Ash wood trim

*Option price: \$150*

*Includes matching Natural Grain Brown Ash Wood trim center console (730)*



736

Natural Grain Black Ash wood trim

*Option price: \$150*

*Includes matching Natural Grain Black Ash wood center console (737)*



H16

*designo* Black Piano Lacquer Flowing Lines wood trim

*Option price: \$1,300*

*Includes Black Piano Lacquer Center Console (728)*



H26

*designo* Magnolia Flowing Lines wood trim

*Option price: \$1,300*

*Includes Black Piano Lacquer Center Console (728)*



728

Center Console in Black Piano Lacquer

*Included w/ upper trims 739, 731, H06, H16 and H26*



730

Center Console in Natural Grain Brown Ash wood

*Requires Natural Grain Brown Ash wood trim (H09)*



737

Center Console in Natural Grain Black Ash wood

*Requires Natural Grain Black Ash wood trim (736)*

Details on Image might differ from actual center console



<i>Code</i>	<i>Packages</i>	<i>Availability</i>	<i>MSRP</i>
P01	<p><b>Premium 1 Package</b>  <i>Requires Burmester® Surround Sound System (810) (\$850 included in package price) or Burmester® High End 3D Surround Sound System (811) for additional \$4,550</i></p> <ul style="list-style-type: none"> <li>▪ 234 - Blind Spot Assist</li> <li>▪ P44 - Parking Package code                             <ul style="list-style-type: none"> <li>▪ 235 - Active Parking Assist</li> </ul> </li> <li>▪ 536 - SiriusXM® Radio w/ Free Trial Period</li> <li>▪ 873 - Heated Front Seats</li> <li>▪ 897 - Inductive Wireless Phone Charging w/ NFC Pairing</li> <li>▪ P17 - KEYLESS-GO Comfort Package                             <ul style="list-style-type: none"> <li>▪ 871 - HANDS-FREE ACCESS</li> <li>▪ 881 - Electric Trunk Closer</li> <li>▪ 889 - KEYLESS-GO</li> </ul> </li> </ul>	All Models	\$ tba
P02	<p><b>Premium 2 Package</b>  <i>Includes all Premium 1 Package (P01) features plus:</i></p> <ul style="list-style-type: none"> <li>▪ P35 - Lighting Package code                             <ul style="list-style-type: none"> <li>▪ 608 - Adaptive Highbeam Assist</li> <li>▪ 640 - LED Intelligent Light System</li> </ul> </li> <li>▪ 464 - 12.3" Widescreen Instrument Cluster</li> <li>▪ 540 - Power Rear-Window Sunshade</li> <li>▪ P21 - Air Balance Package</li> </ul>	All Models	\$ tba
P03	<p><b>Premium 3 Package</b>  <i>Includes all Premium 2 Package (P02) features plus:</i></p> <ul style="list-style-type: none"> <li>▪ P20 - Driver Assistance Package Plus</li> <li>▪ P47 - Parking Package code                             <ul style="list-style-type: none"> <li>▪ 501 Surround View System</li> </ul> </li> <li>▪ 463 - Head-Up display</li> </ul>	All Models	\$ tba



<i>Code</i>	<i>Packages</i>	<i>Availability</i>	<i>MSRP</i>
167	<p><b>Luxury Line</b></p> <p><i>Not available with Sport Styling (321)</i></p> <ul style="list-style-type: none"> <li>▪ P22 - Luxury Line interior</li> <li>▪ P23 - Luxury Line exterior styling                             <ul style="list-style-type: none"> <li>▪ Luxury radiator grille w/ Mercedes-Benz Star on Hood</li> </ul> </li> <li>▪ 485 - Suspension with selective damping</li> <li>▪ U09 - MB-TeX upper dashboard and door trim with topstitching</li> <li>▪ Galvanized shift paddles</li> <li>▪ Wheel Choice of:                             <ul style="list-style-type: none"> <li>▪ R07 - 17" Twin 5-Spoke Wheels with all-season, run-flat tires</li> <li>▪ R54 - 18" Twin 5-Spoke Wheels with all-season, run-flat tires (+\$500)</li> </ul> </li> </ul>	All Models	\$ 0
321	<p><b>Sport Styling</b></p> <p><i>Not available with Luxury Line (167)</i></p> <ul style="list-style-type: none"> <li>▪ 677 - Lowered suspension with selective damping</li> <li>▪ 772 - AMG Body Styling</li> <li>▪ Mercedes-Benz Star in radiator grille</li> <li>▪ Wheel:                             <ul style="list-style-type: none"> <li>▪ R31 - 18" 5-Spoke Wheels with all-season, run-flat tires</li> </ul> </li> </ul>	All Models	\$ 0
322	<p><b>AMG Line Exterior</b></p> <p><i>Requires Sport Styling (321)</i></p> <ul style="list-style-type: none"> <li>▪ U29 - Perforated front brake discs &amp; front brake calipers w/ "Mercedes-Benz" lettering</li> <li>▪ 51U - Black headliner</li> <li>▪ Wheel Choice of:                             <ul style="list-style-type: none"> <li>▪ RQR - 18" AMG 5-Spoke Wheels with all-season, run-flat tires</li> <li>▪ RTK - 19" AMG Twin 5-Spoke Wheels with all-season, run-flat tires (+\$500)</li> </ul> </li> </ul>	All Models	\$ 650
521	<p><b>Night Package</b></p> <p><i>Requires AMG Line Exterior (322)</i></p> <ul style="list-style-type: none"> <li>▪ P55 - Night Package code</li> <li>▪ Gloss black elements: Front wing, lamellas, rear diffuser insert, exterior mirror covers, beltline, strip &amp; window strip cover</li> <li>▪ RQQ - 18" AMG 5-Spoke Wheels w/ Black Accents</li> </ul>	All Models	\$ 300



<i>Code</i>	<i>Packages</i>	<i>Availability</i>	<i>MSRP</i>
P62	<p><b>designo Titanium Grey Pearl/Black Nappa Leather</b>  <i>Requires Premium 2 Package (P02) or Premium 3 Package (P03)</i>  <i>Available with all trim choices</i></p> <ul style="list-style-type: none"> <li>▪ 961 – <i>designo</i> Titanium Grey Pearl/Black Nappa leather seats in diamond quilt design, with black topstitching, and <i>designo</i> badge on backrests of front seats</li> <li>▪ U04 – <i>designo</i> floor mats</li> <li>▪ 61U – <i>designo</i> Black DINAMICA headliner</li> <li>▪ U38 – Upper dashboard and doors in <i>designo</i> Titanium Grey Pearl Nappa leather with black topstitching</li> <li>▪ Door and center console armrests in <i>designo</i> Black Nappa Leather</li> </ul>	All Models	\$ 4,900
P87	<p><b>designo Macchiato Beige/Saddle Brown Nappa Leather</b>  <i>Requires Premium 2 Package (P02) or Premium 3 Package (P03)</i>  <i>Available with all trim choices</i></p> <ul style="list-style-type: none"> <li>▪ 975 – <i>designo</i> Macchiato Beige / Saddle Brown Nappa leather seats in diamond quilt design, with beige topstitching, and <i>designo</i> badge on backrests of front seats</li> <li>▪ U04 – <i>designo</i> floor mats</li> <li>▪ 65U – <i>designo</i> Macchiato Beige DINAMICA headliner</li> <li>▪ U38 – Upper dashboard and doors in <i>designo</i> Saddle Brown Nappa leather with silk beige topstitching</li> <li>▪ Door and center console armrests in <i>designo</i> Macchiato Beige Nappa leather</li> </ul>	All Models	\$ 4,900
445	<p><b>Warmth and Comfort Package</b>  <i>Not available with heated front seats (873).</i>  <i>Requires Premium P1 (P01), Premium P2 (P02) or Premium P3 (P03)</i></p> <ul style="list-style-type: none"> <li>▪ P68 – Warmth and Comfort Package code</li> <li>▪ 906 – Heated Front Armrests</li> <li>▪ 902 – Rapid Heating Functionality for Front Seats</li> <li>▪ 443 – Heated Steering Wheel</li> <li>▪ 431 – Galvanized Shift Paddles</li> </ul>	All Models	\$ 1,050

# Stand-Alone Options



<i>Code</i>	<i>Options</i>	<i>Availability</i>	<i>MSRP</i>
PAF	Acoustic Comfort Package <i>Increased Cabin Insulation, Windshield and Side Windows with Acoustic and Heat Absorbing Membrane</i> ▪ 596 – Infrared Glass	All Models	\$ 1,100
L3D	Wood/leather steering wheel <i>Requires Burl Walnut wood trim (731)</i> <i>Not available with 445 Package or heated steering wheel (443)</i>	All Models	\$ 600
U25	Illuminated door sills with “Mercedes-Benz” lettering	All Models	\$ 350
U80	115V AC Power Outlet	All Models	\$ 115
234	Blind Spot Assist <i>Not available with P01, P02 or P03 Premium Packages</i>	All Models	\$ 550
401	Heated and Ventilated Front Seats <i>Requires leather (2xx), Nappa leather (8xx), or designo nappa leather upholstery</i> <i>Requires P01, P02 or P03 Premium Packages</i> <i>Not available with heated front seats (873)</i>	All Models	\$ 450
413	Panorama Roof	All Models	\$ 1,000
432	Active Multicontour Front Seats w/ Massage Feature <i>Not available with heated front seats (873)</i> <i>Requires P01, P02, P03 Premium Packages or Warmth and Comfort Package (445)</i> ▪ 902 – Rapid Heating Functionality for Front Seats ▪ 436 – Luxury Front Headrests	All Models	\$ 1,770
443	Heated Steering Wheel	All Models	\$ 250
489	AIR BODY CONTROL air suspension	All Models	\$ 1,900
536	SiriusXM® Radio w/ Free Trial Period <i>Not available with P01, P02 or P03 Premium Packages</i>	All Models	\$ 460
581	3-Zone climate control	All Models	\$ 760
608	Adaptive Highbeam Assist <i>Not available with P02 or P03 Package</i>	All Models	\$ 250

# Stand-Alone Options



<i>Code</i>	<i>Options</i>	<i>Availability</i>	<i>MSRP</i>
293	Rear side air bags	All Models	\$ 420
883	Soft-close doors	All Models	\$ 550
866	Rear Seat Entertainment and Comfort Adapter	All Models	\$ 170

<i>Code</i>	<i>Special Order Options (additional charge of \$250)</i>	<i>Availability</i>	<i>MSRP</i>
RQJ	18" AMG 5-Spoke Wheels with Summer Tires <i>Requires AMG Line Exterior (322)</i>	All Models	\$ 0
313	Manual Rear-Side Window Sunshades <i>Includes Code P09 Sun Protection Package code Requires P02 or P03 Premium Package</i>	All Models	\$ 380
872	Heated Rear Seats <i>Requires one of the following heated front seat options: 873, P01, P02, P03, 432, 445 or 401 Requires Leather(2xx), Nappa leather (8xx), or designo Nappa leather upholstery</i>	All Models	\$ 580

<i>Code</i>	<i>Mercedes-Benz Accessories Program</i>	<i>Availability</i>	<i>MSRP</i>
00A	Illuminated Star <i>Not available with Premium Package (P03) or Luxury Line (167)</i>	All Models	\$ 450
068	Wheel Locks	All Models	\$ 150
070	Chrome Door Handle Inserts (Set of 4)	All Models	\$ 100
11A	Black Mirror Housing	All Models	\$ 250
104	Rear Spoiler	All Models	\$ 350
129	Accessory Styling Package (rear & roof spoilers) <i>Not available with Rear Spoiler (104)</i>	All Models	\$ 650
137	Comfort Box	All Models	\$ 300



## Headlamps



### **LED headlamps (632)**

*Standard*

- All functions feature LED technology
- Excellent illumination of the road
- Distinctive look during day and night
- Integrated LED daytime running lamps
- Projector LED low-beam and reflective LED high-beam technology
- LED taillamps (w/stardust effect)
- Low energy consumption
- Much longer bulb life



### **LED Intelligent Light System (640)**

*Optional*

*Included in Premium 2 Package (P02)*

All functions of the standard LED headlamps plus:

- Automatic high-beam control by Adaptive Highbeam Assist
- Automatically activated cornering lights
- Active light function for significantly better illumination in bends
- Pairs w/ standard LED taillamps







## Steering Wheels



### **3-Spoke multifunction steering wheel (L3C)**

*Standard*

- The all new 3-spoke steering wheel in Nappa leather comes with unique Touch Control Buttons in the control panels on the left and right.
- The steering wheel is embossed in the center grip area.
- Galvanized shift paddles, available only with Luxury Line (167)



### **Wood/leather steering wheel (L3D)**

*Optional*

*Requires Burl Walnut wood trim (731)*

*Not available with heated steering wheel (443)*

- The combination of high-quality leather in the grip area and fine wood inserts at the top and bottom make this steering wheel a visual and tactical highlight.
- Galvanized shift paddles



### **Heated Steering Wheel (443)**

*Optional*

*Not available with wood/leather steering wheel (L3D)*

- On cold days, heating of the steering wheel rim very rapidly ensures cozy temperatures of the grip area and thus also warm hands.
- The switch for turning the heating on and off is positioned on the steering column.
- Galvanized shift paddles

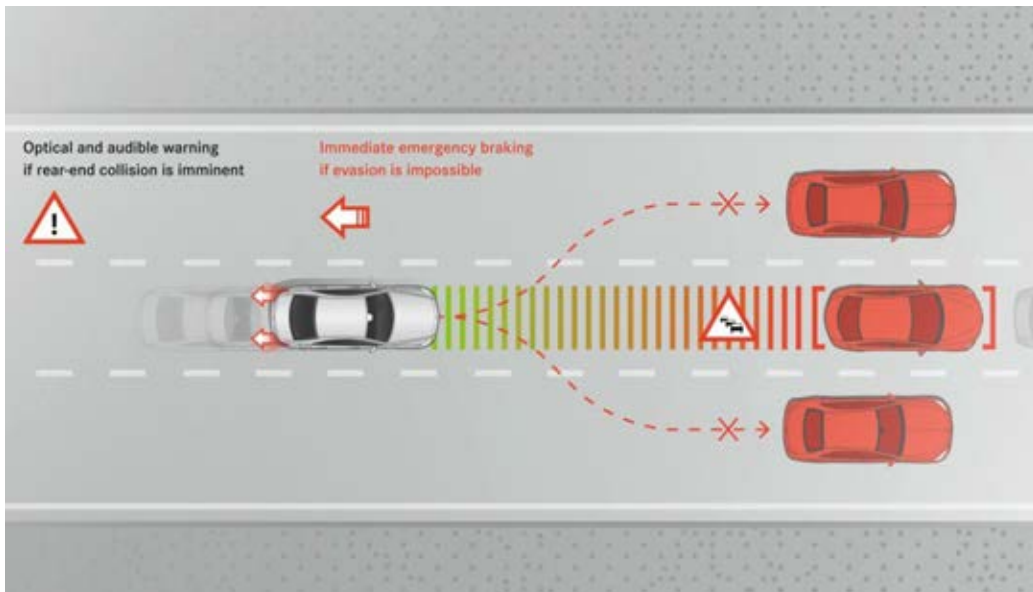
## *Active Brake Assist*



### Active Brake Assist

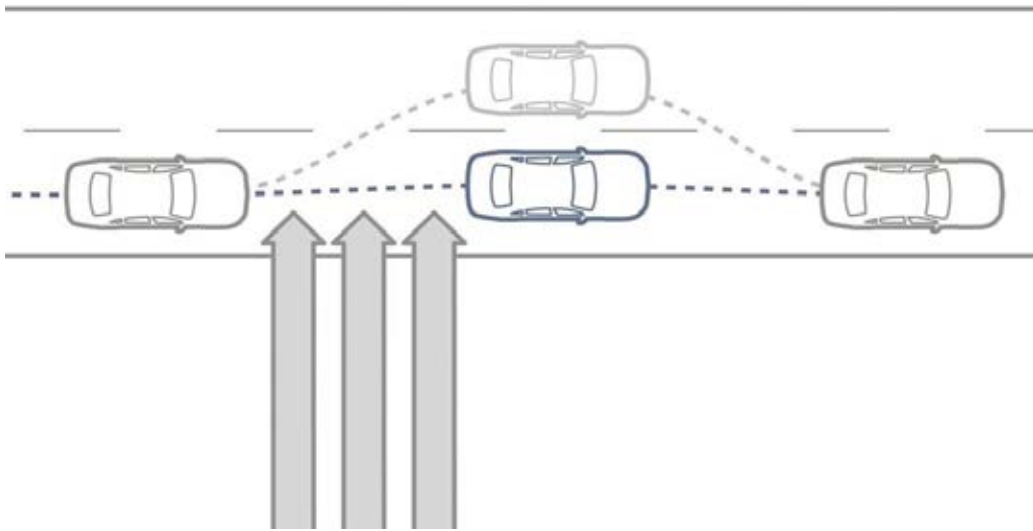
*Standard on all models*

- Radar-based driving assistance system that can help prevent accidents with vehicles ahead and with crossing pedestrians or mitigate the consequences of accidents
- Combination of proximity warning, collision warning, on-demand braking assistance and autonomous braking function
- Additional audible warning if the distance diminishes rapidly
- If the driver initiates emergency braking – if necessary – increase in braking pressure by the on-demand braking assistance
- Initiation of autonomous braking if the driver fails to react
- Visual and audible warning plus almost simultaneous emergency braking if an impending collision with a **crossing pedestrian** is detected





## *Crosswind Assist*



### **Crosswind Assist**

*Standard on all models*

- Traditionally, strong gusts of wind may lead to sudden lateral drift of the vehicle
- Crosswind Assist aids the driver by reducing the vehicle's lateral drift substantially in windy driving conditions
- Crosswind Assist is integrated into the ESP® sensor system and enables the timely detection of gusts of crosswind
- Automatic brake intervention on the wheels on the side of the vehicle facing the wind results in a motion which counteracts the crosswind
- Crosswind Assist substantially enhances the driver's sense of control, stability and safety



## ***AIR BODY CONTROL (489)***



### **AIR BODY CONTROL air suspension (489)**

*Option Price: \$1,900*

- Multi-chamber air suspension combined with continuously adjustable damping to improve ride comfort and driving dynamics
- Vehicle characteristics can be varied from comfortable through to sporty using DYNAMIC SELECT switch
- "Comfort" and "Sport" settings for a more comfortable or stiffer, sportier setup
- Constant vehicle level irrespective of load thanks to pneumatic all-round self-levelling suspension
- Suspension level can be raised for poor surfaces and is automatically lowered at high speeds, helping to reduce aerodynamic drag and further improve handling stability
- Selective luggage compartment lowering not applicable on E300/E300 4M



## ***Burmester® Surround Sound System (810)***



### **Burmester® Surround Sound System (810)**

*Included in Premium 1 Package (P01)*

- 13 high-performance speakers precisely configured for the vehicle interior to ensure well-balanced and very dynamic music reproduction
- 9-channel DSP amplifier with a total output of 590 watts (7 x 50 W and 2 x 120 W) for maximum sound quality with very high volume reserves
- Frontbass® technology with woofers integrated into the dash for vibrant bass reproduction
- Combination of digital and analogue filter elements for the unique Burmester® "feel-good sound"
- Sound optimization for the front and rear seats
- Noise compensation (VNC)
- Sound preset: surround function to generate virtual all-round sound
- Support for popular multi-channel formats such as Dolby Digital 5.1/DTS for example, for true surround sound



## *Mercedes-Benz Intelligent Drive – Overview*

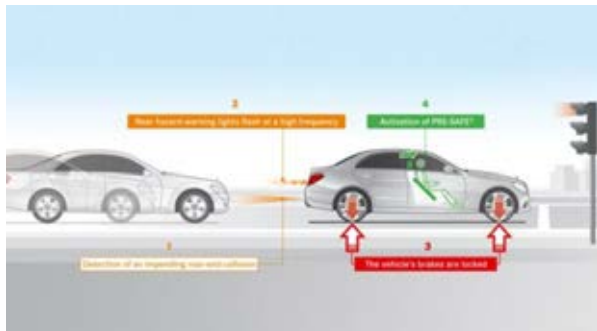


### **Mercedes-Benz Intelligent Drive – Overview**

*Included in Premium 3 Package (P03)*

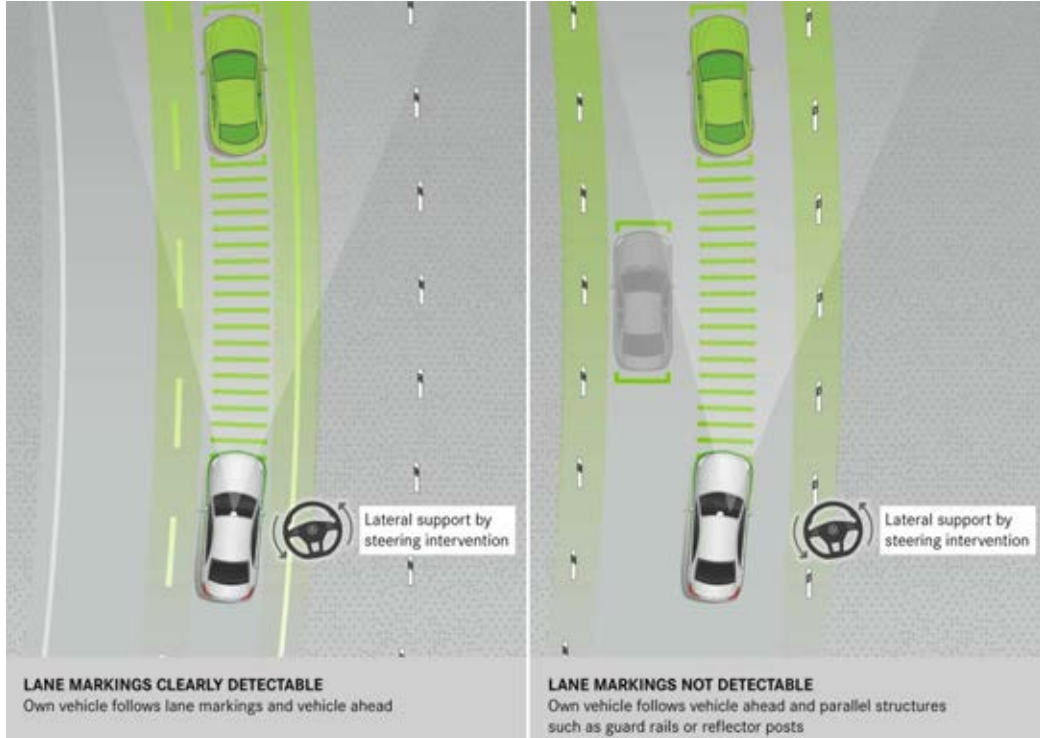
“Mercedes-Benz Intelligent Drive” is a gateway to a more autonomous & accident-free driving which increases safety for all drivers on the road. The following lists all features that are available with the all new E-Class:

- Active Distance Assist DISTRONIC®, Active Steering Assist, Active Lane Change Assist, Active Emergency Stop Assist, and Active Speed Limit Assist
- **Active Brake Assist with Cross-Traffic Function**
- **Evasive Steering Assist**
- PRE-SAFE® PLUS
- **PRE-SAFE® Impulse Side**
- Active Lane Keeping Assist
- Active Blind Spot Assist





## *Mercedes-Benz Intelligent Drive*



### **Mercedes-Benz Intelligent Drive**

*Included in Premium 3 Package (P03)*

- Active Steering Assist generates steering torque which helps the driver to keep the vehicle in the center of its lane (straight roads and slight bends), taking its guidance from vehicles ahead and road lane markings
- Active Lane Change Assist helps the driver with changing lanes by means of steering torque when the driver initiates the change by activating the turn indicator and the system does not detect another vehicle in the adjacent lane
- Extended tolerance for the hands-off warning of Active Steering Assist with intelligent hands-on detection
- Active Emergency Stop Assist brakes the vehicle to a controlled stop if the system detects that the driver is permanently distracted or is no longer able to operate the vehicle
- Active Distance Assist DISTRONIC® maintains the selected distance from the vehicle in front, and works in the speed range from 0 – 130 mph, also reacting to stationary vehicles at low speeds





## *Mercedes-Benz Intelligent Drive – Active Brake Assist with Cross-Traffic Function*



### **Mercedes-Benz Intelligent Drive – Active Brake Assist with Cross-Traffic Function**

*Included in Premium 3 Package (P03)*

- The system is able to reduce the risk of collisions and accidents at road junctions
- Monitoring of traffic situation ahead of the vehicle by means of radar sensors and stereo multipurpose cameras
- Vehicles travelling ahead are detected up to a speed of 130 mph
- Crossing traffic and bicyclists are registered up to a speed of 45 mph, as well as pedestrians who are stationary or moving slowly in the path of the vehicle
- When danger of a collision is detected, the system gives a visual and audible warning and brakes
- If the driver firmly applies the brakes, the system calculates the brake pressure that would be needed to prevent a collision
- If a collision cannot be prevented, the impact speed is reduced as much as possible by emergency braking





## *Mercedes-Benz Intelligent Drive – Evasive Steering Assist*



### **Mercedes-Benz Intelligent Drive – Evasive Steering Assist**

*Included in Premium 3 Package (P03)*

- When the driver deliberately or instinctively performs an evasive maneuver in a dangerous situation (pedestrian crossing the street), Evasive Steering Assist provides assistance by adding precisely calculated steering torque to support the movement of the steering wheel
- This helps the driver to avoid a pedestrian in a controlled manner while subsequently facilitating the movement of the vehicle to allow the situation be negotiated safely





## *Mercedes-Benz Intelligent Drive – PRE-SAFE Impulse Side*



### **Mercedes-Benz Intelligent Drive – PRE-SAFE® Impulse Side**

*Included in Premium 3 Package (P03)*

- PRE-SAFE® Impulse Side initiates preventative protective measures against an impending side impact, supplementing the measures taken by PRE-SAFE® and PRE-SAFE® PLUS
- In the event of a side impact, PRE-SAFE® Impulse Side can have a positive effect by increasing the distance between the occupant and the door, and at the same time reducing the relative speeds between the side structure and the occupant's torso
- In the event of a recognized, unavoidable side collision, the system can give the driver or front passenger a slight push towards the center of the vehicle on the side facing the impact
- This lateral impulse is initiated by very rapid inflation of an air chamber in the seat bolster





## *Natural Grain Black Ash wood trim (736) & Natural Grain Brown Ash wood (H09) w/ matching center console*



Natural Grain Black Ash wood center console



Natural Grain Brown Ash wood center console

Details on Image might differ from actual center console



## *designo Black/Titanium Grey Pearl (P62)*





## *designo Macchiato Beige/Saddle Brown (P87)*





## *Panorama roof (413)*



**Panorama roof (413)**  
Option Price: \$1,090

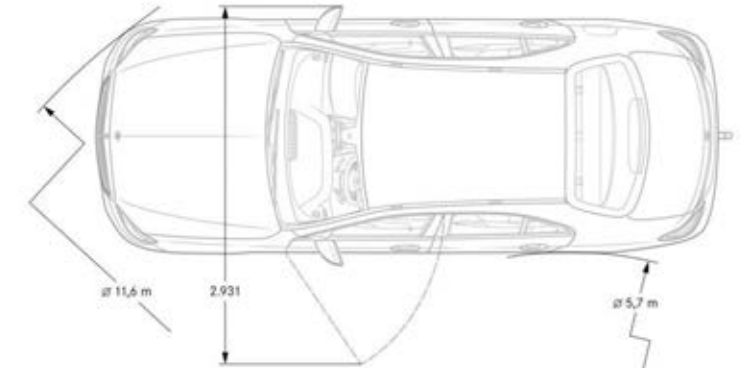
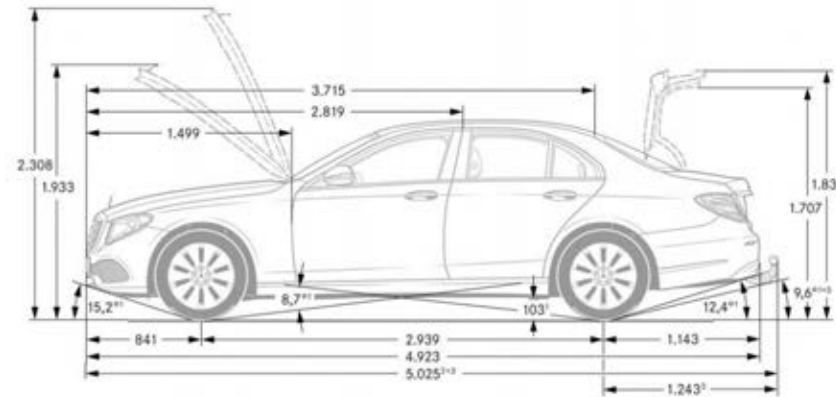
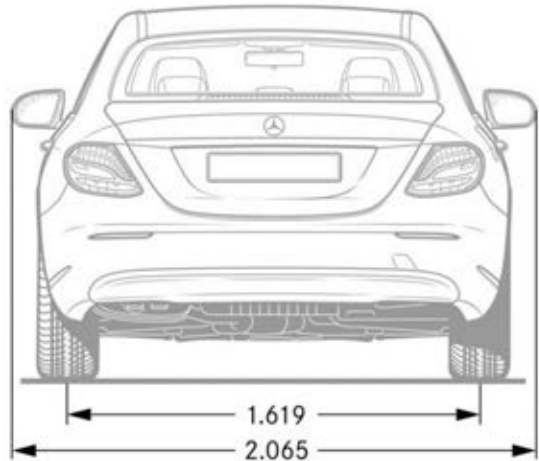
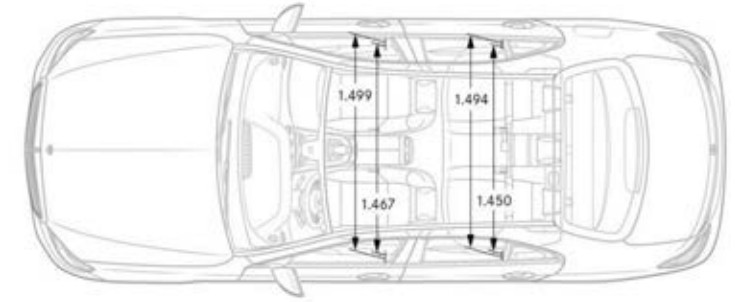
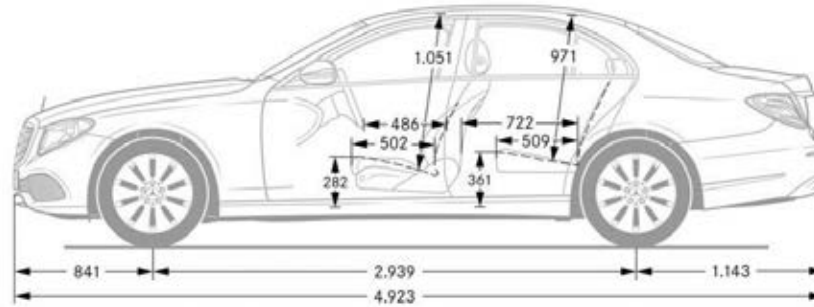
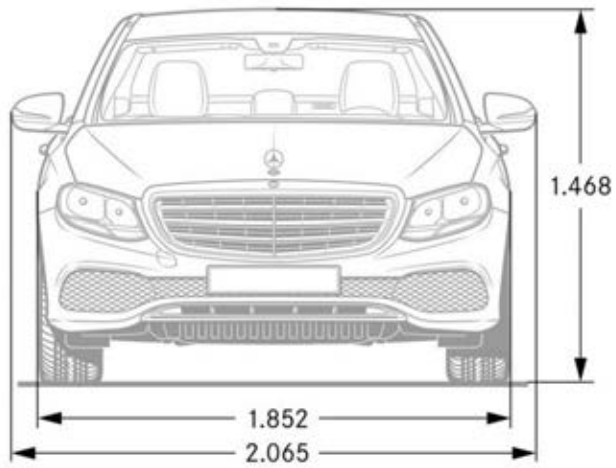




	<i>E 300</i>	<i>E 300 4MATIC</i>
Engine Configuration	2.0L inline-4 turbo engine	2.0L inline-4 turbo engine
Power (hp)	241	241
Torque (lb-ft)	273	273
Displacement (cc)	1,991	1,991
Acceleration 0-60 mph (sec)	6.2	6.3
Fuel Economy (Cty/Hwy/Comb)	tba	tba
Top Speed (mph)	130	130
Fuel Requirement (Octane)	91	91
# Valves per cylinder	4	4
Compression	9.8:1	9.8:1
Transmission	9G-TRONIC 9-Speed Automatic Transmission	9G-TRONIC 9-Speed Automatic Transmission
Transmission Speeds	9	9
Drive Configuration	Rear-wheel drive	All-wheel drive
Fuel Tank Size (gallons)	17.4	17.4
Trunk Size (cubic feet)	13.1	13.1
Curb Weight (lbs)	3,792	3,891
Vehicle Length (in.)	193.8	193.8
Vehicle Width w/ exterior mirrors (in.)	81.3	81.3
Vehicle Height (in.)	58.4 (Luxury Line)/57.8	58.4 (Luxury Line)/57.8
Wheelbase (in.)	115.7	115.7
Track Width Front/Rear (in.)	tba	tba



# Specifications\* – E 300/4MATIC (Luxury Line)





# AMG E-Class Sedan



W213

Model Year 2018

Preliminary – Subject to Change

**AMG**  
DRIVING PERFORMANCE

## E43 & E63 S



Models



What's new



Standard Equipment



Exterior Paint Colors



Wheels



Interior Upholstery



Interior Trims



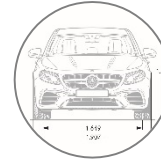
Option Packages



Stand-Alone Options



Options in Detail



Specifications



*AMG E43 (213.064)*


- MSRP \$72,400
- AMG-enhanced 3.0L V6 biturbo engine
- 396 hp
- 384lb-ft
- 4.5 sec (0-60 mph)
- Launch date: Summer/2017



*AMG E63 S (213.089)*

- MSRP \$104,400
- Handcrafted AMG 4.0L V8 biturbo engine
- 603 hp
- 627 lb-ft
- 3.3 sec (0-60 mph)
- Launch date: Summer/2017

## Standard Equipment

- AMG-enhanced 9G-TRONIC transmission w/ shift paddles (*E 43 only*)
- AMG SPEEDSHIFT® MCT 9-speed transmission (*E 63 S only*)
- AMG Performance 4MATIC (*E 43 only*)
- AMG Performance 4MATIC+ (*E 63 S only*)
- AMG DYNAMIC SELECT
- Blind Spot Assist
- KEYLESS-GO
- Power tilt/sliding sunroof
- Burmester® Surround Sound System
- 19" AMG wheels (*E 43 only*)
- 20" AMG wheels (*E 63 S only*)
- Static LED Headlamps
- AMG Dynamic Engine Mounts (*E 63 S only*)
- Inductive Wireless Charging w/ NFC Pairing 

## Optional Equipment

- Soft-close doors
- 3-zone climate control
- AMG Nut Brown Nappa leather
- AMG Macchiato Beige Nappa leather
- *designo* Magnolia w/ Flowing Lines wood
- *designo* Black Piano Lacquer Flowing Lines wood
- Metal Weave trim
- Intelligent Drive systems
- Warmth & Comfort Package
- Acoustic Comfort Package
- Edition 1 Package (*E 63 S Only - Non-Orderable*)

## Paints

- Selenite Grey metallic
- *designo* Selenite Grey Magno
- Piedmont Green metallic

## Exterior - 2016 E 63 S (W212) vs. 2018 E 63 S (W213)



## *Interior - 2016 E 63 S (W212) vs. 2018 E 63 S (W213)*



## *Performance - 2016 E 63 S (W212) vs. 2018 E 63 S (W213)*

	<i>2016 E 63 S</i>	<i>2018 E 63 S</i>
Engine Configuration	Handcrafted AMG 5.5L V8 Biturbo engine	Handcrafted AMG 4.0L V8 Biturbo engine
Power (hp)	577	603
Torque (lb-ft)	590	627
Displacement (cc)	5,461	3,982
Acceleration 0-60 mph (sec)	3.5	3.3
Top Speed (mph)	186 (electronically limited)	186 (electronically limited)
# Valves per cylinder	4	4
Compression	10.50 : 1	8.6:1
Transmission	AMG SPEEDSHIFT MCT	AMG SPEEDSHIFT MCT
Transmission Speeds	7	9
Drive Configuration	AMG Performance 4MATIC all-wheel drive with 33:67 fixed torque split	AMG Performance 4MATIC+ all-wheel drive with fully variable torque distribution

## Handcrafted AMG 4.0L V8 biturbo engine (M177 E40DEH LA AMG)



### Handcrafted AMG 4.0L V8 Biturbo engine (M177 E40DEH LA AMG)

Standard (E63S only)

- **Aluminum crankcase** featuring a racing inspired closed-deck design
  - The area around the cylinders' coolant enclosure is closed off at the top and is only perforated by cooling channels
  - This makes the engine block more rigid and able to withstand greater loads
- **Forged, lightweight aluminum pistons** – high performance and low weight
- **Two Twin-scroll turbochargers** with separate exhaust channels
  - Positioned between the cylinder heads for faster response
  - Inspired by Formula 1
  - Keeps engine compact, improves turbo response and lowers emissions
  - Separate exhaust channels prevent turbos from having a negative impact on each other during load/directional changes, and enables faster spooling/buildup of turbo pressure
- **Dynamic Engine Mounts** – Adjust to DYNAMIC SELECT mode and driving conditions
  - “Soft Mounts” for Comfort – Reduces engine noise and vibration
  - “Hard Mounts” for Sport – Increases steering precision
- **Variably Adjustable Inlet and Outlet Valves**
  - Filled with sodium
  - Light weight



## *AMG Performance 4MATIC+*



### **AMG Performance 4MATIC+**

*Standard (E 63 S only)*

The performance-oriented all-wheel drive with fully variable torque distribution combines optimal traction, hallmark AMG driving dynamics, and the ultimate in driving enjoyment. It enhances driving safety and adhesion on wet or wintry road surfaces while at the same time allowing an emotional drifting experience. This is made possible by the fully variable torque distribution, offering the driver the benefits of all-wheel drive and rear-wheel drive in equal proportions.

An electronically controlled clutch provides for variable connection of the permanently-driven rear axle with the front axle. The ideal torque distribution is calculated continuously, according to the given driving situation and the driver's wishes. This enables a seamless transition from traction-oriented all-wheel drive to 100% rear-wheel drive. In addition to traction and transverse dynamics, the all-wheel drive also improves the longitudinal dynamics of the vehicle for even more dynamic acceleration.

- Combines the advantages of an all-wheel drive with those of a rear-wheel drive: optimum traction, hallmark AMG vehicle dynamics, and maximum driving pleasure
- Drift capability, as fully variable torque distribution means that 100% rear-wheel drive is possible
- Improved handling safety and road holding on wet or wintry road surfaces
- Improved longitudinal dynamics for even more aggressive acceleration
- The compact, lightweight design avoids any loss of space in the interior

## AMG Sport Suspension based on AIR BODY CONTROL



### AMG Sport Suspension based on AIR BODY CONTROL

*Standard on all models*

#### Features of the AMG Sport Suspension based on AIR BODY CONTROL with continuously adjustable damping:

- Air suspension struts at the front and rear axle
- Dampers with separate valves for adjusting the compression and rebound phases
- Sensors for damping and level control
- Camber stability increased by 30% vs. previous W212 E63
- Vehicle characteristics can be varied from comfortable through to sporty using the DYNAMIC SELECT switch
- Constant vehicle level irrespective of load, thanks to pneumatic all-round self-levelling suspension
- Suspension level can be raised for poor surfaces and is automatically lowered at high speeds
- Four-link front axle design
  - Uses forged aluminum components with wishbones, strut rod and spring link.
- Multi-link rear axle design
  - Increased stiffness and wheel control
  - New design allows for wider rear track than previous W212 AMG
  - A tubular anti-roll bar (similar to what's found in the AMG GT R) reduces weight of rear axle

## AMG SPEEDSHIFT MCT 9-Speed Transmission



### **AMG SPEEDSHIFT MCT 9-Speed Transmission**

*Standard (E 63 S only)*

MCT stands for Multi-Clutch Transmission, whereby an innovative wet start-off clutch running in an oil bath replaces the conventional torque converter. Thanks to its low rotational inertia, the transmission responds instantaneously without the losses typical of a torque converter. This helps to reduce fuel consumption. A further merit of the MCT transmission is its low weight thanks to its magnesium housing.

#### **Added driving pleasure, added safety – the double-clutching function**

Ultra-fast, responsive, multiple downshifts are another forte of the AMG SPEEDSHIFT® MCT 9-speed transmission. The driver can change via kick down directly from 9th into 6th or from 5th into 2nd gear, for example. The automatic double-clutching function is active in drive programs "S", "S+", "RACE", and "M". Each manual or automatic downshift is accompanied by a precisely metered blip on the throttle – with rising intensity from "S" through to "RACE" and "M". This not only heightens the emotional appeal: downshifting minimizes the load cycles, which has a particularly positive effect when braking into corners and makes for improved handling safety on wet and slippery surfaces.

#### **For a perfect start – the RACE START function**

The RACE START function ensures optimal acceleration from a standing start. It can be activated when the vehicle is stationary in the AMG DYNAMIC SELECT drive programs "S", "S+" or "RACE". To activate, the driver is required to hold down the brake pedal with their left foot while simultaneously flooring the accelerator pedal (kick down). The driver can then increase or lower the pulling-away engine speed as appropriate, according to the prevailing road conditions. When the driver now releases the brakes while continuing to floor the accelerator pedal, the vehicle accelerates with the best possible traction.

## *Optimizing Efficiency*

---

- **AMG Cylinder Management**

- Cylinder deactivation system first introduced on the SLK55, but the use of it in the E63 S marks the first time Mercedes-AMG has put the system in a turbocharged car
- Activates automatically when:
  - Car is in 'Comfort' DYNAMIC SELECT Mode
  - Engine speed is between 1,000 and 3,250 RPM
- When deactivation occurs:
  - Cylinders 2, 3, 5 and 8 are shut down
  - AMG Main Menu informs driver that the system is in use


- **Transmission**

- When car is in 'Comfort,' the transmission is configured for the most fuel-efficient operation:
  - Transmission shifts up into higher gears noticeably earlier, lowering consumption and also engine noise
  - Gliding function uncouples the engine from the drivetrain to 'glide' at idle speed, for instance on a long downhill stretch
    - Gliding occurs between 37 and 99 mph. When driver lifts foot off of gas, transmission opens clutch and engine is decoupled from drivetrain
  - Comfort is also tuned for a 'soft' accelerator pedal curve/perceived power deliver and less aggressive gear changes for a smoother driving experience

## Performance & Handling

- AMG-enhanced 3.0L V6 Biturbo engine (E43)
- Handcrafted AMG 4.0L V8 Biturbo engine (E63 S)
- AMG-enhanced 9G-TRONIC transmission (E43)
- AMG SPEEDSHIFT® MCT 9-speed transmission (E63 S)
- AMG Performance 4AMTIC (E43)
- AMG Performance 4MATIC+ all-wheel drive (E63 S)
- AMG Sport Suspension based on AIR BODY CONTROL
- 19" & 20" AMG wheels
- AMG DYNAMIC SELECT
- Dynamic engine mounts (E63 S)
- Differential, AMG electronic limited-slip (E63 S)
- AMG exhaust with single exhaust flap (E63 S)

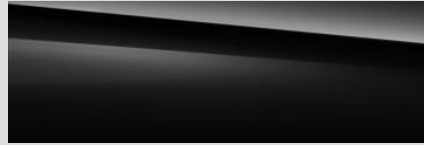
## Comfort & Convenience

- 64-color Ambient lighting
- Bluetooth® connectivity
- COMAND® navigation
- LED headlamps
- Power front seats w/ 3-position memory and 4-way power driver's lumbar support
- Power tilt/sliding sunroof
- Smartphone Integration with Apple CarPlay™ & Android Auto
- 40/20/40-split folding rear seats
- Sport steering wheel with Touch Control Buttons
- Touchpad w/ central controller
- 5 years of mbrace® Connect
- Active Parking Assist
- SiriusXM® All-Access w/ trial period
- KEYLESS-START
- Comfort Package
- KEYLESS-GO® with HANDS-FREE ACCESS
- Electronic trunk closer
- IWC "Ingenieur" analog clock
- Heated and ventilated front seats (E63 S only)
- AMG Nappa leather upholstery (E63 S only)
- Inductive Wireless Charging w/ NFC Pairing 

## Safety & Security

- Active Brake Assist
- ATTENTION ASSIST®
- Car-to-X Communication
- Crosswind Assist
- LED headlamps and taillamps
- PRE-SAFE®
- PRE-SAFE® Sound
- Tire Pressure Monitoring System (TPMS)
- Blind Spot Assist
- Rearview Camera

## Non-metallic Paints



040  
Black  
*Option price: \$0*



149  
Polar White  
*Option price: \$0*

## Metallic Paints



197  
Obsidian Black  
*Option price: \$720*



775  
Iridium Silver  
*Option price: \$720*



796  
Dakota Brown  
*Option price: \$720*



890  
Lunar Blue *Option price: \$720*



988  
Diamond Silver  
*Option price: \$720*



992  
Selenite Grey  
*Option price: \$720*



997  
Piedmont Green  
*Option price: \$720*

## *designo*<sup>®</sup> Paints



996  
Cardinal Red *Option price: \$1,080*



799  
Diamond White  
*Option price: \$1,515*



297  
Selenite Grey Magno  
*Option price: \$3,950*



**RTE**  
 19" AMG Twin 5-Spoke Wheels  
 w/ Black Accents  
 R02, R66  
 Option price: \$0  
 E43 Only



**RTN**  
 20" AMG Twin 5-Spoke Wheels  
 w/ Grey Accents  
 R01, R66  
 Option price: \$750  
 E43 Only



**RTO**  
 20" AMG Twin 5-Spoke Wheels  
 w/ Black Accents  
 R01, R66  
 Option price: \$750  
 E43 Only



**RVQ**  
 20" AMG Multi-Spoke Wheels  
 w/ Grey Accents  
 R01, R66  
 Option price: \$750  
 E43 Only



**RVR**  
 20" AMG Multi-Spoke Wheels  
 w/ Black Accents  
 R01, R66  
 Option price: \$750  
 E43 Only



**RTM**  
 20" AMG Twin 5-Spoke Wheels  
 w/ Grey Accents  
 R01, B51  
 Option price: \$0  
 E63 S Only



**RTQ**  
 20" AMG Twin 5-Spoke Wheels  
 w/ Matte Grey Accents  
 R01, B51  
 Option price: \$tba



**RTP**  
 20" AMG Twin 5-Spoke Wheels  
 w/ Black Accents  
 R01, B51  
 Option price: \$tba  
 E63 S Only



**RTR**  
 20" AMG Forged Cross-Spoke  
 Wheels w/ Grey Accents  
 R01, B51  
 Option price: \$tba  
 E63 S Only



**RTS**  
 20" AMG Forged Cross-Spoke  
 Wheels, Matte Black  
 R01, B51  
 Option price: \$1,700  
 E63 S Only

<i>Code</i>	<i>Wheel Size</i>	<i>Description</i>	<i>Wheel Dimensions</i>		<i>Mobility</i>	<i>MSRP</i>
RTE	19"	AMG Twin 5-Spoke Wheels w/ Black Accents	245/40 R 19 on 8 J x 19 ET 20 275/35 R 19 on 9 J x 19 ET 49	(Front) (Rear)	R02, R66	\$ 0
RTN	20"	AMG Twin 5-Spoke Wheels w/ Grey Accents	245/35 ZR 20 on 8 J x 20H2 ET 20 275/30 ZR 20 on 9 J x 20H2 ET 49	(Front) (Rear)	R01, R66	\$ 750
RTO	20"	AMG Twin 5-Spoke Wheels w/ Black Accents	245/35 ZR 20 on 8 J x 20H2 ET 20 275/30 ZR 20 on 9 J x 20H2 ET 49	(Front) (Rear)	R01, R66	\$ 750
RVQ	20"	AMG Multi-Spoke Wheels w/ Grey Accents	245/35 R 20 on 8 J x 20 ET 43 275/30 R 20 on 9 J x 20 ET 49	(Front) (Rear)	R01, R66	\$ 750
RVR	20"	AMG Multi-Spoke Wheels w/ Black Accents	245/35 R 20 on 8 J x 20 ET 43 275/30 R 20 on 9 J x 20 ET 49	(Front) (Rear)	R01, R66	\$ 750
RTM	20"	AMG Twin 5-Spoke Wheels w/ Grey Accents	265/35 ZR20 on 9.5J x 20H2 ET25 295/30 ZR20 on 10.0J x 20H2 ET55	(Front) (Rear)	R01, B51	\$ 0
RTQ	20"	AMG Twin 5-Spoke Wheels w/ Matte Grey Accents	265/35 ZR20 on 9.5J x 20H2 ET25 295/30 ZR20 on 10.0J x 20H2 ET55	(Front) (Rear)	R01, B51	\$ tba
RTP	20"	AMG Twin 5-Spoke Wheels w/ Black Accents	265/35 ZR20 on 9.5J x 20H2 ET25 295/30 ZR20 on 10.0J x 20H2 ET55	(Front) (Rear)	R01, B51	\$ tba
RTR	20"	AMG Forged Cross-Spoke Wheels w/ Grey Accents	265/35 ZR20 on 9.5J x 20H2 ET25 295/30 ZR20 on 10.0J x 20H2 ET55	(Front) (Rear)	R01, B51	\$ tba
RTS	20"	AMG Forged Cross-Spoke Wheels, Black	265/35 ZR20 on 9.5J x 20H2 ET25 295/30 ZR20 on 10.0J x 20H2 ET55	(Front) (Rear)	R01, B51	\$ 1,700





621

MB-TeX/DINAMICA – Black w/ Red Topstitching

*Option price: \$0*

*E43 Only*

# Interior Upholstery – AMG Nappa Leather



821  
Black w/ Red Topstitching  
Option price: \$tba  
E43 Only



861  
Black  
Option price: \$ tba  
E43 Only



864  
Nut Brown/Black  
Option price: \$ tba  
E43 Only



865  
Macchiato Beige/Black  
Option price: \$ tba  
E43 Only

# Interior Upholstery – Exclusive Nappa Leather



554  
Nut Brown/Black  
Option price: \$0

*Image shows optional AMG Performance seats (555)*



555  
Macchiato Beige/Black  
Option price: \$0



561  
Black w/ Silver Topstitching  
Option price: \$0  
*Image shows optional AMG Performance seats (555)*

<i>Code</i>	<i>Upholstery</i>	<i>Seats</i>	<i>Floor Mats</i>	<i>Upper Dash/Lower Dash</i>	<i>Seat Belts</i>	<i>Steering Wheel</i>	<i>Headliner</i>
621	Black MB-Tex/DINAMICA w/ Red Topstitching	Black	Black	Black/Black	Red or Black	Black	Black
821	Black w/ Red Topstitching AMG Nappa Leather	Black	Black	Black/Black	Red or Black	Black	Black
861	Black AMG Nappa Leather	Black	Black	Black/Black	Black	Black	Black
864	Nut Brown/Black AMG Nappa Leather	Nut Brown	Black	Black/Nut Brown	Black	Black	Black
865	Macchiato Beige/Black Nappa Leather	Macchiato Beige	Black	Black/Macchiato Beige	Black	Black	Black
554	Nut Brown AMG Exclusive Nappa leather	Nut Brown	Black	Black/Nut Brown	Black	Black	Black
555	Macchiato Beige AMG Exclusive Nappa leather	Macchiato Beige	Black	Black/Macchiato Beige	Black	Black	Black or Macchiato Beige
561	Black w/ Silver Topstitching AMG Exclusive Nappa leather	Black	Black	Black/Black	Silver or Black	Black	Black



739

Trapeze Cut Aluminum trim

Option price: \$0

Includes Black Piano Lacquer Center Console (728)



H06

High Gloss Brown ash wood trim

Option price: \$0

Includes Black Piano Lacquer Center Console (728)

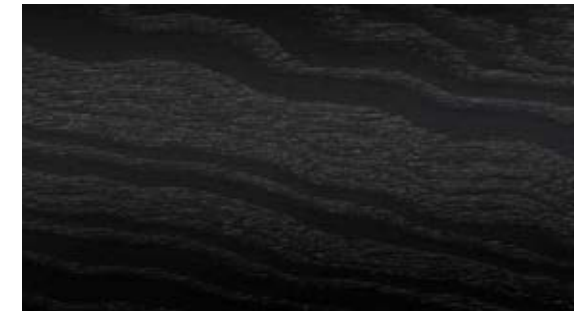


H09

Natural Grain Brown ash wood trim

Option price: \$tba

Includes Natural Grain Brown Ash Wood Center Console (730) !

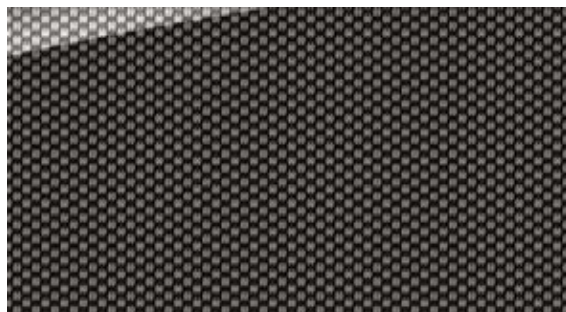


736

Natural Grain Black ash wood trim

Option price: \$tba

Includes Natural Grain Black Ash Wood Center Console (737) !



H64

Metal Weave trim

Option price: \$600

Includes Black Piano Lacquer Center Console (728)



H16

designo Black Piano Lacquer Flowing lines wood trim

Option price: \$tba

Includes Black Piano Lacquer Center Console (728)



H26

designo Magnolia w/ Flowing lines wood trim

Option price: \$tba

Includes Black Piano Lacquer Center Console (728)



H73 !

AMG Carbon Fiber trim

Option price: \$2,850

Includes AMG Carbon Fiber Center Console (732) !

# Interior Trims – Center Console Trim



728

Center Console in Black Piano Lacquer

*Included w/ upper trims 739, H06, H64, H16 & H26*



730 !

Center Console in Natural Grain Brown Ash wood

*Requires Natural Grain Brown Ash wood trim (H09)*



737 !

Center Console in Natural Grain Black Ash Wood

*Requires Natural Grain Black Ash wood trim (736)*



732 !

Center Console in AMG Carbon Fiber  
*Requires AMG Carbon Fiber trim (H73)*

Details on Image might differ from actual center console

<i>Code</i>	<i>Packages</i>	<i>Availability</i>	<i>MSRP</i>
P02	<p><b>Premium 2 Package</b></p> <ul style="list-style-type: none"> <li>▪ P21 – AIR BALANCE Package</li> <li>▪ P35 – Lighting Package                             <ul style="list-style-type: none"> <li>▪ 640 - LED Intelligent Light System</li> <li>▪ 608 - Adaptive Highbeam Assist</li> </ul> </li> <li>▪ 540 – Power Rear Window Sunshade</li> </ul>	E 43	\$ 3,700
P03	<p><b>Premium 3 Package</b></p> <p><i>Not available with AMG Performance Seats (555).</i></p> <p><i>Includes all Premium 2 Package (P02) features plus:</i></p> <ul style="list-style-type: none"> <li>▪ P20 – Driving Assistance Package Plus:                             <ul style="list-style-type: none"> <li>▪ 292 - PRE-SAFE® Impulse Side</li> <li>▪ Active Brake Assist with Cross-Traffic Function</li> <li>▪ Active Blind Spot Assist</li> <li>▪ Active Lane Keeping Assist</li> <li>▪ Active Distance Assist DISTRONIC® and Active Steering Assist</li> <li>▪ PRE-SAFE® PLUS</li> </ul> </li> <li>▪ P47 – Parking Assist Package code:                             <ul style="list-style-type: none"> <li>▪ 501 - Surround View System</li> <li>▪ 513 – Speed Limit Assist</li> </ul> </li> <li>▪ 463 – Head-Up display</li> </ul>	E 43	\$ 7,300

<i>Code</i>	<i>Packages</i>	<i>Availability</i>	<i>MSRP</i>
P04	<p><b>AMG Premium Package for AMG Performance Seats</b>  <i>Requires AMG Performance Seats (555).</i>  <i>Includes all Premium 2 Package (P02) features plus:</i></p> <ul style="list-style-type: none"> <li>▪ 23P – Driver Assistance Package:                             <ul style="list-style-type: none"> <li>▪ Active Brake Assist with Cross-Traffic Function</li> <li>▪ Active Blind Spot Assist</li> <li>▪ Active Lane Keeping Assist</li> <li>▪ Active Distance Assist DISTRONIC® and Active Steering Assist</li> <li>▪ PRE-SAFE® PLUS</li> </ul> </li> <li>▪ P47 – Parking Package code:                             <ul style="list-style-type: none"> <li>▪ 501 Surround View System</li> <li>▪ 513 – Speed Limit Assist</li> </ul> </li> <li>▪ 463 – Head-Up display</li> </ul>	E 43	\$ tba



<i>Code</i>	<i>Packages</i>	<i>Availability</i>	<i>MSRP</i>
P03	<p><b>AMG Premium Package</b>  <i>Not available with AMG Performance Seats (555).</i></p> <ul style="list-style-type: none"> <li>▪ P20 - Driving Assistance Package Plus                             <ul style="list-style-type: none"> <li>▪ 292 - PRE-SAFE® Impulse Side</li> <li>▪ Active Brake Assist with Cross-Traffic Function</li> <li>▪ Active Blind Spot Assist and Active Lane Keeping Assist</li> <li>▪ Active Distance Assist DISTRONIC® and Active Steering Assist</li> <li>▪ PRE-SAFE® PLUS</li> </ul> </li> <li>▪ P47 - Parking Assist Package code                             <ul style="list-style-type: none"> <li>▪ 501 Surround View System</li> <li>▪ 513 - Speed Limit Assist</li> </ul> </li> <li>▪ 463 - Head-Up Display</li> <li>▪ 540 - Power Rear Window Sunshade</li> </ul>	E 63 S	\$ tba
P04	<p><b>AMG Premium Package for AMG Performance Seats</b>  <i>Requires AMG Performance seats (555).</i></p> <ul style="list-style-type: none"> <li>▪ 23P - Driver Assistance Package:                             <ul style="list-style-type: none"> <li>▪ Active Brake Assist with Cross-Traffic Function</li> <li>▪ Active Blind Spot Assist and Active Lane Keeping Assist</li> <li>▪ Active Distance Assist DISTRONIC® and Active Steering Assist</li> <li>▪ PRE-SAFE® PLUS</li> </ul> </li> <li>▪ P47 - Parking Assist Package code                             <ul style="list-style-type: none"> <li>▪ 501 Surround View System</li> <li>▪ 513 - Speed Limit Assist</li> </ul> </li> <li>▪ 463 - Head-Up Display</li> <li>▪ 540 - Power Rear Window Sunshade</li> </ul>	E 63 S	\$ 3,600

<i>Code</i>	<i>Packages</i>	<i>Availability</i>	<i>MSRP</i>
P88	<p><b>Edition 1</b> <i>Non-Orderable</i> Exterior features:</p> <ul style="list-style-type: none"> <li>▪ P60 – AMG Exterior Night Styling incl.: High-gloss black elements: front splitter, mirror housings, window frame trim, trim strip on rear apron Black Chrome elements: tailpipe in black chrome trim</li> <li>▪ U50 – AMG Night Package</li> <li>▪ RTS – 20” AMG Forged Cross-Spoke Wheels, Black</li> <li>▪ 056 – <i>designo</i> Night Black Magno</li> <li>▪ AMG side sports stripes in matte graphite grey (wrapped) above AMG side sill panels (deselection code U03)</li> <li>▪ B07 – AMG High-Performance Ceramic Composite Braking System</li> </ul> <p>Interior features:</p> <ul style="list-style-type: none"> <li>▪ 555 – AMG Performance seats w/ AMG Exclusive Nappa leather in black w/ yellow topstitching (571)</li> <li>▪ L6G – AMG Performance Steering Wheel in DINAMICA w/ yellow topstitching, black 12 o'clock marking and black electroplated bezel with "Edition 1" lettering and AMG aluminum shift paddles</li> <li>▪ H73 – AMG Carbon Fiber trim</li> <li>▪ AMG-specific analogue clock in IWC design with yellow highlights</li> <li>▪ U26 – Floor mats in black with "AMG" lettering and yellow edging</li> </ul>	E 63 S	\$ tba
PAF	<p><b>Acoustic Comfort Package</b></p> <ul style="list-style-type: none"> <li>▪ PAF – Acoustic Comfort Package <i>Increased Cabin Insulation, Windshield and Side Windows with Acoustic and Heat Absorbing Membrane</i></li> <li>▪ 596 – Infrared-reflecting glass</li> </ul>	All Models	\$ 1,100
445	<p><b>Warmth &amp; Comfort Package</b> <i>Not available with AMG Performance seats (555) or AMG Premium Package for AMG Performance Seats (P04)</i></p> <ul style="list-style-type: none"> <li>▪ P68 – Heated door panels &amp; center console</li> <li>▪ 906 – Heated armrest</li> <li>▪ 902 – Rapid Heating Functionality for Front Seats</li> </ul>	All Models	\$ tba

<i>Code</i>	<i>Packages</i>	<i>Availability</i>	<i>MSRP</i>
319	<b>AMG Advanced Lighting Package</b> <ul style="list-style-type: none"> <li>▪ P35 – Lighting Package code</li> <li>▪ 608 – Adaptive Highbeam Assist</li> <li>▪ 640 – LED Intelligent Lighting System</li> </ul>	E63 S	\$ 1,500
521	<b>AMG Night Package</b> <i>Can be combined with AMG Exterior Carbon Fiber Packages</i> P55 - AMG Exterior Night Styling (E43 Only) <ul style="list-style-type: none"> <li>▪ High-gloss black elements: front splitter, front flics, trim strip on rear apron Black Chrome elements: tailpipe in black chrome trim</li> <li>▪ P60 – AMG Exterior Night Styling (E63S Only) High-gloss black elements: front splitter, mirror housings, side fender inserts, window frame trim, trim strip on rear apron Black Chrome elements: tailpipe in black chrome trim</li> <li>▪ U50 – AMG Night Package</li> </ul>	All Models	\$ 750
B28	<b>AMG Exterior Carbon Fiber Package</b> <i>Can be combined with AMG Night Package (521)</i> <ul style="list-style-type: none"> <li>• AMG carbon fiber exterior mirror covers</li> <li>• AMG carbon fiber trunk lid spoiler</li> </ul>	E43	\$ 1,950
773	<b>AMG Exterior Carbon Fiber Package I</b> <i>Can be combined with AMG Night Package (521)</i> Carbon fiber elements: Front splitter, side fender inserts, side sill panel inserts, and insert in rear apron above rear diffuser	E63 S	\$ 2,950
B28	<b>AMG Exterior Carbon Fiber Package II</b> <i>Can be combined with AMG Night Package (521)</i> <ul style="list-style-type: none"> <li>• AMG carbon fiber exterior mirror covers</li> <li>• AMG carbon fiber trunk lid spoiler</li> </ul>	E63 S	\$ 1,750

<i>Code</i>	<i>Packages</i>	<i>Availability</i>	<i>MSRP</i>
313	<b>Sun Protection Package</b> <ul style="list-style-type: none"><li>▪ P09 – Sun Protection Package Code<ul style="list-style-type: none"><li>▪ Double sun visors for the driver and front passenger that extends with two folding sections</li></ul></li><li>▪ 313 – Rear window manual roller blinds</li></ul>	All Models	\$ 380

<i>Code</i>	<i>Options</i>	<i>Availability</i>	<i>MSRP</i>
U17	Omission of Red or Silver Seatbelts <i>Requires upholstery options: 621, 821, 561</i>	All Models	\$ 0
U80	115V AC Power Outlet	All Models	\$ X,XXX
61U	DINAMICA Black Headliner <i>E43: Requires Premium Package 2 (P02), Premium Package (P03) or Premium Package 4 (P04)</i> <i>E63 S: Requires AMG Premium Package (Q03) or AMG Premium Package for AMG Performance Seats (Q04)</i>	All Models	\$ 1,600
65U	DINAMICA Macchiato Beige Headliner <i>Requires Q03 or Q04 AMG Premium Package on the E 63 S.</i>	E63 S	\$ X,XXX
260	Deletion of Rear Deck Lid Badging	All Models	\$ 0
261	Deletion of Fender Badging	All Models	\$ 0
413	Panorama Roof	All Models	\$ 1,000
555	AMG Performance Seats <b>E 43:</b> <i>Not available with MB-Tex/DINAMICA upholstery (621), Premium Package 3 (P03) or active multicontour seats (432)</i> <b>E 63S:</b> <i>Not available with AMG Premium Package (Q03) or active multicontour seats (432) on the E 63S</i>	All Models	\$ 2,500
581	3-zone Climate Control	All Models	\$ 760
811	Burmester® High-End 3D Surround Sound System	All Models	\$ 4,550
866	Pre-Wiring for Rear Seat Entertainment	All Models	\$ X,XXX
872	Heated Rear Seats	All Models	\$ 580
883	Soft-close Doors	All Models	\$ 550

<i>Code</i>	<i>Options</i>	<i>Availability</i>	<i>MSRP</i>
432	Active Multi-Contour Front Seats with Massage Function <i>Not available with AMG Performance seats (555) . Requires Nappa Leather upholstery and Heated/Ventilated Front Seats (401).</i> • 902 – Rapid Heating Functionality for Front Seats	All models	\$ 1,320
401	Heated and Ventilated Front Seats	E 43	\$ X,XXX
256	AMG Track Pace App	E 43	\$ X,XXX
P21	AIR BALANCE Cabin Air Fragrance & Filtration System	E 63 S	\$ 350
U78	AMG Performance Exhaust System	E 63 S	\$ 1,250
B07	AMG High-Performance Ceramic Composite Braking System	E 63 S	\$ 8,950
B14	AMG Carbon Fiber Engine Cover	E 63 S	\$ X,XXX

<i>Code</i>	<i>VPC Installed Accessories</i>	<i>Availability</i>	<i>MSRP</i>
00A	Illuminated Star <i>Not with AMG Premium Packages P03, P04, Q03, Q04</i>	All Models	\$ X,XXX
068	Wheel locking bolts	All Models	\$ 150
070	Chrome door handle inserts	All Models	\$ X,XXX
137	Comfort Box	All Models	\$ X,XXX

<i>Code</i>	<i>Special Order Options (SPC)</i>	<i>Availability</i>	<i>MSRP</i>
293	Rear Side Airbags	All Models	\$ X,XXX

## Brakes



### **AMG Sport Brakes**

*Standard on E 43 (E43 only)*

4-piston front and 1-piston rear calipers

- Front axle: brake disc measuring 14.2 inch, internally ventilated and perforated with 4-piston fixed caliper
- Rear axle: brake discs measuring 14.2 inch, internally ventilated 1-piston floating caliper
- Grey-painted brake calipers with “AMG” lettering



### **AMG High-Performance Composite Braking System (U70)**

*Standard on E 63 S (E63S only)*

6-piston front and 1-piston rear calipers

- Front axle: composite brake disc measuring 15.4 x 1.4 inch, internally ventilated and perforated with 6-piston fixed caliper
- Rear axle: brake discs measuring 14.2 x 1.0 inch, internally ventilated and perforated with 1-piston floating caliper
- Increased fade resistance and reduced thermal deformation of brake discs
- Red-painted brake calipers with “AMG” lettering



### **AMG High-Performance Ceramic Composite Braking System (B07)**

*Option price: \$8,950 (E63S only)*

6-piston front and 1-piston rear calipers

- Front axle: composite ceramic disc with a diameter of 15.8 x 1.5 inch, internally ventilated and perforated, with 6-piston fixed caliper
- Rear axle: integral brake disc with a diameter of 14.2 x 1.3 inch, internally ventilated, perforated and grooved with 1-piston floating brake caliper
- 40% weight savings compared to conventional brake discs
- Bronze-painted brake calipers with “AMG Carbon Ceramic” lettering

## *Steering Wheels*



### **Multifunction Sport Steering Wheel in Nappa Leather (L5C)**

*Standard on the E43.*

*N/A on the E 63 S.*

- Features a flattened bottom section
- Heavily embossed grip area
- Silver-colored aluminum shift paddles



### **AMG Performance steering wheel in Nappa leather / DINAMICA (L6I)**

*Standard on the E 63 S.*

*Optional on the E43.*

- Features a flattened bottom section
- Grip is finished in DINAMICA microfiber
- Silver-colored aluminum shift paddles
- 12-o'clock marking



### **AMG Performance steering wheel in Nappa leather (L6J)**

*Optional on the E 63 S.*

- Features a flattened bottom section
- Perforated grip area
- Silver-colored aluminum shift paddles
- 12-o'clock marking



## Headlamps



### **LED Headlamps (632)**

*Standard on all models*

- Excellent illumination of the road
- New LED taillamps
- Distinctive look during day and night
- Low energy consumption
- Color of emitted light more similar to that of daylight
- Much longer bulb life



### **LED Intelligent Light System (640)**

*Optional on all models*

- Excellent illumination of the road
- Integrated LED daytime running lamps
- LED low-beam and LED high-beam technology
- New LED taillamps
- Adaptive Highbeam Assist automatic high-beam control
- Automatically activated low-speed cornering lights
- Headlamps move alongside steering input for significantly better illumination in bends
- Distinctive look during day and night

## *Headliner*



***designo* Black DINAMICA headliner w/ leather grab handles (61U)**

*Option price: \$1,600*

*Requires P02, P03 or P04 Package on the E 43*

*Requires Q03 or Q04 Package on the E 63 S*



***designo* Macchiato Beige DINAMICA headliner w/ leather grab handles (65U)**

*Option price: \$tba*

*Only available on the E 63 S.*

*Requires 555 upholstery, as well as P02, P03 or P04 Package*

## AMG Performance seats (555)



## *Edition 1 Exterior (1/2) (P88)*



- Edition 1 (P88) – **Non-Orderable**
- AMG Night Package (521)
- *designo* Night Black Magno (056)
- 20" AMG Forged Cross-Spoke Wheels (RTS)
- AMG Black Nappa leather w/ yellow topstitching (571)

## *Edition 1 Interior (2/2) (P88)*



- Edition 1 (P88) – **Non-Orderable**
- AMG Night Package (521)
- *designo* Night Black Magno (056)
- 20" AMG Forged Cross-Spoke Wheels (RTS)
- AMG Black Nappa leather w/ yellow topstitching (571)

## AMG Performance Exhaust System (U78)



### **AMG Performance Exhaust System (U78)**

*Option price: \$1,250 (E 63 S only)*

- Stronger differentiation of the sound characteristics by means of two additional exhaust flaps
- Sound characteristics dependent on selected drive program – clear differentiation between rich in drive programs “C” and “S” and emphatically sporty in drive programs “S+” and “Race” (only for E 63 S)
- Additional control of the sound characteristics by means of a button in the middle control panel of the center console
- Control by means of variably adjustable exhaust flaps – without loss of power
- Control of the exhaust gas flaps is dependent on both engine speed and load, ensuring 100% power delivery
- Double declutching (in “S”) and a misfire (in “S+” and “Race”) emphasize the sporty characteristics of the particular drive programs

## *AMG Night Package on the E 63 S (521)*



## *AMG Exterior Carbon Fiber Trim Package (773) on the E 63 S - (1/2)*





## AMG Exterior Carbon Fiber Trim Package (773) on the E 63 S - (2/2)



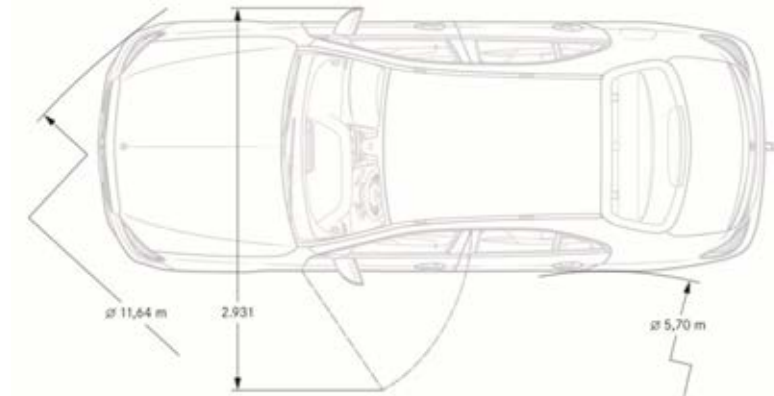
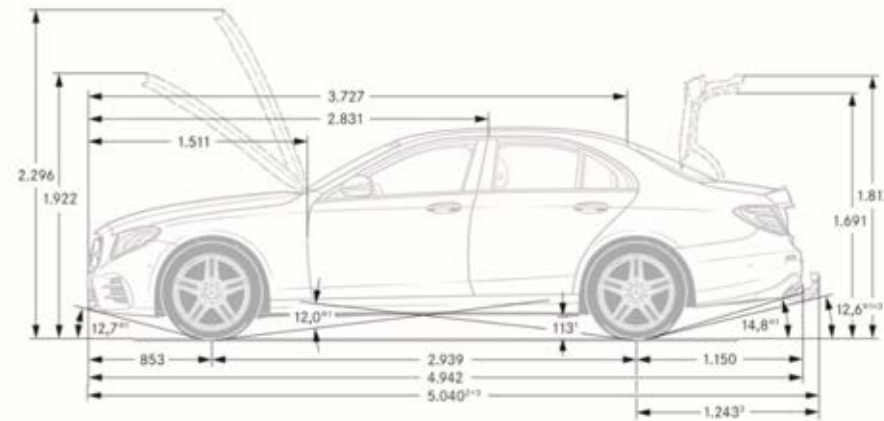
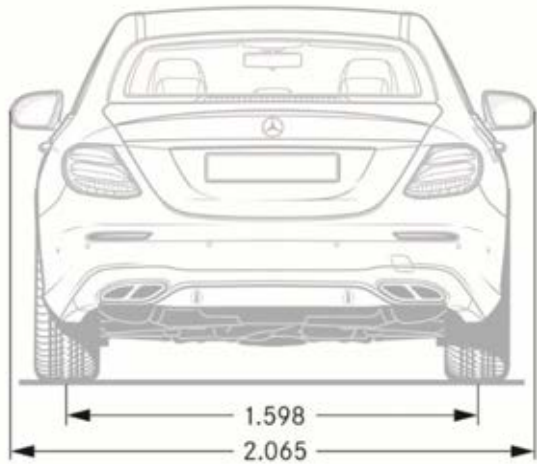
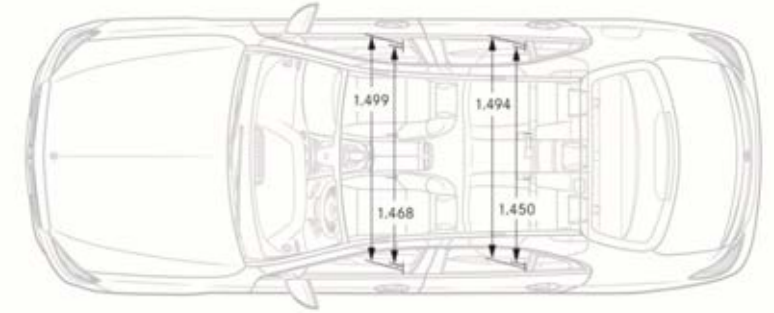
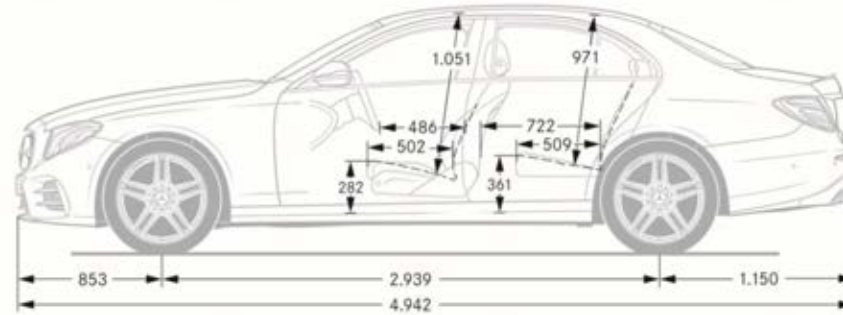
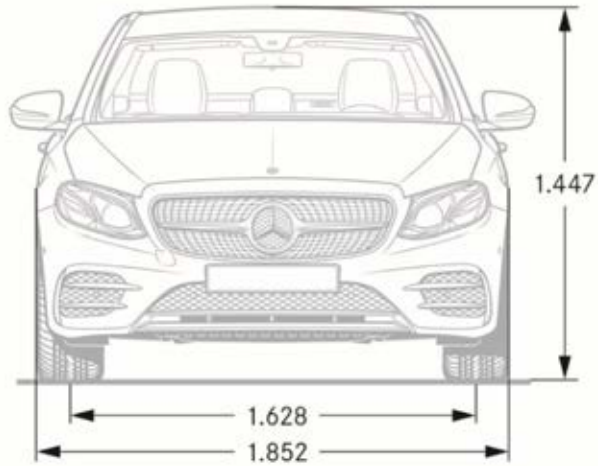
AMG carbon fiber rear spoiler



AMG carbon fiber exterior mirror covers

	<i>E 43</i>	<i>E 63 S</i>
Engine Configuration	AMG-enhanced 3.0L V6 biturbo engine	Handcrafted AMG 4.0L V8 biturbo engine
Power (hp)	396	603
Torque (lb-ft)	384	627
Displacement (cc)	2,996	3,982
Acceleration 0-60 mph (sec)	4.5	3.3
Fuel Economy (Cty/Hwy/Comb)	18 / 25 / 21	tba
Top Speed (mph)	130 (electronically limited)	186 (electronically limited)
Fuel Requirement (Octane)	91	91
# Valves per cylinder	4	4
Compression	10.7:1	8.6:1
Transmission	AMG-enhanced 9G-TRONIC	AMG SPEEDSHIFT® MCT
Transmission Speeds	9	9
Drive Configuration	AMG Performance 4MATIC	AMG Performance 4MATIC+ all-wheel drive
Fuel Tank Size (gallons)	21.1	21.1
Trunk Size (cubic feet)	19.1	19.1
Curb Weight (lbs)	4,145	4,515
Vehicle Length (in.)	194.6	196.4
Vehicle Width w/ exterior mirrors (in.)	81.3	81.3
Vehicle Height (in.)	57.0	56.6
Wheelbase (in.)	115.7	115.7
Track Width Front/Rear (in.)	64.1/62.9	64.9/62.8
Coefficient of Drag (Cd)	0.32	0.32

# Specifications\* – E 43 Sedan



# Specifications\* – E 63 S Sedan

